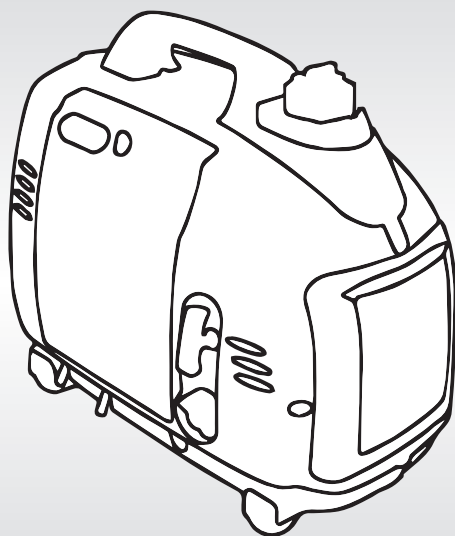


HONDA

GENERATOR

EU10i



**OWNER'S MANUAL
MANUEL DE L'UTILISATEUR
BEDIENUNGSANLEITUNG
MANUAL DEL PROPIETARIO
MANUALE DELL'UTENTE**

Honda EU10i

OWNER'S MANUAL

Original instructions

MANUEL DE L'UTILISATEUR

Notice originale

BEDIENUNGSANLEITUNG

Originalbetriebsanleitung

MANUAL DEL PROPIETARIO

Manual original

MANUALE DELL'UTENTE

Traduzione delle istruzioni originali

Thank you for purchasing a Honda generator.

This manual covers operation and maintenance of the EU10i generator.

All information in this publication is based on the latest product information available at the time of approval for printing.

Honda Motor Co., Ltd. reserves the right to make changes at any time without notice and without incurring any obligation.

No part of this publication may be reproduced without written permission.

This manual should be considered a permanent part of the generator and should remain with it if it is resold.

Pay special attention to statements preceded by the following words:

▲WARNING Indicates a strong possibility of severe personal injury or death if instructions are not followed.

CAUTION: Indicates a possibility of personal injury or equipment damage if instructions are not followed.

NOTE: Gives helpful information.

If a problem should arise, or if you have any questions about the generator, consult an authorized Honda dealer.

▲WARNING
Honda generator is designed to give safe and dependable service if operated according to instructions. Read and understand the Owner's Manual before operating the generator. Failure to do so could result in personal injury or equipment damage.

The illustration may vary according to the type.

CONTENTS

1. SAFETY INSTRUCTIONS.....	3
2. SAFETY LABEL LOCATIONS.....	7
• CE mark and noise label locations	11
3. COMPONENT IDENTIFICATION	12
4. PRE-OPERATION CHECK	16
5. STARTING THE ENGINE	21
• Carburetor Modification for High Altitude Operation.....	24
6. GENERATOR USE	25
7. STOPPING THE ENGINE	37
8. MAINTENANCE.....	39
9. TRANSPORTING/STORAGE	44
10.TROUBLESHOOTING	47
11.SPECIFICATIONS	49
12.WIRING DIAGRAM.....	51
RECEPTACLE	52
MAJOR Honda DISTRIBUTOR ADDRESSES	inside back cover
“EC Declaration of Conformity” CONTENT OUTLINE	inside back cover

1. SAFETY INSTRUCTIONS

IMPORTANT SAFETY INFORMATION

Honda generators are designed for use with electrical equipment that has suitable power requirements. Other uses can result in injury to the operator or damage to the generator and other property.

Most injuries or property damage can be prevented if you follow all instructions in this manual and on the generator. The most common hazards are discussed below, along with the best way to protect yourself and others.

Never attempt to modify the generator. It can cause an accident as well as damage to the generator and appliances. Tampering with the engine voids the EU type-approval of this engine.

- Do not connect an extension to the muffler.
- Do not modify the intake system.
- Do not adjust the governor.
- Do not remove the control panel or do not change the wiring of the control panel.

Operator Responsibility

Know how to stop the generator quickly in case of emergency.

Understand the use of all generator controls, output receptacles, and connections.

Be sure that anyone who operates the generator receives proper instruction. Do not let children operate the generator without parental supervision.

Be sure to observe the instructions in this manual for how to use the generator and maintenance information. Ignoring or improperly following the instructions can cause an accident such as an electric shock, and the condition of the exhaust gas may deteriorate.

Obey all applicable laws and regulations where the generator is used.

Gasoline and Oil is toxic. Follow the instructions provided by each manufacturer before use.

Place the generator on a firm level place before operation.

Do not operate the generator with any cover removed. You may get your hand or foot caught in the generator and it may cause accident.

Consult your authorized Honda dealer for disassembly and service of the generator that are not covered in this manual.

Carbon Monoxide Hazards

Exhaust contains poisonous carbon monoxide, a colorless, odorless gas. Breathing exhaust can cause loss of consciousness and may lead to death.

If you run the generator in an area that is confined, or even partially enclosed area, the air you breathe could contain a dangerous amount of exhaust gas.

Never run your generator inside a garage, house, or near open windows or doors.

Electric Shock Hazards

The generator produces enough electric power to cause a serious shock or electrocution if misused.

Using a generator or electrical appliance in wet conditions, such as rain or snow, or near a pool or sprinkler system, or when your hands are wet, could result in electrocution.

Keep the generator dry.

If the generator is stored outdoors, unprotected from the weather, check all of the electrical components on the control panel before each use. Moisture or ice can cause a malfunction or short circuit in electrical components that could result in electrocution.

If you get an electric shock, consult a doctor and have medical treatment immediately.

Fire and Burn Hazards

Do not use the generator in areas with a high risk of fire.

The exhaust system gets hot enough to ignite some materials.

- Keep the generator at least 1 meter (3 feet) away from buildings and other equipment during operation.
- Do not enclose the generator in any structure.
- Keep flammable materials away from the generator.

Some parts of the internal combustion engine are hot and may cause burns. Pay attention to the warnings on the generator.

The muffler becomes very hot during operation and remains hot for a while after stopping the engine. Be careful not to touch the muffler while it is hot. Let the engine cool before storing the generator indoors.

Do not pour the water directly on the generator to put out the fire when it occurs. Use an appropriate fire extinguisher specially designed for electric fire or oil fire.

If you inhale fumes produced by an accidental fire with the generator, consult a doctor and have medical treatment immediately.

Refuel With Care

Gasoline is extremely flammable, and gasoline vapor can explode. Allow the engine to cool if the generator has been in operation.

Refuel only outdoors in a well ventilated area with the engine off.

Do not refuel during operation.

Do not overfill the fuel tank.

Never smoke near gasoline, and keep other flames and sparks away.

Always store gasoline in an approved container.

Make sure that any spilled fuel has been wiped up before starting the engine.

Explosion proof

This generator is not compliant with explosion proof.

Disposal

To protect the environment, do not dispose of the used generator, battery, engine oil, etc. carelessly by leaving them in the waste.

Observe the local laws or regulations or consult your authorized Honda generator dealer to dispose of these parts.

Please dispose of used motor oil in a manner that is compatible with the environment. We suggest you take it in a sealed container to your local service station for reclamation. Do not throw it in the trash or pour it on the ground.

An improperly disposed battery can hurt the environment. Always confirm local regulations for battery disposal. Contact your servicing dealer for a replacement.

Disposing of generator



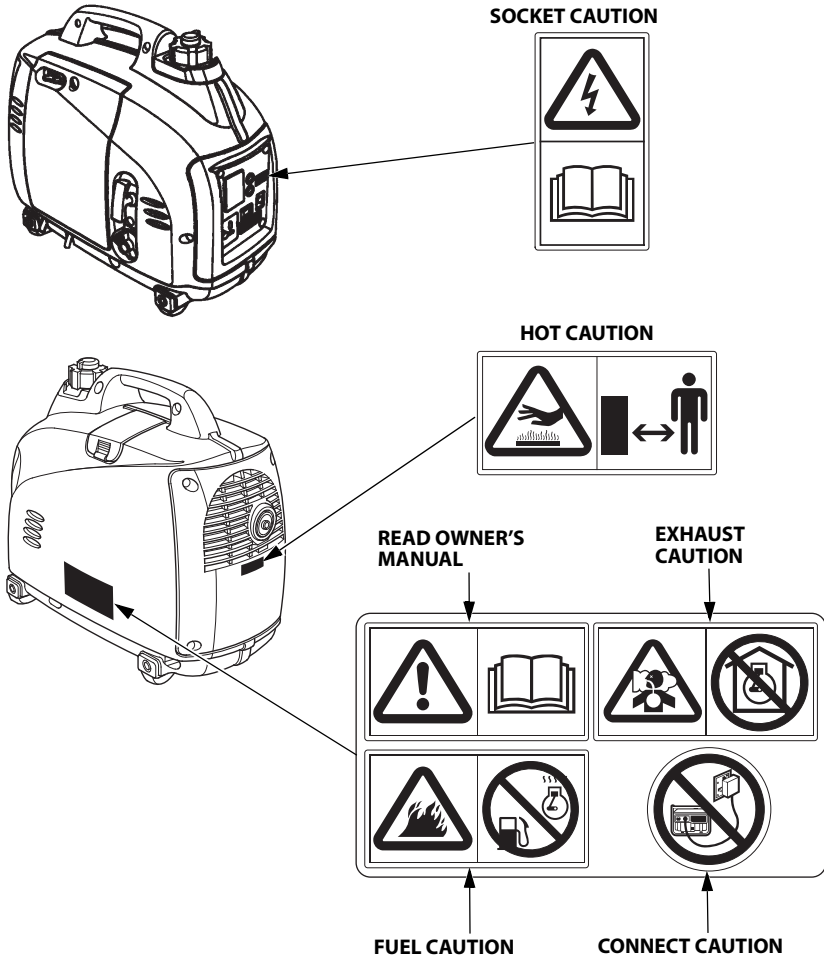
Do not dispose of electric equipment together with household waste material. If electrical appliances are disposed of in landfills or dumps, substances can leak and react and enter into the foodchain, damaging your health and well-being. For further information on the disposal of this product, please contact your dealer or your nearest domestic waste collection service.

2. SAFETY LABEL LOCATIONS

These labels warn you of potential hazards that can cause serious injury. Read the labels and safety notes and precautions described in this manual carefully.

If a label comes off or becomes hard to read, contact your servicing dealer for a replacement.

For European model: G, GW1, B, F, W, CL types

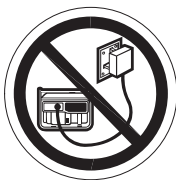




- **Honda generator is designed to give safe and dependable service if operated according to instructions. Read and understand the Owner's Manual before operating the generator. Failure to do so could result in personal injury or equipment damage.**



- **Exhaust contains poisonous carbon monoxide, a colorless, odorless gas. Breathing carbon monoxide can cause loss of consciousness and may lead to death.**
- **If you run the generator in an area that is confined, or even partially enclosed area, the air you breathe could contain a dangerous amount of exhaust gas.**
- **Never run your generator inside a garage, house or near open windows or doors.**



- **Improper connections to a building's electrical system can allow current from the generator to backfeed into the utility lines. Such backfeed may electrocute utility company workers or others who contact the lines during a power outage, and the generator may explode, burn, or cause fires when utility power is restored. Consult the utility company or a qualified electrician prior to making any power connections.**



- **Gasoline is highly flammable and explosive.**
Turn the engine off and let it cool before refueling.



- **Connect and remove the receptacle box for parallel operation with the engine stopped.**
- **For single operation, the receptacle box for parallel operation must be removed.**



- **A hot exhaust system can cause serious burns.**
Avoid contact if the engine has been running.

U type and CL type

[CL type]

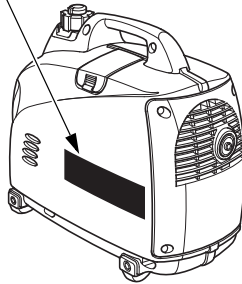
ADVERTENCIA DE SEGURIDAD De acuerdo a la resolución exenta N° 1495 de la SEC.

- La gasolina es altamente inflamable y explosiva.
 Usarla puede resultar con quemaduras o seramente herido si la gasolina se enciende.
- Antes de rellenar con combustible, detenga el motor y mantenga lejos las fuentes de calor, chispas y llamas.
 - Mantenga el combustible solamente en espacios abiertos.
 - No fume el estanco de combustible sobre su nivel máximo.
 - Limpie inmediatamente cualquier salpicadura de combustible.
 - Después de funcionar, lleve el interruptor de encendido y la tapa del estanco de combustible a la posición "OFF" para prevenir fugas de combustible.
 - Los gases de escape contienen monóxido de carbono que es venenoso, y puede ser peligroso al inhalarse en espacios cerrados.
 - Respirar monóxido de carbono puede dejarlo inconsciente o causar la muerte.
 - Nunca opere el generador en espacios cerrados o incluso parcialmente cerrados, cuando exista gente presente.

- Conexiones mal realizadas hacia un inmueble, puede permitir que la corriente fluya en sentido inverso hacia el generador, creando un potencial riesgo de electrocución.
- Las conexiones a un inmueble deben aislar la corriente del generador de la red pública, y deben cumplir con las leyes correspondientes y códigos de seguridad eléctricos.
 - El generador es una fuente potencial de choques eléctricos si no se mantiene en un ambiente seco.
 - No espere al generador a humedad, lluvia o nieve.
 - No opere el generador con las manos húmedas.
 - Un sistema de escape caliente puede causarle serias quemaduras.
 - Evite el contacto si el motor ha estado funcionando

Lea cuidadosamente el manual del propietario antes de operar el equipo.

Honda Motor de Chile S.A. San Ignacio 031, Quilicura, Santiago



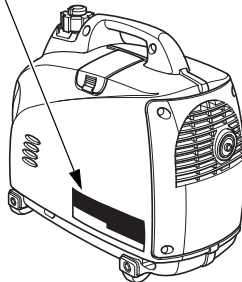
[U type]

CAUTION

- DO NOT USE INDOORS DUE TO DANGER OF CARBON MONOXIDE POISONING.
- DO NOT CONNECT THE RECEPTACLE OF THE GENERATOR TO HOUSE WIRING.
- STOP THE ENGINE BEFORE REFUELLING.
- CHECK FOR SPILLED FUEL OR FUEL LEAKS.
- DO NOT FILL THE FUEL TANK BEYOND THE UPPER LIMIT LINE.
- FOR DETAILED EXPLANATION, READ THE OWNERS MANUAL.
- WHEN STORED OR IN TRANSIT, MAKE CERTAIN THAT THE ENGINE SWITCH AND THE FUEL TANK CAP LEVER ARE IN "OFF" POSITION TO PREVENT FUEL LEAKS.
- BE SURE TO CONNECT ONLY THE SPECIAL LEAD TO THE PARALLEL OPERATION RECEPTACLE.

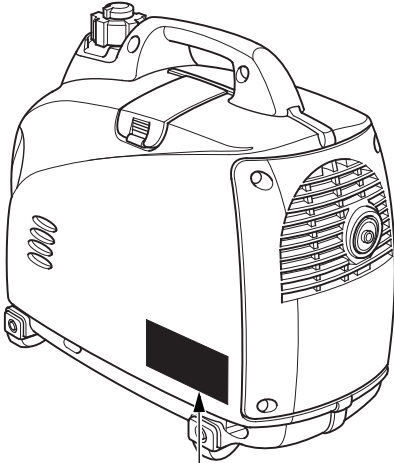
ATTENTION

- NE PAS UTILISER DANS UN LOCAL CLOS OU LES VAPEURS NOCIVES DE MONOXYDE DE CARBONE PEUVENT S'ACCUMULER.
- NE JAMAIS CONNECTER LE GROUPE ELECTROGENE A UNE PRISE DE SECTEUR.
- ARRÊTER LE MOTEUR AVANT DE FAIRE LE PLEIN D'ESSENCE.
- CONTRÔLER OÙ IL Y A UNE FUTE D'ESSENCE, NI D'ESSENCE REPANDEE SUR L'APPAREIL.
- NE PAS REMPLIR LE RESERVOIR D'ESSENCE AU-DESSUS DU REPERE DE NIVEAU MAXIMUM.
- POUR PLUS D'INFORMATIONS, LIRE LE MANUEL DE L'UTILISATEUR.
- QUAND LE GROUPE ELECTROGENE EST REMISE OU TRANSPORTE, S'ASSURER QUE LE CONTACT D'ARRÊT DU MOTEUR ET LA MISE A L'AIR LIBRE DU RESERVOIR D'ESSENCE SONT SUR LA POSITION "OFF" AFIN D'ÉVITER TOUTE FUTE D'ESSENCE.
- CONNECTER UNIQUEMENT LE CORDON SPÉCIAL À LA PRISE POUR UTILISATION EN PARALLÈLE.



• CE mark and noise label locations

G, GW1, B, F, W, CL types



• CE MARK

NOISE LABEL

Performance class

Quality class

IP code

Dry mass (weight)

Name and address of authorized representative and importer

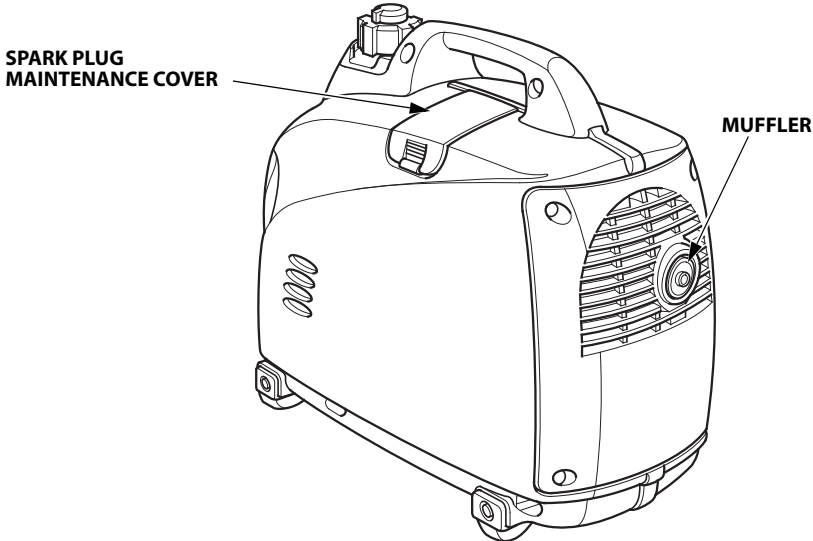
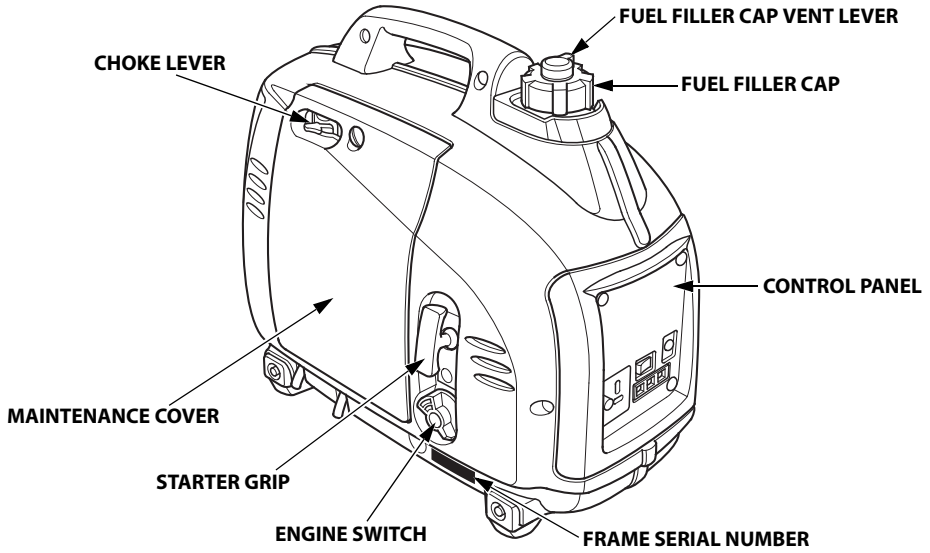
Year of manufacture

Manufacturer and address

L _{WA} 87 dB		EU10i CE Low-power generating set EN ISO 8528-13		
Maximum power	MAX 1.0 kW	50 Hz	G1	
Rated power	COP 0.9 kW	230 V	A	
Rated power factor	1.0	3.9A	IP23M	
Year of Mfg.	Mass		kg	

Name and address of manufacturer, authorized representative and importer are written in the “EC Declaration of Conformity” CONTENT OUTLINE in this Owner’s Manual.

3. COMPONENT IDENTIFICATION



Record the frame serial number in the space below. You will need this serial number when ordering parts.

Frame serial number: _____

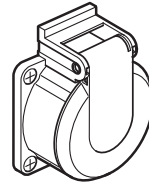
CONTROL PANEL

G, B, W, CL types

F, GW1 types

AC RECEPTACLE

AC RECEPTACLE



PARALLEL OPERATION SOCKETS

ECO THROTTLE SWITCH

GROUND TERMINAL

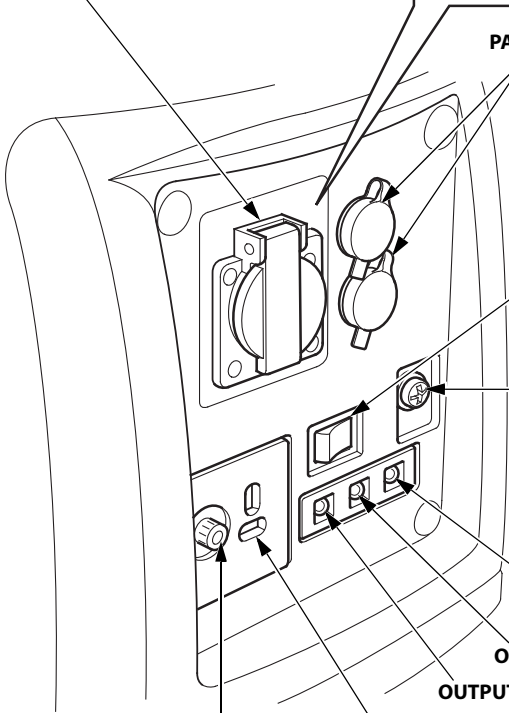
OIL ALERT INDICATOR

OVERLOAD INDICATOR

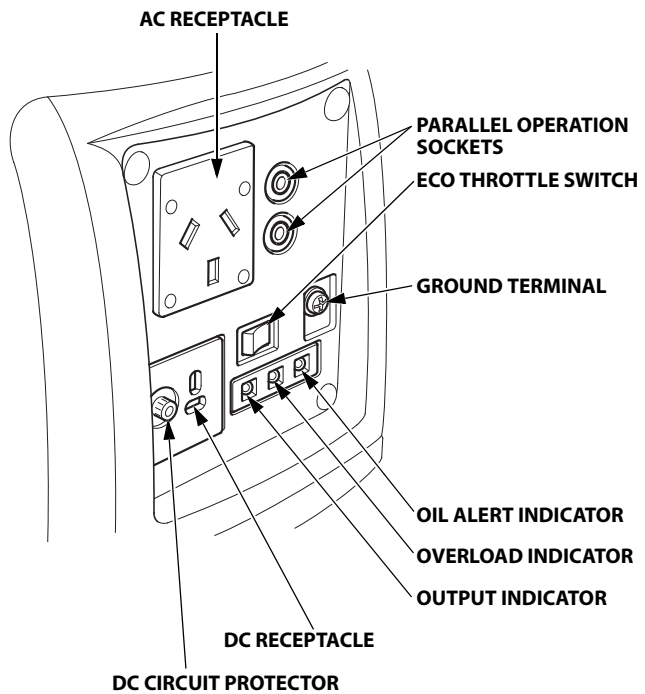
OUTPUT INDICATOR

DC RECEPTACLE

DC CIRCUIT PROTECTOR



U type



Eco Throttle

ECO:

Engine speed is kept at idle automatically when the electrical appliance is disconnected and it returns to the proper speed by the electrical load when electrical appliance is connected. This position is recommended to minimize the fuel consumption while in operation.

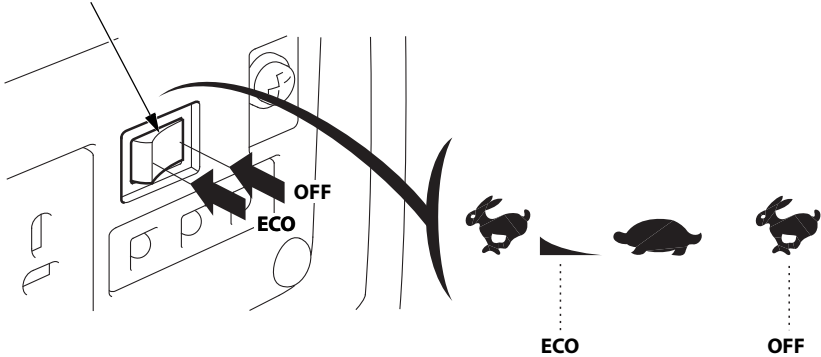
NOTE:

- Eco Throttle system does not operate sufficiently if the electrical appliance requires the momentary electric power.
- When high electrical load appliances is connected simultaneously, turn the Eco Throttle switch to the OFF position to reduce voltage changes.
- In DC operation, turn the Eco Throttle switch to the OFF position.

OFF:

Eco Throttle system does not operate. Engine speed is kept in the range on the Engine speed (with Eco Throttle off) in the "SPECIFICATIONS" page.

ECO THROTTLE SWITCH



4. PRE-OPERATION CHECK

CAUTION:

Be sure to check the generator on a level surface with the engine stopped.

Before each use, look around and underneath the engine for signs of oil or gasoline leaks.

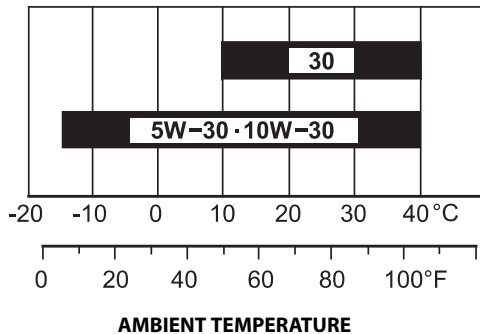
1. Check the engine oil level.

CAUTION:

Using non detergent oil or 2-stroke engine oil could shorten the engine's service life.

Recommended oil

Use 4-stroke motor oil that meets or exceeds the requirements for API service category SE or later (or equivalent). Always check the API service label on the oil container to be sure it includes the letters SE or later (or equivalent). Read the instruction on the oil container before use.



SAE 10W-30 is recommended for general use. Other viscosities shown in the chart may be used when the average temperature in your area is within the indicated range.

Lubrication oil specifications necessary to maintain the performance of the emissions control system: Honda genuine oil.

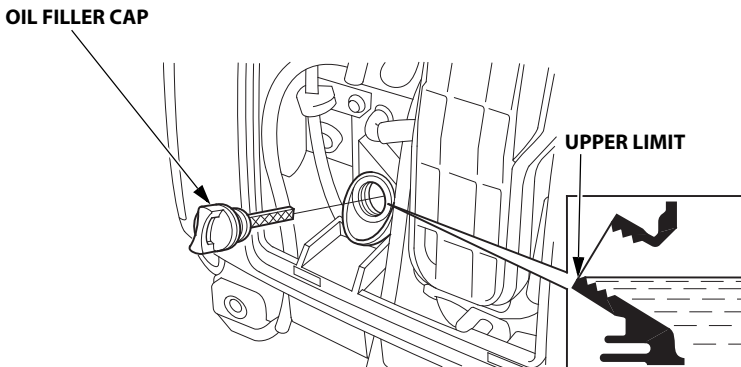
-
- (1) Loosen the maintenance cover screw and remove the maintenance cover (see page 40).
 - (2) Remove the oil filler cap.
 - (3) Check the oil level. If it is below the upper limit, fill with the recommended oil (see page 16) to the upper limit.
 - (4) Reinstall the oil filler cap securely.

CAUTION:

Running the engine with insufficient oil can cause serious engine damage.

NOTE:

The Oil Alert system will automatically stop the engine before the oil level falls below the safe limit. However, to avoid the inconvenience of an unexpected shutdown, it is still advisable to visually inspect the oil level regularly.



2. Check the fuel level.

If the fuel level is low, refuel the fuel tank until the level as specified. After refueling, tighten the fuel filler cap securely.

Recommended Fuel

Unleaded gasoline
Research octane rating 91 or higher
Pump octane rating 86 or higher

This engine is certified to operate on unleaded gasoline with a research octane rating of 91 or higher (a pump octane rating of 86 or higher).

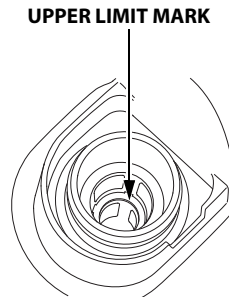
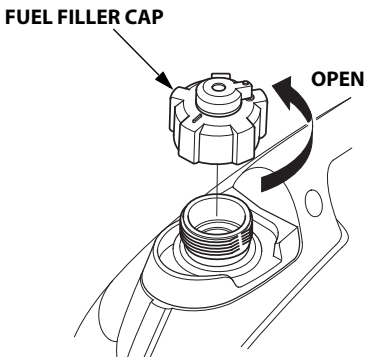
Fuel specification(s) necessary to maintain the performance of the emissions control system: E10 fuel referenced in EU regulation.

Never use gasoline that is stale, contaminated, or mixed with oil.

Avoid getting dirt or water in the fuel tank.

▲WARNING

- **Gasoline is extremely flammable and is explosive under certain conditions.**
- **Refuel in a well ventilated area with the engine stopped. Do not smoke or allow flames or sparks in the area where the engine is refueled or where gasoline is stored.**
- **Do not overfill the fuel tank (there should be no fuel above the upper limit mark). After refueling, make sure the fuel filler cap is closed properly and securely.**
- **Be careful not to spill fuel when refueling. Spilled fuel or fuel vapor may ignite. If any fuel is spilled, make sure the area is dry before starting the engine.**
- **Avoid repeated or prolonged contact with skin or breathing of vapor. KEEP OUT OF REACH OF CHILDREN.**



NOTE:

Gasoline spoils very quickly depending on factors such as light exposure, temperature and time.

In worst cases, gasoline can be contaminated within 30 days.

Using contaminated gasoline can seriously damage the engine (carburetor clogged, valve stuck).

Such damage due to spoiled fuel is disallowed from coverage by the warranty.

To avoid this please strictly follow these recommendations:

- Only use specified gasoline (see page 17).
- Use fresh and clean gasoline.
- To slow deterioration, keep gasoline in a certified fuel container.
- If long storage (more than 30 days) is foreseen, drain fuel tank and carburetor (see page 45).

Gasolines Containing Alcohol

If you decide to use a gasoline containing alcohol (gasohol), be sure its octane rating is at least as high as that recommended by Honda.

There are two types of "gasohol": one containing ethanol, and the other containing methanol.

Do not use gasohol that contains more than 10% ethanol.

Do not use gasoline containing more than 5% methanol (methyl or wood alcohol) and that does not also contain co-solvents and corrosion inhibitors for methanol.

NOTE:

- Fuel system damage or engine performance problems resulting from the use of gasoline that contains more alcohol than recommended is not covered under the warranty.
- Before buying gasoline from an unfamiliar station, first determine if the gasoline contains alcohol, if it does, find out the type and percentage of alcohol used.

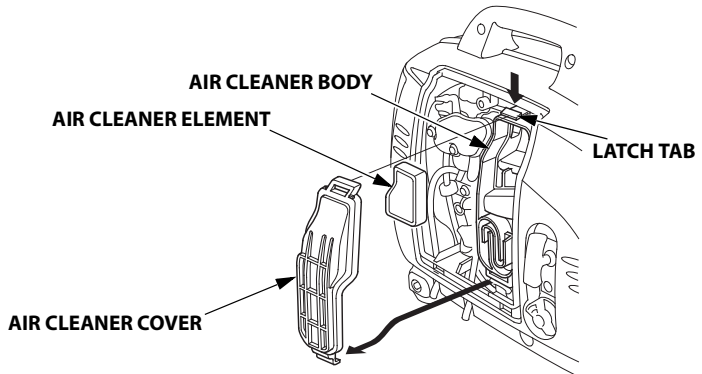
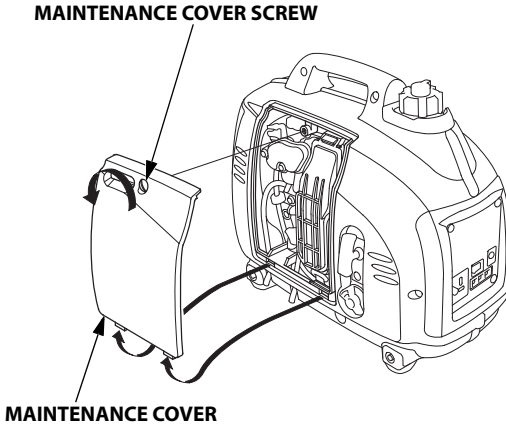
If you notice any undesirable operating symptoms while using a particular gasoline. Switch to a gasoline that you know contains less than the recommended amount of alcohol.

3. Check the air cleaner.

Check the air cleaner element to be sure it is clean and in good condition. Loosen the maintenance cover screw and remove the maintenance cover. Press the latch tab on the top of the air cleaner body, remove the air cleaner cover, check the element. Clean or replace the element if necessary (see page 41).

CAUTION:

Never run the engine without the air cleaner element. Rapid engine wear will result from contaminants, such as dust and dirt, being drawn through the carburetor, into the engine.



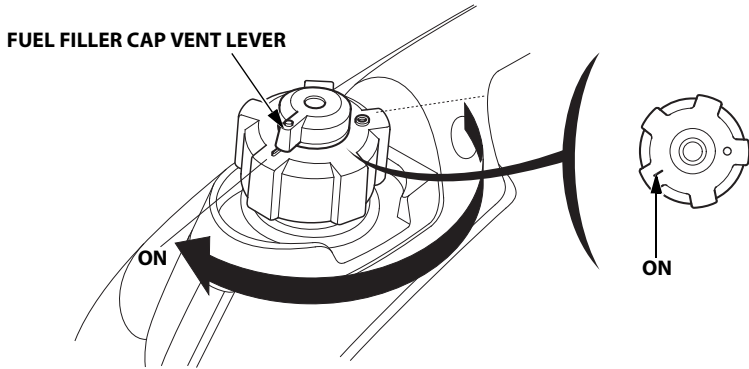
5. STARTING THE ENGINE

Before starting the engine disconnect any load from the AC receptacle.

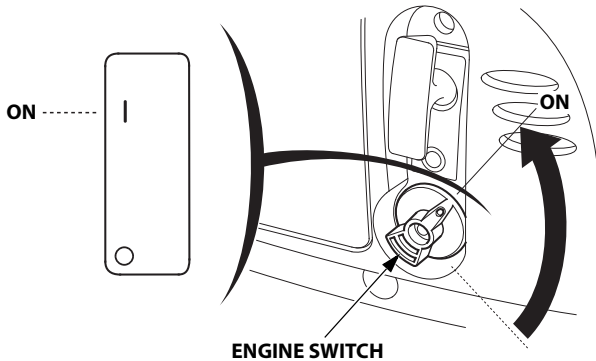
1. Turn the fuel filler cap vent lever fully clockwise to the ON position.

NOTE:

Turn the fuel filler cap vent lever to the OFF position when transporting the generator.



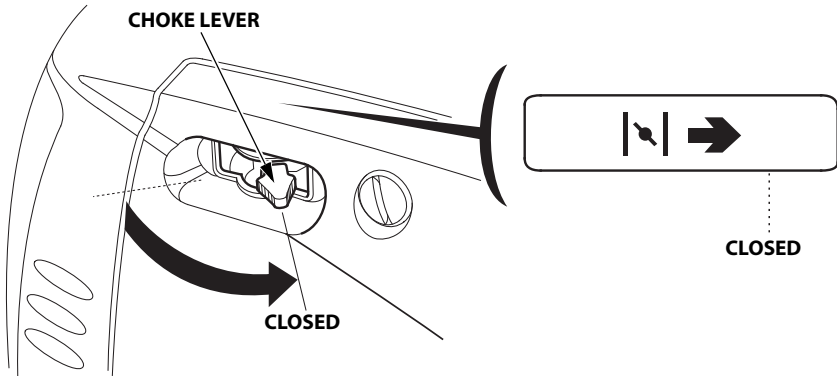
2. Turn the engine switch to the ON position.



3. Move the choke lever to the CLOSED position.

NOTE:

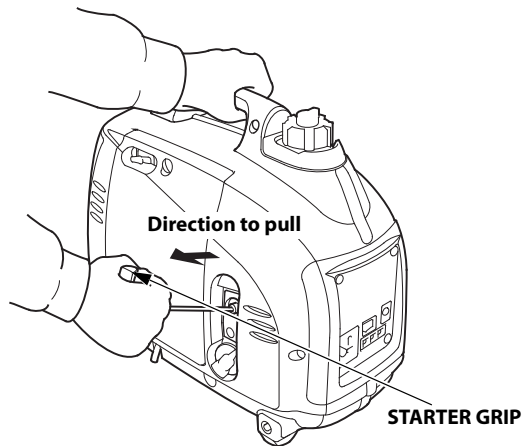
Do not use the choke when the engine is warm or the air temperature is high.



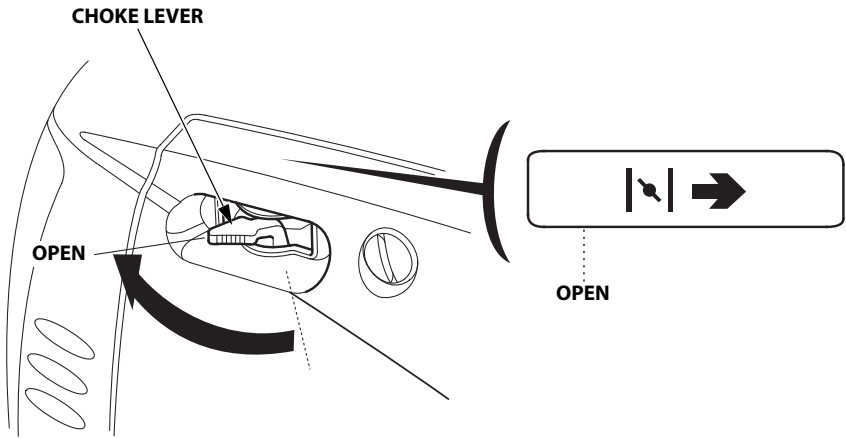
4. Pull the starter grip lightly until you feel resistance, then pull the starter grip briskly toward in the direction of the arrow as shown below.

CAUTION:

- **The starter grip can be drawn back very quickly before you release it. This may pull your hand forcefully toward the engine and cause an injury.**
- **Do not allow the starter grip to snap back. Return it slowly by hand.**



5. Move the choke lever to the OPEN position as the engine warms up.



NOTE:

If the engine stops and will not restart, check the engine oil level (see page 17) before troubleshooting in other areas.

• Carburetor Modification for High Altitude Operation

At high altitude, the standard carburetor air-fuel mixture will be too rich. Performance will decrease, and fuel consumption will increase. A very rich mixture will also foul the spark plug and cause hard starting. Operation at an altitude that differs from that at which this engine was certified, for extended periods of time, may increase emissions.

High altitude performance can be improved by specific modifications to the carburetor. If you always operate your generator at altitudes above 610 meters (2,000 feet), have your servicing dealer perform this carburetor modification. This engine, when operated at high altitude with the carburetor modifications for high altitude use, will meet each emission standard throughout its useful life.

Even with carburetor modification, engine horsepower will decrease about 3.5% for each 300-meter (1,000-foot) increase in altitude. The effect of altitude on horsepower will be greater than this if no carburetor modification is made.

CAUTION:

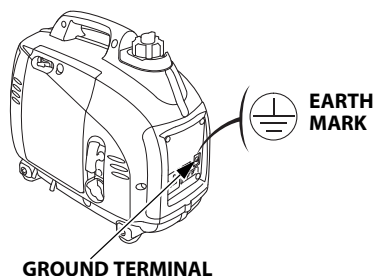
When the carburetor has been modified for high altitude operation, the air-fuel mixture will be too lean for low altitude use. Operation at altitudes below 610 meters (2,000 feet) with a modified carburetor may cause the engine to overheat and result in serious engine damage. For use at low altitudes, have your servicing dealer return the carburetor to original factory specifications.

6. GENERATOR USE

The generator produces enough electric power to cause a serious shock or electrocution if misused.

Be sure to ground the generator when the connected appliance is grounded.

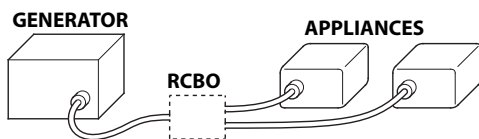
To ground the terminal of the generator, use a copper wire with same or larger diameter than the cord of the connected appliance.



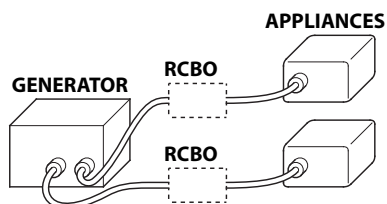
Use extension cord set with ground conductor when connecting an appliance with ground conductor.

To identify the Ground pin in the plug, see RECEPTACLE page 52.

Connect a RCBO (Residual current circuit breaker with overload protection) of 30 mA ground fault detection and cut-off of less than 0.4 seconds at more than 30 A of output current, if you are using two or more appliance. Follow the instructions provided by each RCBO manufacturer before use.



Connecting with one RCBO



Connecting with two RCBO

⚠ WARNING

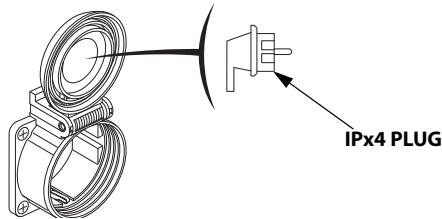
Improper connections to a building's electrical system can allow current from the generator to backfeed into the utility lines. Such backfeed may electrocute utility company workers or others who contact the lines during a power outage, and the generator may explode, burn, or cause fires when utility power is restored. Consult the utility company or a qualified electrician prior to making any power connections.

CAUTION:

- Do not exceed the current limit specified for any one receptacle.
- Do not modify or use the generator for other purposes than it is intended for. Also observe the following when using the generator.
- Do not connect an extension to the exhaust pipe.
- When an extension cable is required, be sure to use a tough rubber sheathed flexible cable (IEC 245 or equivalent).
When using an extension cable the resistance value shall not exceed 1.5 Ω .
- Limit length of extension cables; 60 m (200 feet) for cables of 1.5 mm² (0.0023 in²) and 100 m (330 feet) for cables of 2.5 mm² (0.0039 in²). Long extension cables will lower usable power due to resistance in the extension cable.
- Keep the generator away from other electric cables or wires such as commercial power supply lines.

▲WARNING**GW1 Type**

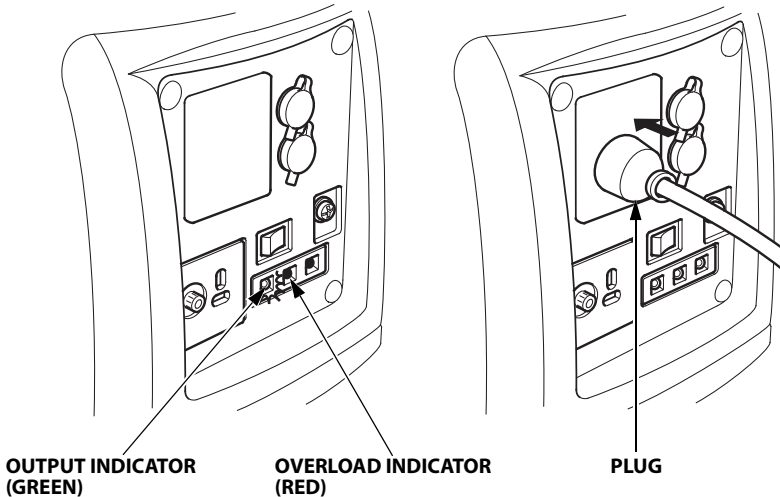
When connecting an angled plug, be sure to use only a IPx4 plug.

**NOTE:**

- Most appliance motors require more than their rated wattage for startup. Make sure the electrical rating of the tool or appliance does not exceed the maximum power rating of the generator.
Maximum power is: 1.0 kVA
- For continuous operation, do not exceed the rated power.
Rated power is: 0.9 kVA
- In either case, the total power requirements (VA) of all appliances connected must be considered.
- The DC receptacle can be used while the AC power is in use.
If you use both at the same time, do not exceed the maximum AC power.
Maximum AC power: 0.8 kVA

AC applications

1. Start the engine and make sure the green Output indicator comes ON.
2. Confirm that the appliance to be used is switched off, and plug in the appliance.



CAUTION:

- **Substantial overloading that continuously lights the Overload indicator (red) may damage the generator. Marginal overloading that temporarily lights the Overload indicator (red) may shorten the service life of the generator.**
- **Be sure that all appliances are in good working order before connecting them to the generator. Electrical equipment (including lines and plug connections) should not be defective. If an appliance begins to operate abnormally, becomes sluggish, or stops suddenly, turn off the generator engine switch immediately. Then disconnect the appliance, and examine it for signs of malfunction.**

Output and Overload Indicators

The Output indicator (green) will remain ON during normal operating conditions.

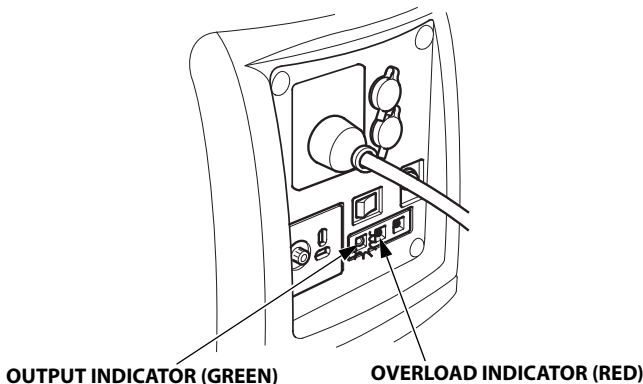
In addition, the Output indicator has a simplified hour meter function. When you start the engine, the indicator blinks according to the generator's cumulative operating hours as follows:

- No blinks: 0–100 hours
- 1 blink: 100–200 hours
- 2 blinks: 200–300 hours
- 3 blinks: 300–400 hours
- 4 blinks: 400–500 hours
- 5 blinks: 500 or more hours

If the generator is overloaded (in excess of 1.0 kVA), or if there is a short in the connected appliance, the Output indicator (green) will go OFF, the Overload indicator (red) will go ON and current to the connected appliance will be shut off.

Stop the engine if the Overload indicator (red) comes ON and investigate the overload source.

- Before connecting an appliance to the generator, check that it is in good order, and that its electrical rating does not exceed that of the generator. Then connect the power cord of the appliance, and start the engine.



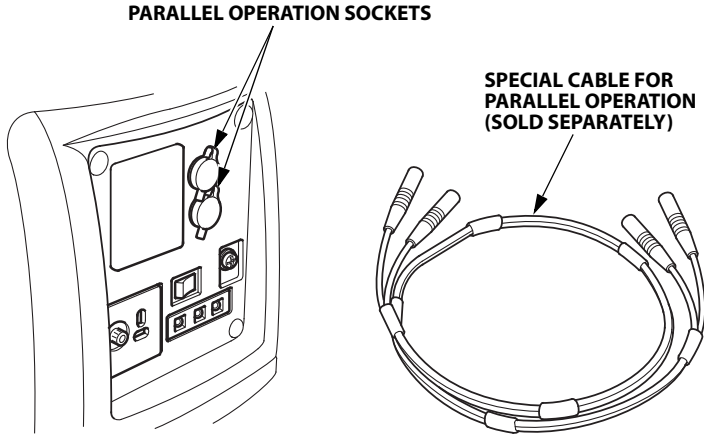
NOTE:

When an electric motor is started, both the Overload indicator (red) and the Output indicator (green) may go ON simultaneously. This is normal if the Overload indicator (red) goes OFF after about 4 seconds. If the Overload indicator (red) stays ON, consult your generator dealer.

Parallel operation

Please read the item "GENERATOR USE" before connecting any equipment to be used.

Use only a special cable for parallel operation (sold separately).



Most appliance motors require more than their rated wattage for startup. Make sure the electrical rating of the tool or appliance does not exceed the maximum power rating of the generator.

Maximum power in parallel operation is: 2.0 kVA

For continuous operation, do not exceed the rated power.

Rated power in parallel operation is: 1.8 kVA

In either case, the total power requirements (VA) of all appliances connected must be considered.

CAUTION:

Substantial overloading that continuously lights the Overload indicator (red) may damage the generator. Marginal overloading that temporarily lights the Overload indicator (red) may shorten the service life of the generator.

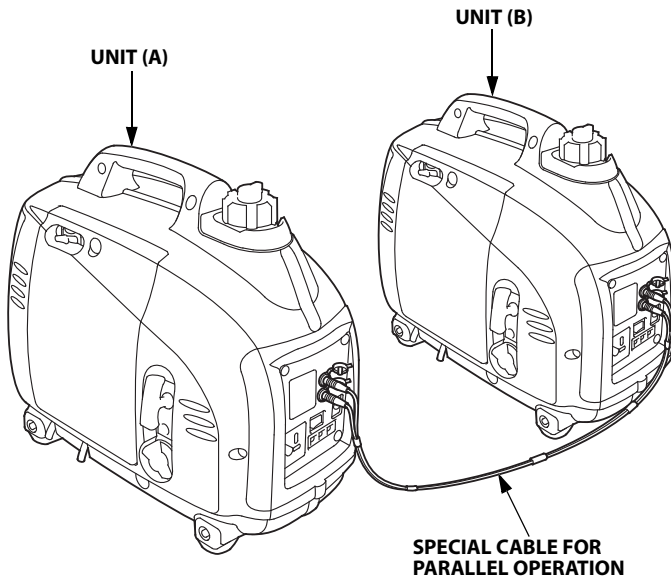
▲WARNING

- **Never connect the different generator models and types.**
- **Never connect a cable other than the special cable for parallel operation.**
- **Connect and remove the special cable for parallel operation with the engine stopped.**
- **For single operation, the special cable for parallel operation must be removed.**

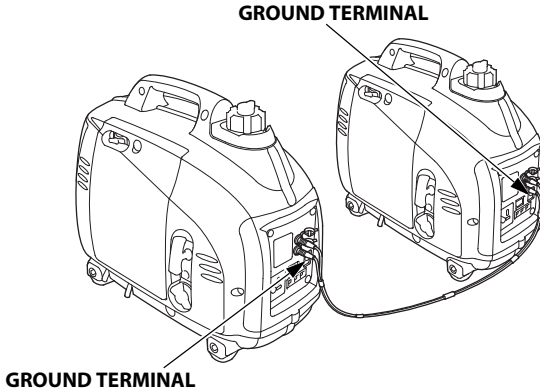
NOTE:

- Depending on the equipment to be used, an overload may be caused, the Overload indicator (red) may light, and it may become impossible to take out any more electric power.
- Motors generally require two to three times of their power consumption for starting.

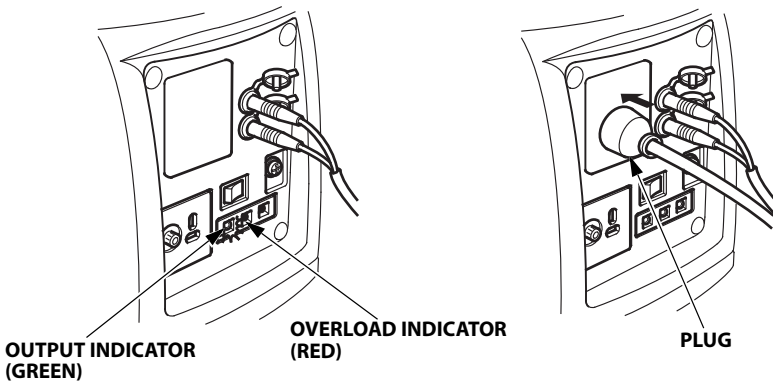
1. Connect the special cable for parallel operation to the two generators.



-
2. Be sure to ground the generator when the connected equipment is grounded.



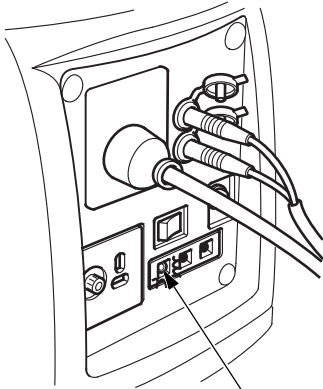
3. Start each engine according to "STARTING THE ENGINE".
- When the Output indicator (green) does not light and the Overload indicator (red) lights instead, set the engine switch to the OFF position, stop the engine once, and then start the engine again.
4. Confirm that the equipment to be used is switched off, and insert the plug of the equipment to be used into the AC receptacle of unit (A) or unit (B).



CAUTION:
Confirm that the use equipment to be connected is switched off.
When the equipment to be used is switched on, it will operate suddenly,
and injuries or accidents may be caused.

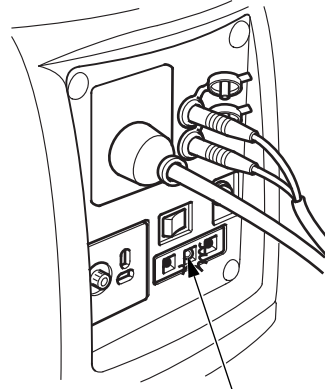
-
5. Switch on the equipment to be used.
The Output indicator (green) will light.

In case of normal operation



OUTPUT INDICATOR (GREEN)

In case of overload operation or short-circuit



OVERLOAD INDICATOR (RED)

- In case of overload operation (refer to page 29) or when trouble occurs for the equipment being used, the Output indicator (green) will go out, the Overload indicator (red) will light continuously, and no power will be put out. At this time, the engine will not stop, so that the engine must be stopped by setting the respective engine switch to the OFF position.

NOTE:

- When equipment requiring a large starting power, like a motor etc., is used, the Overload indicator (red) and the Output indicator (green) may light together for a short time (about 4 seconds), but this is no abnormality. After start of the equipment, the Overload indicator (red) will go out and the Output indicator (green) will stay lit.
 - When the operation of one generator is to be stopped after start of the equipment, the special cable for parallel operation also must be removed at the same time.
6. When electric power is to be taken again from the generator, switch off the equipment to be used and remove the plug from the AC receptacle. Confirm that the equipment and the connection are normal and that not too much power is to be taken, and then start the engine.

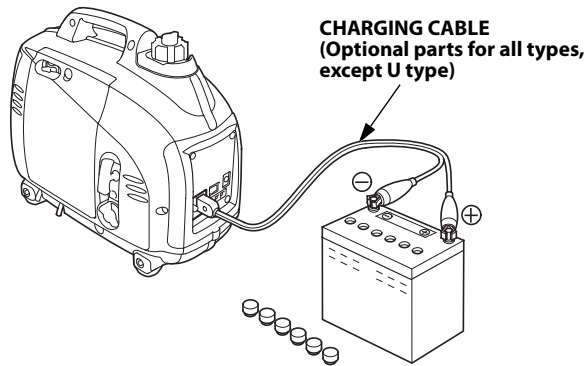
DC Application

The DC receptacle may be used for charging 12 volt automotive-type batteries only.

NOTE:

In DC operation, turn the Eco Throttle switch to the OFF position.

1. Connect the charging cable to the DC receptacle of the generator and then to the battery terminals.



⚠ WARNING

- To prevent the possibility of creating a spark near the battery, connect charging cable first to the generator, then to the battery. Disconnect cable first at the battery.
- Before connecting charging cable to a battery that is installed in a vehicle, disconnect the vehicle's battery cable. Reconnect the vehicle's battery cable after the charging cables are removed. This procedure will prevent the possibility of a short circuit and sparks if you make accidental contact between a battery terminal and the vehicle's frame or body.

CAUTION:

- Do not attempt to start an automobile engine with the generator still connected to the battery. The generator may be damaged.
- Connect the positive battery terminal to the positive charging cord. Do not reverse the charging cables, or serious damage to the generator and/or battery may occur.

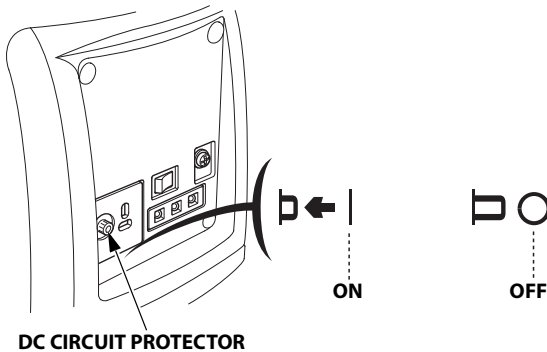
▲WARNING

- **Batteries produce explosive gases: If ignited, and explosion can cause serious injury or blindness. Provide adequate ventilation when charging.**
- **CHEMICAL HAZARD: Battery electrolyte contains sulfuric acid. Contact with eyes or skin, even through clothing, may cause severe burns. Wear a face shield and protective clothing.**
- **Keep flames and sparks away, and do not smoke in the area. ANTIDOTE: If electrolyte gets into your eyes, flush thoroughly with warm water for at least 15 minutes and call a physician immediately.**
- **POISON: Electrolyte is poison.**
ANTIDOTE
 - **External: Flush thoroughly with water.**
 - **Internal: Drink large quantities of water or milk.**
Follow with milk of magnesia or vegetable oil, and call a physician immediately.
- **KEEP OUT OF REACH OF CHILDREN.**

2. Start the engine.

NOTE:

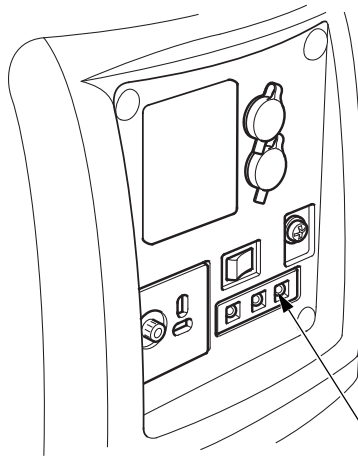
- The DC receptacle can be used while the AC power is in use.
- An overload DC circuit will trip the DC circuit protector (push button comes out).
If this happens, wait a few minutes before pushing in the circuit protector to resume operation.



Oil Alert system

The Oil Alert system is designed to prevent engine damage caused by an insufficient amount of oil in the crankcase. Before the oil level in the crankcase falls below a safe limit, the Oil Alert system will automatically shut down the engine (the engine switch will remain in the ON position).

If the Oil Alert system shuts down the engine, the Oil Alert indicator (red) will come ON when you operate the starter, and the engine will not run. If this occurs, check the engine oil level (see page 17).



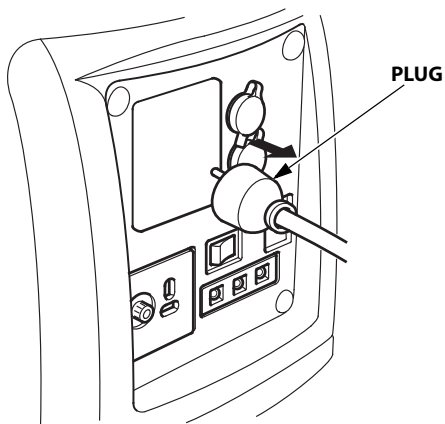
OIL ALERT INDICATOR (RED)

7. STOPPING THE ENGINE

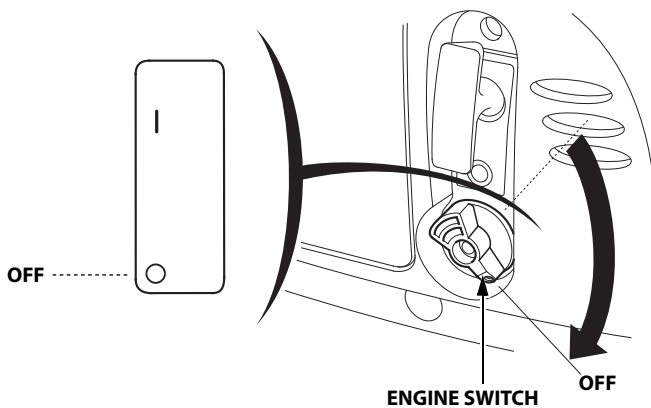
To stop the engine in an emergency, turn the engine switch to the OFF position.

IN NORMAL USE:

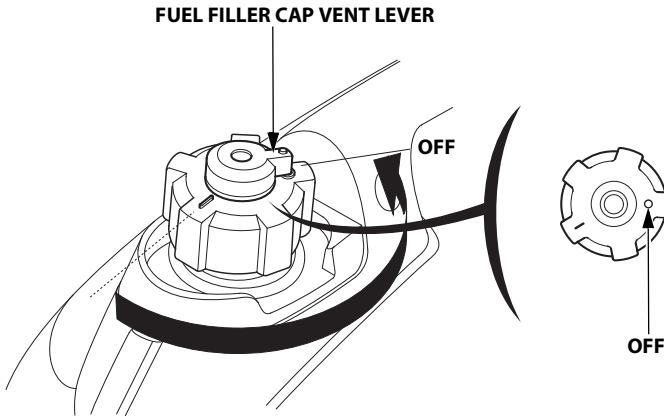
1. Turn off or disconnect all appliances that are connected to the generator.



2. Turn the engine switch to the OFF position.



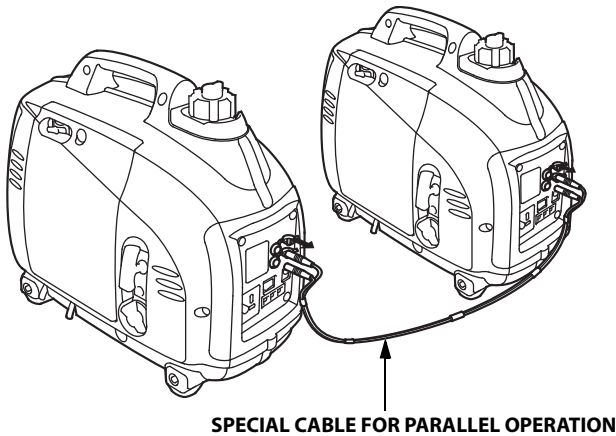
-
3. Allow the engine to cool, and then turn the fuel filler cap vent lever to the OFF position.



CAUTION:

Be sure the fuel filler cap vent lever and the engine switch are in the OFF position when stopping, transporting and/or storing the generator.

4. If two generators were connected for parallel operation, disconnect the parallel operation cable after stopping the engines.



8. MAINTENANCE

The purpose of the maintenance and adjustment schedule is to keep the generator in the best operating condition.

Inspect or service as scheduled in the table below.

▲WARNING

Make sure the engine is off before you begin any maintenance or repairs. This will eliminate several potential hazards:

- **Carbon monoxide poisoning from engine exhaust. Be sure there is adequate ventilation whenever you operate the engine.**
- **Burns from hot parts. Let the engine and exhaust system cool before touching.**
- **Injury from moving parts. Do not run the engine unless instructed to do so.**

The muffler becomes very hot during operation and remains hot for a while after stopping the engine. Be careful not to touch the muffler while it is hot. Let the engine cool before maintenance.

CAUTION:

Use Honda Genuine parts or their equivalent. The use of replacement parts which are not of equivalent quality may damage the generator.

Maintenance Schedule

REGULAR SERVICE PERIOD (1) Perform at every indicated month or operating hour interval, whichever comes first.		Each use	First month or 10 hrs.	Every 3 months or 50 hrs.	Every 6 months or 100 hrs.	Every 2 years or 300 hrs.	Page
Item							
Engine oil	Check level	o					16
	Change		o		o		40
Air cleaner	Check	o					20
	Clean			o (2)			41
Spark plug	Check-adjust				o		42
	Replace					o	
Valve clearance	Check-adjust					o (3)	—
Combustion chamber	Clean	After every 300 hrs. (3)					—
Fuel tank & filter	Clean	Every year (3)					—
Fuel tube	Check	Every 2 years (Replace if necessary) (3)					—

- NOTE:**
- (1) For commercial use, log hours of operation to determine proper maintenance intervals.
 - (2) Service more frequently when used in dusty areas.
 - (3) These items should be serviced by your servicing dealer, unless you have the proper tools and are mechanically proficient. Refer to the Honda shop manual for service procedures.

1. CHANGING OIL

Drain the oil while the engine is still warm to assure rapid and complete draining.

CAUTION:

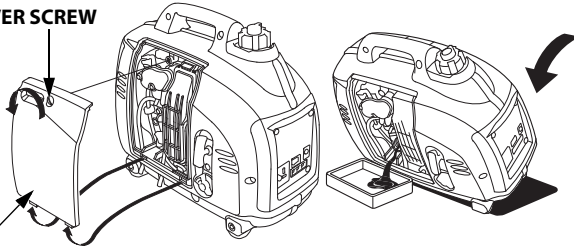
Make sure to turn the engine switch and the fuel filler cap vent lever to the OFF position before draining.

1. Loosen the maintenance cover screw and remove the maintenance cover.
2. Remove the oil filler cap.
3. Drain dirty oil into a suitable container thoroughly.
4. Refill with the recommended oil (see page 16) and check the oil level.

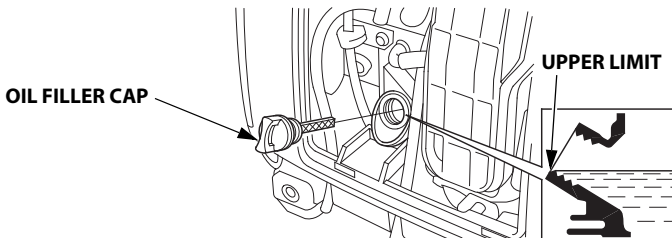
ENGINE OIL CAPACITY: 0.25 L (0.26 US qt, 0.22 Imp qt)

5. Wipe off all the spilled oil from the generator.
6. Reinstall the oil filler cap securely.
7. Reinstall the maintenance cover and tighten the maintenance cover screw securely.

MAINTENANCE COVER SCREW



MAINTENANCE COVER



Wash your hands with soap and water after handling used oil.

NOTE:

Please dispose of used motor oil in a manner that is compatible with the environment. We suggest you take it in a sealed container to your local service station for reclamation. Do not throw it in the trash or pour it on the ground.

2. AIR CLEANER SERVICE

A dirty air cleaner will restrict air flow to the carburetor. To prevent carburetor malfunction, service the air cleaner regularly. Service more frequently when operating the generator in extremely dusty areas.

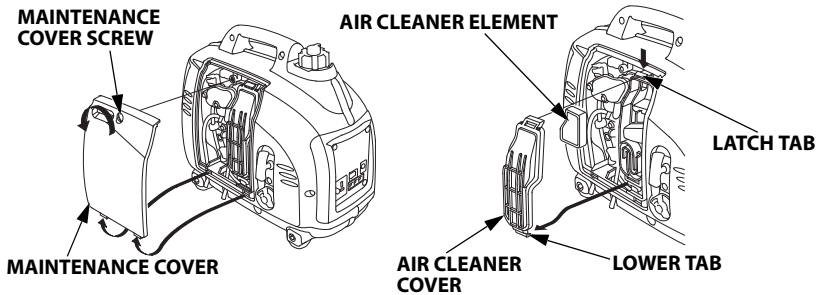
▲WARNING

Do not use gasoline or low flash point solvents for cleaning. They are flammable and explosive under certain conditions.

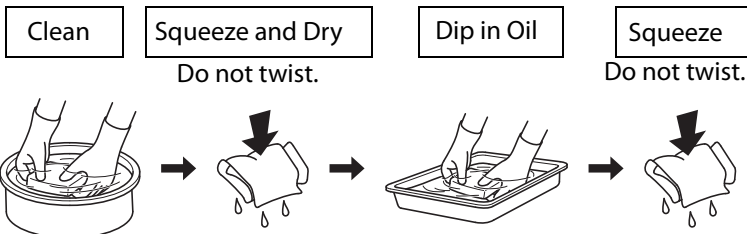
CAUTION:

Never run the generator without the air cleaner. Rapid engine wear may result.

1. Loosen the maintenance cover screw and remove the maintenance cover.
2. Press the latch tab on the top of the air cleaner body, and remove the air cleaner cover.



3. Clean in warm soapy water, rinse and allow to dry thoroughly, or clean in high flash point solvent and allow to dry. Dip the element in clean engine oil and squeeze out all the excess. The engine will smoke during initial startup if too much oil is left in the foam.



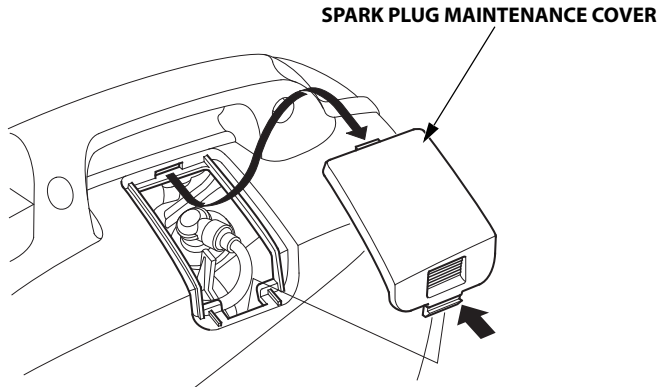
4. Reinstall the air cleaner element.
5. Reinstall the air cleaner cover by inserting the lower tab and the latch tab.
6. Reinstall the maintenance cover and tighten the maintenance cover screw securely.

3. SPARK PLUG SERVICE

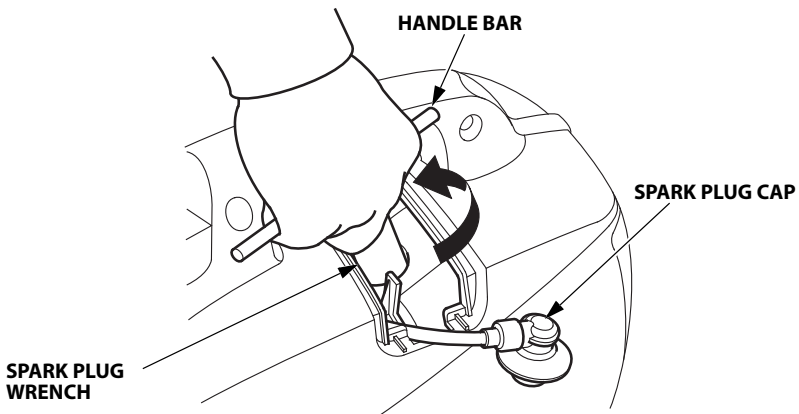
RECOMMENDED SPARK PLUG: LR4C-E (NGK)

To ensure proper engine operation, the spark plug must be properly gapped and free of deposits.

1. Remove the spark plug maintenance cover.



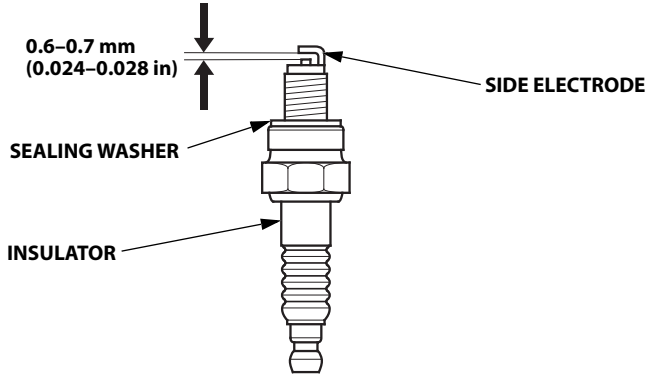
2. Remove the spark plug cap.
3. Clean any dirt from around the spark plug base.
4. Use a spark plug wrench to remove the spark plug.



-
5. Visually inspect the spark plug. Discard it if the insulator is cracked, chipped, or fouled. Clean the spark plug with a wire brush if it is to be reused.
 6. Measure the plug gap with a feeler gauge.
Correct as necessary by carefully bending the side electrode.

The gap should be:

0.6–0.7 mm (0.024–0.028 in)



7. Install the spark plug carefully by hand, to avoid cross-threading.
8. After a new spark plug has been seated by hand, it should be tightened 1/2 turn with a wrench to compress the sealing washer.
If a used plug is being reinstalled, it should only require 1/8 to 1/4 turn after being seated.

TORQUE: 12 N·m (1.2 kgf·m, 8.7 lbf·ft)

9. Reinstall the spark plug cap on the spark plug securely.
10. Reinstall the spark plug maintenance cover.

CAUTION:

- **The spark plug must be securely tightened. An improperly tightened plug can become very hot and possibly damage the generator.**
- **Never use a spark plug with an improper heat range.**

9. TRANSPORTING/STORAGE

To prevent fuel spillage when transporting or during temporary storage, the generator should be secured upright in its normal operating position, with the engine switch OFF.

The fuel filler cap vent lever is turned fully counterclockwise to the OFF position. Allow the engine to cool well before turning the fuel filler cap vent lever to the OFF position.

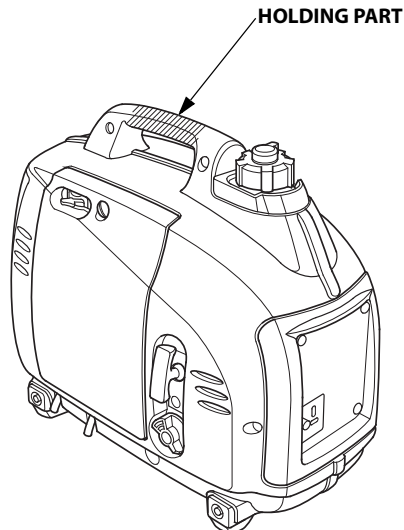
▲WARNING

When transporting the generator:

- **Do not overfill the tank (there should be no fuel in the filler neck).**
- **Do not operate the generator while it is on a vehicle. Take the generator off the vehicle and use it in a well ventilated place.**
- **Avoid a place exposed to direct sunlight when putting the generator on a vehicle. If the generator is left in an enclosed vehicle for many hours, high temperature inside the vehicle could cause fuel to vaporize resulting in a possible explosion.**
- **Do not drive on a rough road for an extended period with the generator on board. If you must transport the generator on a rough road, drain the fuel from the generator beforehand.**

NOTE:

To transport the generator, hold the holding part (shaded areas in the figure below).



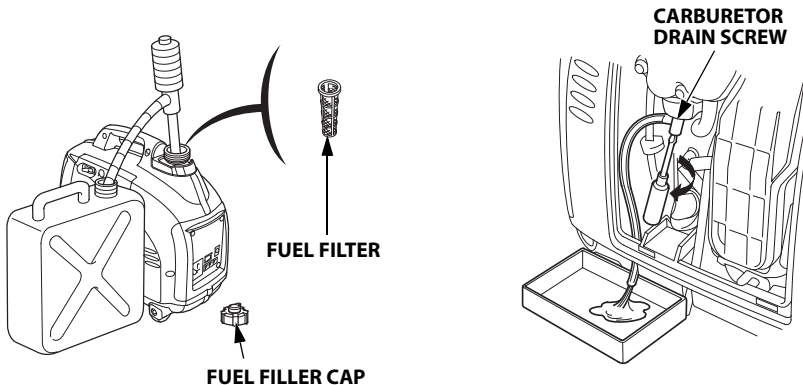
Before storing the unit for an extended period:

1. Be sure the storage area is free of excessive humidity and dust.
2. Drain the fuel.

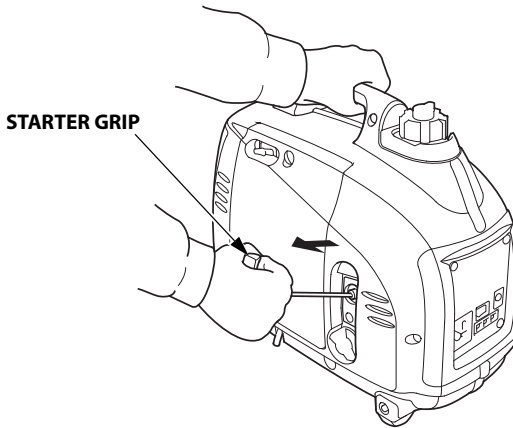
▲ WARNING

Gasoline is extremely flammable and is explosive under certain conditions. Perform this task in a well ventilated area with the engine stopped. Do not smoke or allow flames or sparks in the area during this procedure.

- a. Drain all gasoline from the fuel tank into an approved gasoline container. We recommend using a commercially available gasoline hand pump. Do not use an electric pump. Reinstall the fuel filter and the fuel filler cap.
- b. Loosen the maintenance cover screw and remove the maintenance cover (see page 40).
- c. Loosen the carburetor drain screw, and drain the gasoline from the carburetor into a suitable container.
- d. Remove the spark plug maintenance cover and the spark plug cap (see page 42).
- e. Turn the engine switch to the ON position (see page 21).
- f. Pull the starter grip (see page 22) 3 to 4 times to drain the gasoline from the fuel pump into a suitable container.
- g. Turn the engine switch to the OFF position.
- h. Tighten the carburetor drain screw.

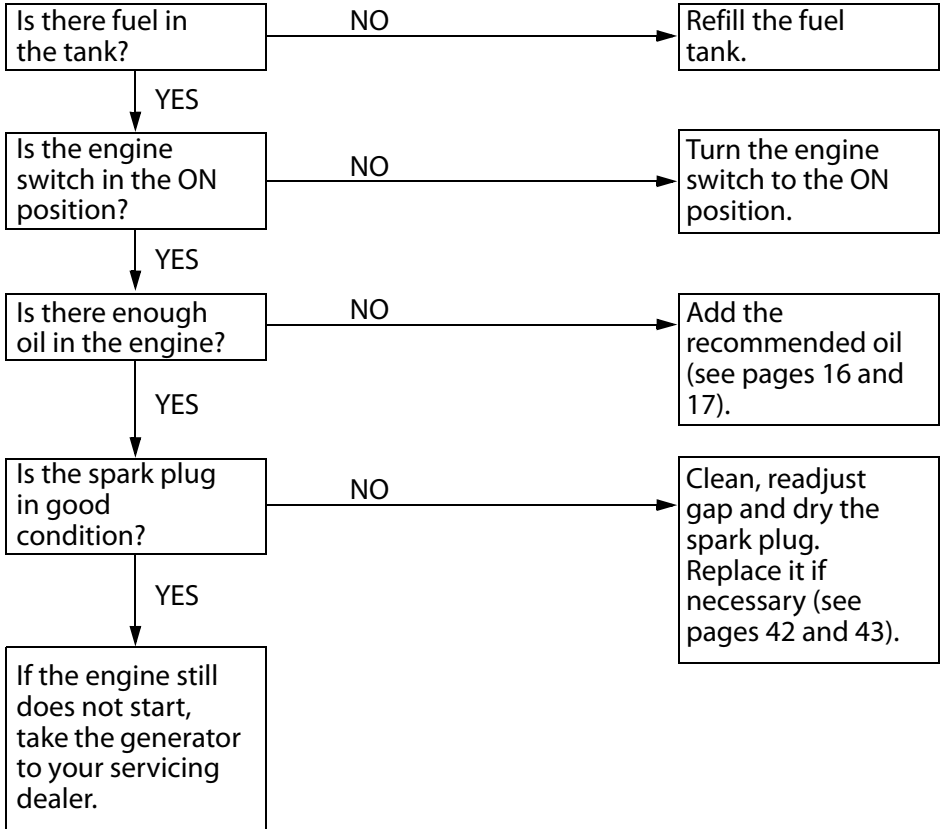


-
3. Change the engine oil (see page 40).
 4. Remove the spark plug and pour about a tablespoon of clean engine oil into the cylinder. Crank the engine several revolutions to distribute the oil, then reinstall the spark plug.
 5. Reinstall the spark plug cap and spark plug maintenance cover securely.
 6. Reinstall the maintenance cover, and tighten the maintenance cover screw securely.
 7. Slowly pull the starter grip until resistance is felt. At this point, the piston is coming up on its compression stroke and both the intake and exhaust valves are closed. Storing the engine in this position will help to protect it from internal corrosion.

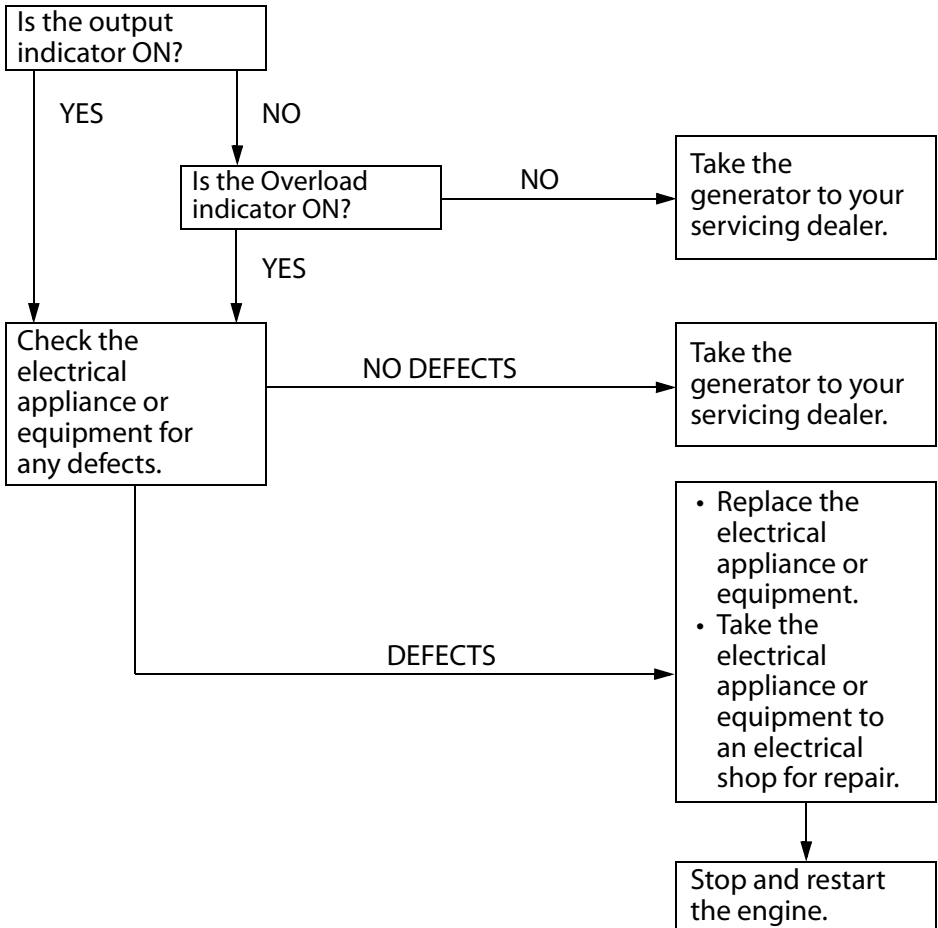


10. TROUBLESHOOTING

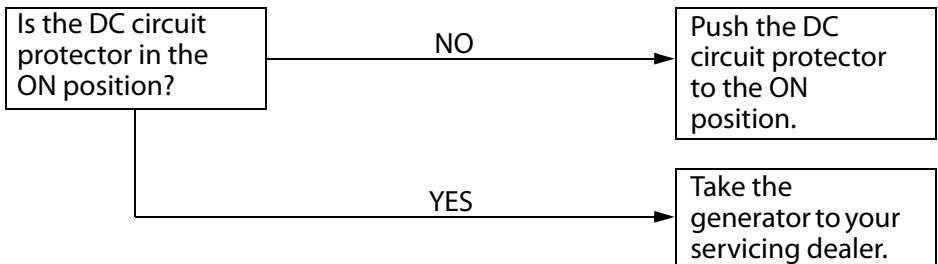
When the engine will not start:



Appliance does not operate:



No electricity at the DC receptacle:



11. SPECIFICATIONS

Dimensions and Weight

Model	EU10iT1	
Type	G, B, F, W, CL, U	GW1
Description code	EAAT	
Length	451 mm (17.8 in)	456 mm (18.0 in)
Width	242 mm (9.5 in)	
Height	379 mm (14.9 in)	
Dry weight	13 kg (29 lbs)	

Engine

Model	GXH50T	
Engine type	4-stroke, overhead valve, single cylinder	
Displacement	49.4 cm ³ (3.01 cu-in)	
Bore×Stroke	41.8×36.0 mm (1.65×1.42 in)	
Compression ratio	8.0:1	
Engine speed	4,000–6,000 min ⁻¹ 5,500–6,000 min ⁻¹ (with Eco Throttle OFF)	
Cooling system	Forced air	
Ignition system	Full transistor	
Engine oil capacity	0.25 L (0.26 US qt, 0.22 Imp qt)	
Fuel tank capacity	2.1 L (0.55 US gal, 0.46 Imp gal)	
Spark plug	LR4C-E (NGK)	

[Carbon dioxide (CO₂) emissions*]

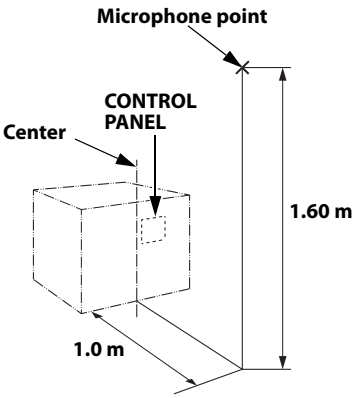
Please refer to "CO₂ Information List" on www.honda-engines-eu.com/co2

* The CO₂ measurement results from testing over a fixed test cycle under laboratory conditions a(n) (parent) engine representative of the engine type (engine family) and shall not imply or express any guarantee of the performance of a particular engine.

Generator

Model	EU10iT1		
Type	G, GW1, B, F, W, CL	U	
AC output	Rated Voltage	230 V	240 V
	Rated Frequency	50 Hz	50 Hz
	Rated Ampere	3.9 A	3.8 A
	Rated Output	0.9 kVA	
	Max Output	1.0 kVA	
DC rated output	Only for charging 12 V automotive batteries. 12 V, 8 A		

Noise

Model	EU10iT1	
Type	G, GW1, B, F, W, CL	U
Sound pressure level at the workstation (2006/42/EC)	67 dB (A) * (with Eco throttle ON)	–
 <p>The diagram illustrates the measurement setup for noise at the workstation. A dashed rectangular box represents the control panel, which is 1.0 m wide. The center of the control panel is marked with an arrow and labeled 'Center'. A vertical arrow points from the center of the control panel to a point labeled 'Microphone point', which is 1.60 m above the center. A vertical dimension line on the right side of the diagram indicates the 1.60 m distance from the center of the control panel to the microphone point.</p>		
Uncertainty	–	–
Measured sound power level (2000/14/EC, 2005/88/EC)	84 dB (A) (with Eco throttle ON)	–
Uncertainty	3 dB (A)	–
Guaranteed sound power level (2000/14/EC, 2005/88/EC)	87 dB (A) (with Eco throttle ON)	–

* Not exceed 70 dB (A)

“the figures quoted are emission levels and are not necessarily safe working levels. Whilst there is a correlation between the emission and exposure levels, this cannot be used reliably to determine whether or not further precautions are required. Factors that influence the actual level of exposure of work-force include the characteristics of the work room, the other sources of noise, etc. i.e. the number of machines and other adjacent processes, and the length of time for which an operator is exposed to the noise. Also the permissible exposure level can vary from country. This information, however, will enable the user of the machine to make a better evaluation of the hazard and risk”.

NOTE:

Specifications are subject to change without notice.

12. WIRING DIAGRAM

INDEX

(See inside back cover)

G, GW1, B, F, W, CL Types	W-1
U Type	W-2

ABBREVIATIONS

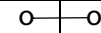
Symbol	Part name
ACOR	AC Output Receptacle
B	B Type
CL	CL Type
COT	Composite Socket
CPB	Control Panel Block
DC, D	DC Diode
DCOR	DC Output Receptacle
DC, W	DC Winding
EcoSw	Eco throttle switch
EgB	Engine Block
EgG	Engine Ground
ESw	Engine Switch
ExW	Exciter Winding
F	F Type
FrB	Frame Block
FrG	Frame Ground
GeB	Generator Block
G, GW1	G, GW1 Types
GT	Ground Terminal
IB	Inverter Block
IgC	Ignition Coil
IU	Inverter Unit
MW	Main Winding
OAL	Oil Alert Indicator
OI	Overload Indicator
OLSw	Oil Level Switch
PC	Pulser Coil
PL	Output Indicator
SP	Spark Plug
SpU	Spark Unit
StpM	Stepping Motor
SW	Sub Winding
W	W Type

WIRE COLOR CODE







Bl	BLACK
Y	YELLOW
Bu	BLUE
G	GREEN
R	RED
W	WHITE
Br	BROWN
Lg	LIGHT GREEN
Gr	GRAY
Sb	SKY BLUE
O	ORANGE
P	PINK

SWITCH CONNECTIONS

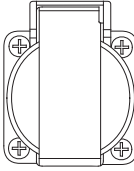

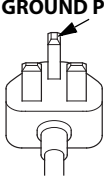
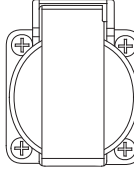

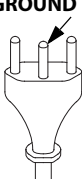
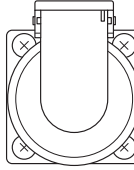

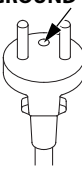
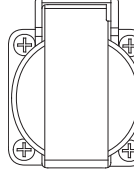

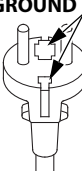
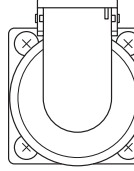
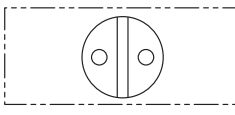

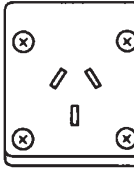

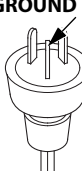
ENGINE SWITCH

	G	Bl
OFF		
ON		

ECO THROTTLE SWITCH

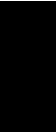
	R/W	R/Y
ON		
		
		
		
OFF		
		

RECEPTACLE

Type	Shape		Plug
B			
W			
F			
G, CL			
GW1			
U			

Honda EU10i

MANUEL DE L'UTILISATEUR
Notice originale



Nous vous remercions d'avoir porté votre choix sur un groupe électrogène Honda.

Ce manuel couvre l'utilisation et l'entretien du groupe électrogène EU10i.

Toutes les informations de cette publication sont basées sur les dernières données sur le produit disponibles au moment de la mise sous presse.

Honda Motor Co., Ltd. se réserve le droit d'apporter des modifications à tout moment sans préavis et sans obligation quelconque.

Aucune partie de cette publication ne peut être reproduite sans autorisation écrite.

Ce manuel doit être considéré comme un élément permanent du groupe électrogène et doit l'accompagner en cas de revente.

Attacher une attention particulière aux indications précédées des mentions suivantes:

▲ AVERTISSEMENT Signale un fort risque de blessures corporelles graves, voire un danger mortel si les instructions ne sont pas suivies.

ATTENTION: Indique un risque de blessure personnelles ou d'endommagement de l'équipement si les instructions ne sont pas suivies.

NOTE: Fournit des informations utiles.

En cas d'anomalie, ou pour toute question concernant ce groupe électrogène, s'adresser au revendeur local Honda.

▲ AVERTISSEMENT

Les groupes électrogènes Honda ont été conçus pour assurer un fonctionnement sûr et fiable lorsqu'ils sont utilisés conformément aux instructions données. Lire très attentivement le manuel de l'utilisateur avant d'utiliser le groupe électrogène. A défaut, on s'expose à des blessures et l'équipement pourrait être endommagé.

Les illustrations peuvent varier en fonction du type.

SOMMAIRE

1. RÈGLES DE SÉCURITÉ.....	3
2. EMPLACEMENT DES ÉTIQUETTES DE SÉCURITÉ.....	7
• Emplacement de la marque CE et des étiquettes sur les émissions sonores	11
3. IDENTIFICATION DES COMPOSANTS	12
4. CONTROLE AVANT UTILISATION	16
5. DEMARRAGE DU MOTEUR.....	21
• Modification du carburateur pour une utilisation à haute altitude.....	24
6. UTILISATION DU GROUPE	25
7. ARRET DU MOTEUR	37
8. ENTRETIEN	39
9. TRANSPORT/REMISAGE	44
10.DÉPANNAGE	47
11.CARACTÉRISTIQUES	49
12.SCHÉMA DE CÂBLAGE.....	51
PRISE	52
ADRESSES DES PRINCIPAUX CONCESSIONNAIRES Honda.....	A l'intérieur de la couverture arrière
"CE-Déclaration de conformité" DESCRIPTION DE TABLE	
DES MATIERES.....	A l'intérieur de la couverture arrière

1. RÈGLES DE SÉCURITÉ

INFORMATIONS DE SÉCURITÉ IMPORTANTES

Les groupes électrogènes Honda sont destinés à alimenter des équipements électriques ayant une puissance requise appropriée. D'autres usages pourraient occasionner des blessures à l'opérateur ou des dommages au groupe électrogène et à d'autres biens.

On pourra éviter la plupart des blessures ou dommages matériels en suivant toutes les instructions de ce manuel et sur le groupe électrogène. Les dangers les plus courants sont décrits ci-dessous avec l'indication des meilleurs moyens pour s'en protéger, soi-même et les autres.

Ne jamais essayer de modifier le groupe électrogène. Il pourrait en résulter un accident ainsi que des dommages au groupe électrogène et aux appareils branchés. La modification interdite avec le moteur annule la réception UE de ce moteur.

- Ne pas raccorder de rallonge au silencieux.
- Ne pas modifier le système d'admission.
- Ne pas régler le régulateur de régime.
- Ne pas déposer le panneau de commande et ne pas modifier son câblage.

Responsabilités de l'opérateur

Apprendre à arrêter rapidement le groupe électrogène en cas d'urgence. Bien comprendre l'utilisation de toutes les commandes du groupe électrogène, prises de sortie et connexions.

S'assurer que toutes les personnes utilisant le groupe électrogène reçoivent des instructions appropriées. Ne pas laisser les enfants utiliser le groupe électrogène sans surveillance parentale.

Observer les instructions de ce manuel sur la manière d'utiliser le groupe électrogène ainsi que les informations d'entretien. En ignorant ou suivant incorrectement les instructions, on risque un accident tel qu'électrocution et une dégradation de l'état des gaz d'échappement.

Respecter toutes les réglementations applicables dans le pays où le groupe électrogène est utilisé.

L'essence et l'huile sont toxiques. Suivre les instructions fournies par chaque fabricant avant l'emploi.

Avant l'utilisation, placer le groupe électrogène sur une surface horizontale et ferme.

Ne pas faire fonctionner le groupe électrogène avec un couvercle retiré. On s'exposerait à un accident si une main ou un pied se prenait dans le groupe électrogène.

Pour le démontage et les interventions sur le groupe électrogène non couverts par ce manuel, consulter son concessionnaire Honda agréé.

Dangers du monoxyde de carbone

Les gaz d'échappement contiennent du monoxyde de carbone, un gaz toxique, incolore et inodore. Les gaz d'échappement peuvent provoquer des évanouissements et être mortels.

Si l'on fait fonctionner le groupe électrogène dans un endroit fermé ou même partiellement clos, l'air respiré peut contenir une quantité dangereuse de gaz d'échappement.

Ne jamais faire fonctionner le groupe électrogène dans un garage, une maison ou à proximité de fenêtres ou portes ouvertes.

Risques d'électrocution

Le groupe électrogène produit une puissance électrique suffisamment importante pour provoquer un choc électrique grave ou une électrocution s'il est mal utilisé.

L'utilisation du groupe électrogène ou d'un appareil électrique dans des conditions humides telles que pluie ou neige, près d'une piscine ou d'un dispositif d'arrosage ou avec les mains mouillées peut être à l'origine d'une électrocution.

Garder le groupe électrogène sec.

Si le groupe électrogène se trouve à l'extérieur dans un endroit non protégé contre les intempéries, vérifier toutes les pièces électriques du panneau de commande avant chaque utilisation. L'humidité ou la glace peuvent provoquer une anomalie ou un court-circuit des pièces électriques pouvant causer une électrocution.

En cas de choc électrique, consulter immédiatement un médecin pour recevoir un traitement médical.

Risques d'incendie et de brûlures

Ne pas utiliser le groupe électrogène dans des endroits présentant des risques importants d'incendie.

Le système d'échappement chauffe suffisamment pour enflammer certaines matières.

- Garder le groupe électrogène à au moins 1 mètre des bâtiments et des autres équipements pendant l'utilisation.
- Ne pas enfermer le groupe électrogène dans une structure.
- Ne pas approcher de matières inflammables du groupe électrogène.

Certaines pièces du moteur à combustion interne sont chaudes et peuvent provoquer des blessures. Prêter attention aux avertissements sur le groupe électrogène.

Le silencieux devient brûlant pendant le fonctionnement et reste chaud quelques temps après l'arrêt du moteur. Prendre garde de ne pas toucher le silencieux tant qu'il est brûlant. Attendre que le moteur se soit refroidi avant de remiser le groupe électrogène à l'intérieur.

En cas d'incendie du groupe électrogène, ne pas verser d'eau directement dessus. Utiliser un extincteur d'incendie approprié spécialement conçu pour les incendies électriques ou d'huile.

Si l'on a respiré des fumées produites par un incendie accidentel du groupe électrogène, consulter immédiatement un médecin pour recevoir un traitement médical.

Faire le plein de carburant avec précaution

L'essence est extrêmement inflammable et les vapeurs d'essence peuvent exploser.

Laisser le moteur se refroidir si le groupe électrogène vient de fonctionner.

Ne faire le plein qu'à l'extérieur dans un endroit bien aéré et avec le moteur arrêté.

Ne pas faire d'appoint de carburant pendant le fonctionnement.

Ne pas trop remplir le réservoir de carburant.

Ne jamais fumer à proximité de l'essence et ne pas approcher de flammes ou d'étincelles.

Toujours stocker l'essence dans un récipient approprié.

Avant de mettre le moteur en marche, s'assurer que tout carburant renversé a été essuyé.

Antidéflagrant

Ce groupe électrogène n'est pas à l'épreuve des déflagrations.

Mise au rebut

Pour protéger l'environnement, ne pas jeter le groupe électrogène, la batterie, l'huile moteur usée, etc. aux ordures ou dans un endroit impropre.

Pour leur mise au rebut, observer la réglementation locale ou consulter son concessionnaire Honda agréé.

Respecter la réglementation environnementale en vigueur pour la mise au rebut de l'huile usagée. Nous suggérons de la transporter dans un bidon fermé hermétiquement jusqu'à la station-service la plus proche pour recyclage. Ne pas la jeter aux ordures ni la répandre sur le sol.

Une batterie jetée n'importe où peut être nocive pour l'environnement. Toujours respecter la réglementation locale en vigueur pour la mise au rebut des batteries. Faire remplacer la batterie par son concessionnaire d'entretien.

ELIMINATION DU GENERATEUR



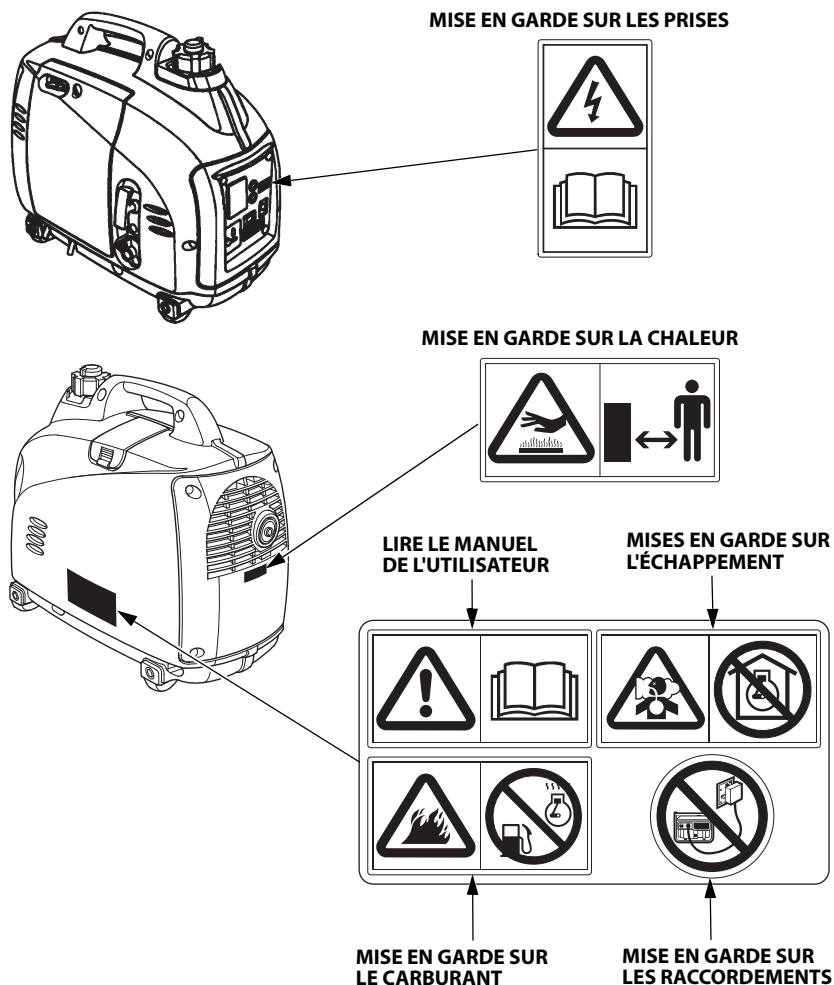
N'éliminez pas le matériel électrique avec les ordures ménagères. Si des appareils électriques sont éliminés dans des décharges ou des dépotoirs, des substances risquent de fuir, de réagir, puis d'entrer dans la chaîne alimentaire et de nuire à votre santé et à votre bien-être. Pour de plus amples informations sur l'élimination de ce produit, consultez votre revendeur ou le service de collecte des ordures ménagères le plus proche.

2. EMBLACEMENT DES ÉTIQUETTES DE SÉCURITÉ

Ces étiquettes ont pour objet de mettre en garde contre les risques potentiels de blessures graves. Lire attentivement ces étiquettes, de même que les avertissement et les remarques de sécurité donnés dans ce manuel.

Si une étiquette se détache ou devient illisible, s'adresser à un concessionnaire réparateur pour la faire remplacer.

Pour le modèle européen: Types G, GW1, B, F, W, CL





- Les groupes électrogènes Honda ont été conçus pour assurer un fonctionnement sûr et fiable lorsqu'ils sont utilisés conformément aux instructions données.
Lire très attentivement le manuel de l'utilisateur avant d'utiliser le groupe électrogène. A défaut, on s'expose à des blessures et l'équipement pourrait être endommagé.



- Les gaz d'échappement contiennent du monoxyde de carbone, un gaz toxique, incolore et inodore. L'inhalation du monoxyde de carbone peut provoquer l'évanouissement et entraîner la mort.
- Si l'on fait fonctionner le groupe électrogène dans un endroit fermé ou même partiellement clos, l'air respiré peut contenir une quantité dangereuse de gaz d'échappement.
- Ne jamais faire fonctionner le groupe électrogène dans un garage, une maison ou à proximité de fenêtres ou portes ouvertes.



- Un raccordement incorrect au réseau électrique d'un bâtiment peut permettre le retour du courant du groupe électrogène dans les lignes de la compagnie d'électricité.
Un tel retour du courant peut provoquer l'électrocution du personnel de la compagnie d'électricité, ou de toute autre personne, travaillant sur le réseau pendant une panne de courant, et le groupe électrogène risque d'exploser, brûler ou causer un incendie lors du rétablissement du courant.
Avant d'effectuer des raccordements électriques, consulter la compagnie d'électricité ou un électricien qualifié.



- **L'essence est hautement inflammable et explosive. Arrêter le moteur et le laisser se refroidir avant de faire le plein.**



- **Arrêter le moteur avant de brancher ou débrancher le boîtier de prise de courant pour fonctionnement en parallèle.**
- **Pour un fonctionnement en solo, il faut débrancher le boîtier de prise de courant pour fonctionnement en parallèle.**



- **Un système d'échappement chaud peut provoquer de graves brûlures. Ne pas le toucher lorsque le moteur vient de tourner.**

[type U et type CL]

[Type CL]

ADVERTENCIA DE SEGURIDAD
De acuerdo a la resolución exenta N° 1495 de la SEC.

La gasolina es altamente inflamable y explosiva, Usted puede resultar con quemaduras o seriamente herido si la gasolina se enciende.

■ Antes de rellenar con combustible, detenga el motor y mantenga lejos las fuentes de calor, chispas y llamas.

■ Manipule el combustible solamente en espacios exteriores.

■ No llene el estanque de combustible sobre su nivel máximo.

■ Limpie inmediatamente cualquier salpicadura de combustible.

■ Después de funcionar, llave el interruptor de encendido y la tapa del estanque de combustible a la posición "OFF" para prevenir fugas de combustible.

Los gases de escape contienen monóxido de carbono que es venenoso, y puede ser peligroso al inhalarse en espacios cerrados. Respirar monóxido de carbono puede dejarlo inconsciente o causar la muerte.

■ Nunca opere el generador en espacios cerrados o incluso parcialmente cerrados, cuando exista gente presente.

Conexiones mal realizadas hacia un inmueble, puede permitir que la corriente fluya en sentido inverso hacia el generador, creando un potencial riesgo de electrocución.

■ Las conexiones a un inmueble deben seguir la corriente del generador de la red pública, y deben cumplir con las leyes correspondientes y códigos de seguridad eléctricos.

El generador es una fuente potencial de choques eléctricos si no se mantiene en un ambiente seco.

■ No exponga el generador a humedad, lluvia o nieve.

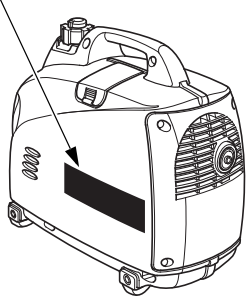
■ No opere el generador con las manos húmedas.

■ Un sistema de escape caliente puede causar serias quemaduras.

■ Evite el contacto si el motor ha estado funcionando

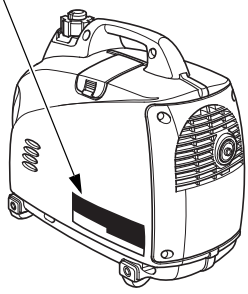
Lea cuidadosamente el manual del propietario antes de operar el equipo.

Honda Motor de Chile S.A. San Ignacio 031, Quilicura, Santiago



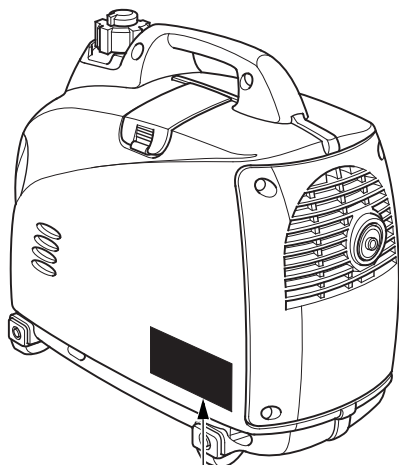
[Type U]

<p style="text-align: center;">⚠ CAUTION</p> <p>■ DO NOT USE Indoors DUE TO DANGER OF CARBON MONOXIDE POISONING.</p> <p>■ DO NOT CONNECT THE RECEPTACLE OF THIS GENERATOR TO HOUSE WIRING.</p> <p>■ STOP THE ENGINE BEFORE REFUELING.</p> <p>■ CHECK FOR SPILLED FUEL OR FUEL LEAKS.</p> <p>■ DO NOT FILL THE FUEL TANK BEYOND THE UPPER LIMIT LINE.</p> <p>■ FOR DETAILED EXPLANATION, READ THE OWNER'S MANUAL.</p> <p>■ WHEN STORED OR IN TRANSIT, MAKE CERTAIN THAT THE ENGINE SWITCH AND THE FUEL TANK CAP LEVER ARE IN "OFF" POSITION TO PREVENT FUEL LEAKS.</p> <p>■ BE SURE TO CONNECT ONLY THE SPECIAL LEAD TO THE PARALLEL OPERATION RECEPTACLE.</p>	<p style="text-align: center;">⚠ ATTENTION</p> <p>■ NE PAS UTILISER DANS UN LOCAL CLOS OU LES VAPEURS NOCIVES DE MONOXYDE DE CARBONE PEUVENT S'ACCUMULER.</p> <p>■ NE JAMAIS CONNECTER LE GROUPE ELECTROGENE A UNE PRISE DE SECTEUR.</p> <p>■ ARRÊTER LE MOTEUR AVANT DE FAIRE LE PLEIN D'ESSENCE.</p> <p>■ CONTRÔLER QU'IL N'Y A PAS DE FUIE D'ESSENCE, NI D'ESSENCE REPAINDUE SUR L'APPAREIL.</p> <p>■ NE PAS REMPLIR LE RÉSERVOIR D'ESSENCE AU-DESSUS DU REPERE DE NIVEAU MAXIMUM.</p> <p>■ POUR PLUS D'INFORMATIONS, LIRE LE MANUEL DE L'UTILISATEUR.</p> <p>■ QUAND LE GROUPE ELECTROGENE EST REMISE OU TRANSPORTE, S'ASSURER QUE LE CONTACT D'ARRÊT DU MOTEUR ET LA MISE A L'AIR LIBRE DU RÉSERVOIR D'ESSENCE SONT SUR LA POSITION "OFF" AFIN D'ÉVITER TOUTE FUIE D'ESSENCE.</p> <p>■ CONNECTER UNIQUEMENT LE CORDON SPECIAL A LA PRISE POUR UTILISATION EN PARALLELE.</p>
---	--



• **Emplacement de la marque CE et des étiquettes sur les émissions sonores**

Types G, GW1, B, F, W, CL



• **MARQUE CE**

ETIQUETTE RELATIVE AUX EMISSIONS SONORES

Classe de performances

Classe de qualité

Code IP

Masse à sec (poids)

Fabricant et adresse

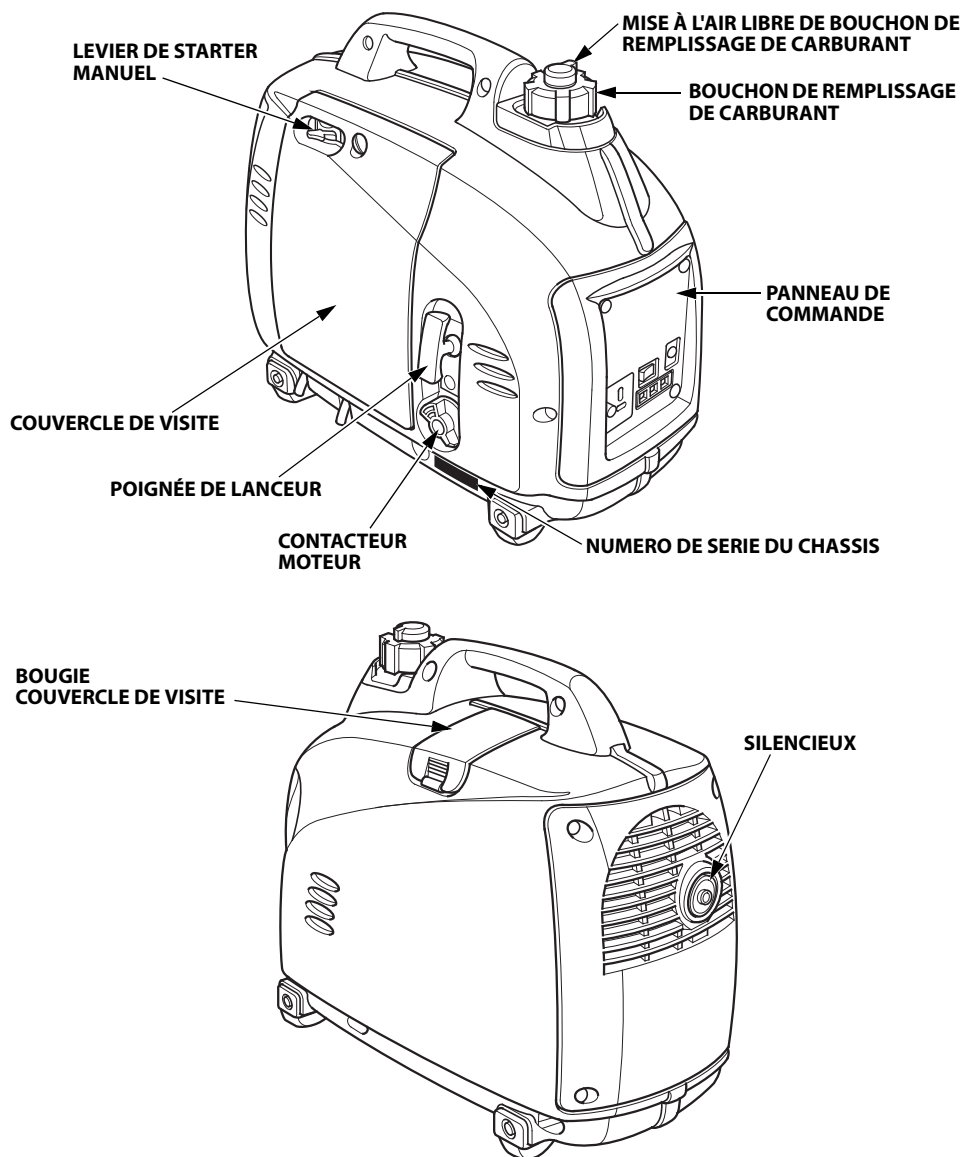
Année de production

Nom et adresse du représentant agréé et de l'importateur

L _{WA} 87 dB		EU 10i CE Low-power generating set EN ISO 8528-13	
Maximum power	MAX 1.0 kW	50 Hz	G1
Rated power	COP 0.9 kW	230 V	A
Rated power factor	1.0	3.9A	IP23M
Year of Mfg.		Masskg

Le nom et l'adresse du constructeur, du représentant agréé et de l'importateur figurent dans la PRÉSENTATION DU CONTENU de la "Déclaration de Conformité CE" dans le présent manuel de l'utilisateur.

3. IDENTIFICATION DES COMPOSANTS



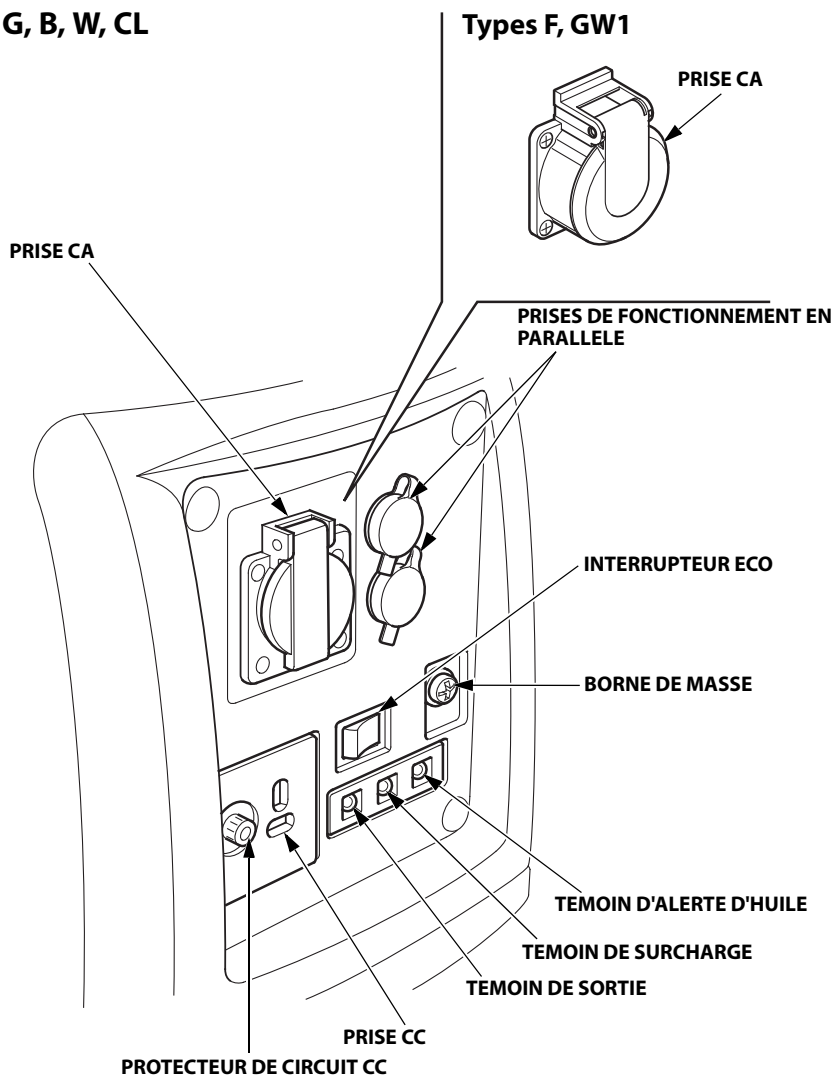
Noter le numéro de série du châssis dans l'espace ci-dessous. Ce numéro de série est indispensable pour la commande de pièces.

Numéro de série du châssis: _____

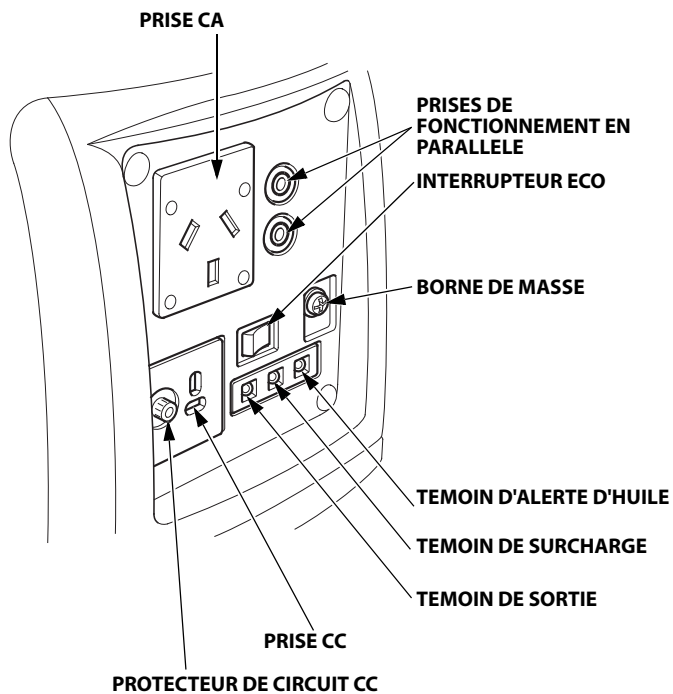
PANNEAU DE COMMANDE

Types G, B, W, CL

Types F, GW1



Type U



Eco Throttle

ECO:

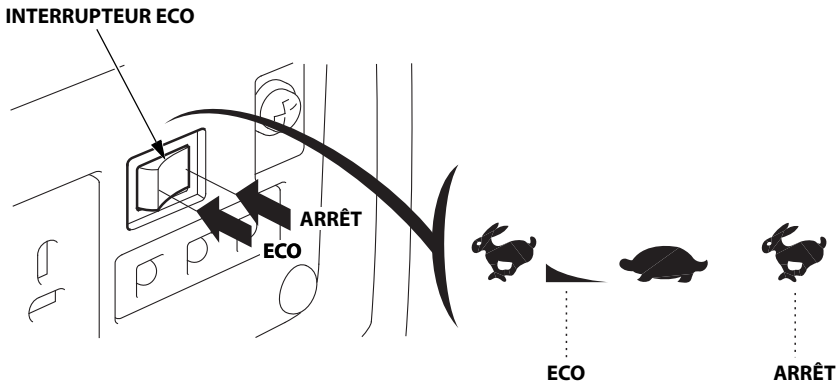
Le régime moteur est automatiquement laissé au ralenti lorsque l'appareil électrique est déconnecté, et il revient à la bonne vitesse avec la charge électrique lorsque l'appareil électrique est connecté. Cette position est recommandée pour réduire la consommation de carburant au minimum pendant l'utilisation.

NOTE:

- Le système Eco Throttle ne fonctionne pas suffisamment si l'appareil électrique nécessite une puissance électrique momentanée.
- Lorsque des appareils à charge électrique élevée sont branchés simultanément, placer l'interrupteur Eco Throttle sur ARRÊT pour réduire les variations de tension.
- Lors d'une utilisation CC, placer l'interrupteur Eco Throttle sur la position ARRÊT.

ARRÊT:

Le système Eco Throttle ne fonctionne pas. Le régime du moteur est maintenu dans la plage de régime moteur (avec Eco Throttle à l'arrêt) à la page "CARACTÉRISTIQUES".



4. CONTROLE AVANT UTILISATION

ATTENTION:

Contrôler le groupe électrogène sur un sol horizontal avec le moteur arrêté.

Avant chaque utilisation, vérifier s'il n'y a pas de traces de fuites d'huile ou d'essence autour ou sous le moteur.

1. Vérifier le niveau d'huile moteur.

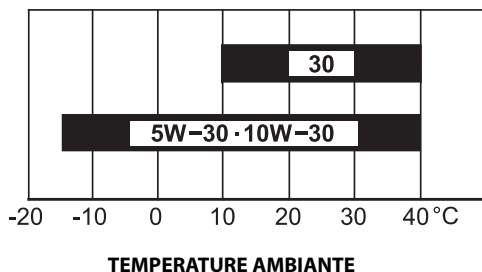
ATTENTION:

L'utilisation d'une huile moteur non détergente ou 2 temps peut raccourcir la durée de service de moteur.

Huile préconisée

Utiliser une huile moteur 4 temps répondant ou dépassant les prescriptions pour la classe service API SE ou ultérieure (ou équivalente). Toujours vérifier l'étiquette de service API sur le bidon d'huile pour s'assurer qu'elle porte bien la mention SE ou ultérieure (ou équivalente).

Avant l'utilisation, lire attentivement les instructions du récipient d'huile.



L'indice SAE 10W-30 est préconisé pour un usage général. Les autres viscosités indiquées dans le tableau peuvent être utilisées lorsque la température moyenne du lieu d'utilisation se trouve dans la plage indiquée.

Spécifications d'huile de lubrification nécessaires pour garder un système de contrôle des émissions performant : huile d'origine Honda.

- (1) Desserrer la vis du couvercle de visite et déposer le couvercle de visite (voir page 40).
- (2) Déposer le bouchon de remplissage d'huile.
- (3) Contrôler le niveau d'huile. Si le niveau est plus bas que le niveau maxi, faire l'appoint d'huile recommandée (voir page 16) jusqu'au repère de niveau maxi.
- (4) Reposer fermement le bouchon de remplissage d'huile.

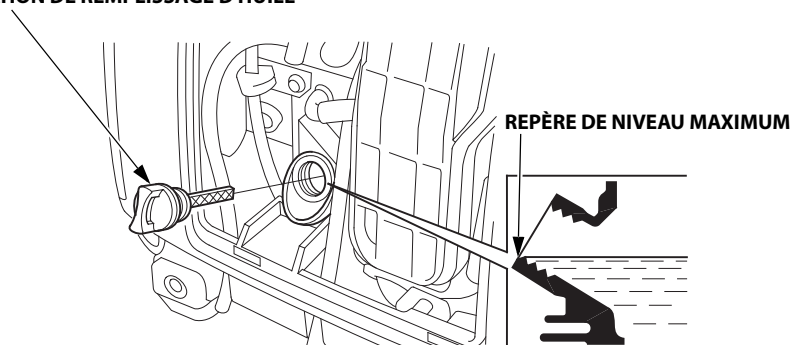
ATTENTION:

Si le moteur était utilisé sans qu'il y ait suffisamment d'huile, il risquerait d'être sérieusement endommagé.

NOTE:

Le système d'alerte d'huile arrête automatiquement le moteur avant que le niveau d'huile ne tombe au-dessous de la limite de sécurité. Pour éviter l'inconvénient d'un arrêt imprévu, il demeure néanmoins conseillé de contrôler visuellement le niveau d'huile régulièrement.

BOUCHON DE REMPLISSAGE D'HUILE



2. Vérifier le niveau de carburant.

Si le niveau de carburant est bas, refaire le plein du réservoir jusqu'au niveau spécifié.

Après avoir fait l'appoint, serrer à fond le bouchon de dispositif de remplissage d'essence.

Carburant recommande

Essence sans plomb
Indice d'octane recherche 91 ou plus
Indice d'octane pompe 86 ou plus

Ce moteur est certifié pour fonctionner avec de l'essence sans plomb ayant un indice d'octane pompe d'au moins 86 (ou un indice d'octane recherche d'au moins 91).

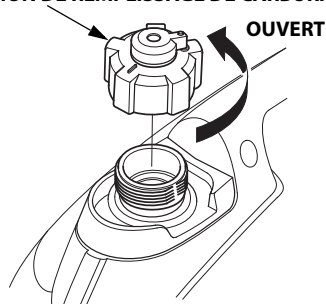
Spécification(s) de carburant nécessaires pour garder un système de contrôle des émissions performant : carburant E10 référencé dans la réglementation UE. Ne jamais utiliser de l'essence viciée ou contaminée ou un mélange d'huile/ essence.

Eviter toute pénétration d'impuretés ou d'eau dans le réservoir de carburant.

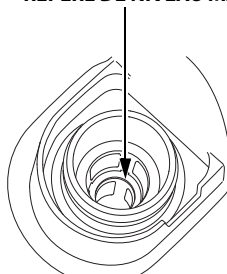
▲ AVERTISSEMENT

- **L'essence est hautement inflammable et peut exploser dans certaines conditions.**
 - **Faire le plein dans un endroit bien aéré, le moteur arrêté. Ne pas fumer ou approcher de flammes vives ou d'étincelles près du lieu où plein est effectué et près du lieu de stockage de l'essence.**
 - **Ne pas trop remplir le réservoir d'essence (il ne doit pas y avoir d'essence audessus de la marque de limite supérieure). Après avoir refait le plein, s'assurer que le bouchon de remplissage de carburant est correctement et solidement fermé.**
 - **Faire attention à ne pas renverser d'essence pendant le remplissage du réservoir. Des vapeurs d'essence ou de l'essence renversée peuvent s'enflammer. Avant de mettre le moteur en marche, s'assurer que l'essence renversée a séché et que les vapeurs sont dissipées.**
 - **Eviter tout contact répété ou prolongé avec la peau et éviter de respirer des vapeurs de manière prolongée ou répétée.**
- TENIR HORS DE PORTEE DES ENFANTS.**

BOUCHON DE REMPLISSAGE DE CARBURANT



REPÈRE DE NIVEAU MAXI



NOTE:

L'essence se dégrade très rapidement sous l'effet de facteurs tels qu'exposition à la lumière, la température et le temps.

Au pire des cas, l'essence peut être contaminée en moins de 30 jours.

L'utilisation d'essence contaminée peut endommager sérieusement le moteur (obstruction du carburateur, grippage des soupapes).

Les dommages dus au carburant dégradé ne sont pas couverts par la garantie.

Pour éviter ceci, observer rigoureusement ces recommandations:

- N'utiliser que l'essence spécifiée (voir page 17).
- Utiliser de l'essence fraîche et propre.
- Pour ralentir la dégradation, conserver l'essence dans un récipient de carburant certifié.
- Avant un long remisage (plus de 30 jours), vidanger le réservoir de carburant et le carburateur (voir page 45).

Essences contenant de l'alcool

En cas d'utilisation d'une essence contenant de l'alcool ("essence-alcool"), s'assurer que son indice d'octane est au moins égal à l'indice recommandé.

Il existe deux types "d'essence-alcool": le premier contient de l'éthanol, le second du méthanol.

Ne pas utiliser une essence-alcool contenant plus de 10 % d'éthanol.

Ne pas utiliser une essence contenant plus de 5 % de méthanol (alcool méthylique ou alcool de bois) ou une essence contenant du méthanol, à moins qu'elle ne contienne également des cosolvants et des inhibiteurs de corrosion pour méthanol.

NOTE:

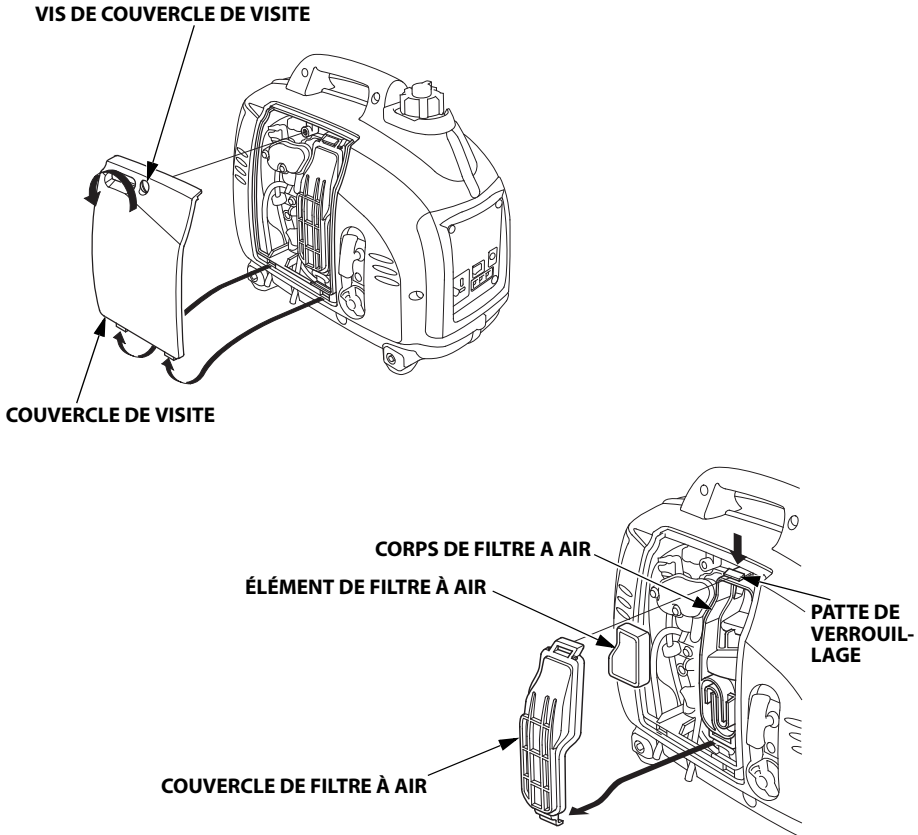
- Les dommages du système d'alimentation en carburant ou les problèmes de performances du moteur résultant de l'utilisation d'une essence contenant plus d'alcool que ce qui est recommandé ne sont pas couverts par la garantie.
- Avant de se ravitailler dans une station-service que l'on connaît mal, essayer de savoir si l'essence contient de l'alcool, quel est le type d'alcool utilisé et dans quel pourcentage en cas de symptômes de fonctionnement inhabituel lors de l'utilisation d'une essence particulière. revenir à une essence que l'on sait ne pas contenir plus d'alcool que la quantité recommandée.

3. Contrôler le filtre à air.

S'assurer que l'élément de filtre à air est propre et en bon état. Desserrer la vis du couvercle de visite et déposer le couvercle de visite. Enfoncer la patte de verrouillage située sur le haut du corps de filtre à air, déposer le couvercle de filtre à air, vérifier l'élément. Nettoyer ou remplacer l'élément si nécessaire (voir page 41).

ATTENTION:

Ne jamais faire fonctionner le moteur sans l'élément de filtre à air. Des impuretés telles que poussière et saleté aspirées dans le moteur à travers le carburateur entraîneraient une usure rapide du moteur.



5. DEMARRAGE DU MOTEUR

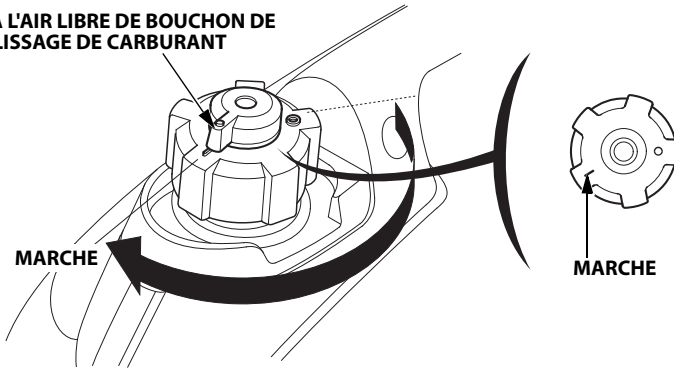
Avant de mettre en marche le moteur, déconnecter toute charge de la prise secteur.

1. Tourner la mise à l'air libre du bouchon de remplissage de carburant à fond dans le sens des aiguilles d'une montre sur la position MARCHÉ.

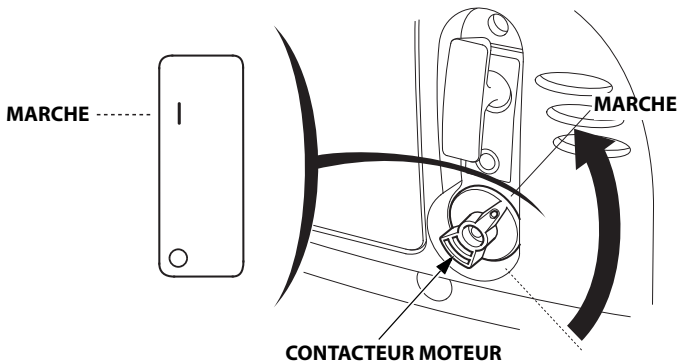
NOTE:

Placer la mise à l'air libre du bouchon de remplissage de carburant sur la position ARRÊT avant de transporter le groupe électrogène.

MISE À L'AIR LIBRE DE BOUCHON DE
REPLISSAGE DE CARBURANT



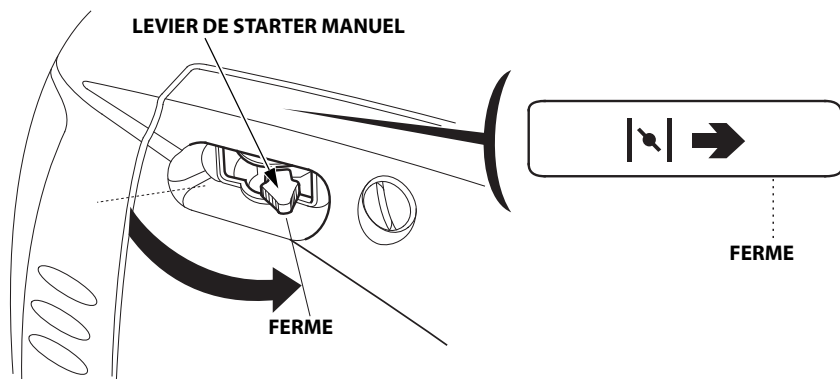
2. Placer le contacteur moteur sur la position MARCHÉ.



3. Amener le levier de starter à la position FERME (CLOSED).

NOTE:

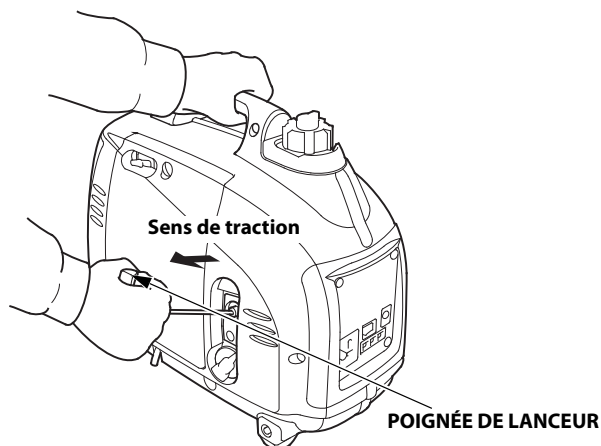
Ne pas utiliser le starter lorsque le moteur est chaud ou la température de l'air élevée.



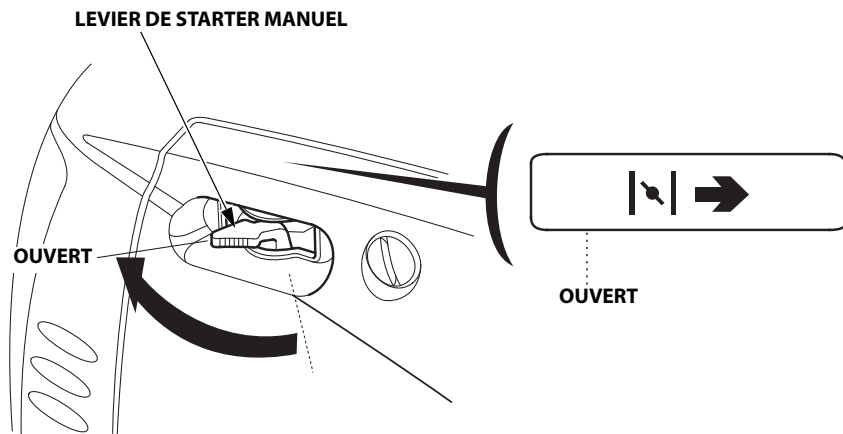
4. Tirer doucement la poignée de lanceur jusqu'à ressentir une résistance, puis la tirer d'un coup sec dans le sens de la flèche comme sur la figure ci-dessous.

ATTENTION:

- Il se peut que la poignée de lanceur revienne en arrière très rapidement avant d'être lâchée. Ceci peut tirer avec force votre main vers le moteur et provoquer des blessures.
- Ne pas laisser la poignée de lanceur revenir brusquement. La ramener lentement à la main.



5. Déplacer le levier du starter vers la position OUVERT (OPEN) dès que le moteur chauffe.



NOTE:

Si le moteur s'arrête et ne redémarre pas, vérifier le niveau d'huile du moteur (voir page 17) avant de rechercher l'origine du problème dans d'autres parties.

• Modification du carburateur pour une utilisation à haute altitude

A haute altitude, le mélange air-carburant du carburateur standard est trop riche. Les performances diminuent et la consommation augmente. Un mélange très riche encrasse aussi la bougie et rend difficile le démarrage. L'utilisation à une altitude différente de celle à laquelle le moteur a été certifié, pendant une durée prolongée, peut augmenter la pollution.

Il est possible d'améliorer les performances à haute altitude par des modifications spécifiques du carburateur. Si l'on utilise toujours le groupe électrogène à des altitudes supérieures à 610 mètres, demander au concessionnaire d'entretien d'effectuer ces modifications du carburateur. Ce moteur, quand il est utilisé à haute altitude avec les modifications de carburateur correspondantes, est conforme à toutes les normes antipollution pendant toute sa durée de vie utile.

Même avec la modification du carburateur, la puissance du moteur diminue d'environ 3,5 % par 300 mètres d'altitude supplémentaire. L'effet de l'altitude sur la puissance est plus important sans les modifications du carburateur.

ATTENTION:

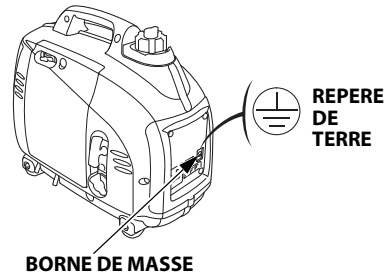
Quand le carburateur a été modifié pour fonctionnement à haute altitude, le mélange air-carburant est trop pauvre pour utilisation à basse altitude. L'utilisation à des altitudes inférieures à 610 mètres avec un carburateur modifié peut provoquer une surchauffe du moteur et entraîner d'importants dommages du moteur. Pour une utilisation à basse altitude, faire remettre le carburateur aux spécifications d'usine d'origine par le concessionnaire.

6. UTILISATION DU GROUPE

Le groupe électrogène produit une puissance électrique suffisamment importante pour provoquer un choc électrique grave ou une électrocution s'il est mal utilisé.

Si l'appareil connecté est relié à la masse, mettre également le groupe électrogène à la masse.

Pour la mise à la masse de la borne du groupe électrogène, utiliser un fil en cuivre d'un diamètre égal ou supérieur au cordon de l'appareil branché.

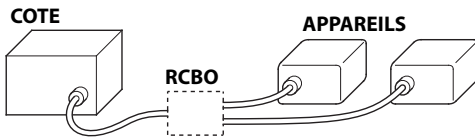


Utiliser un cordon prolongateur avec fil de masse lors du branchement d'un appareil avec fil de masse.

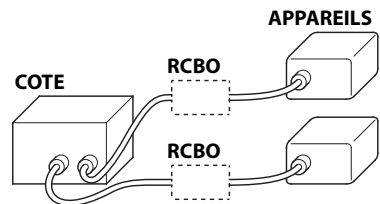
Pour identifier la broche de masse dans la fiche, voir PRISE, page 52.

Connecter un RCBO (coupe-circuit différentiel résiduel avec protection contre les surintensités) de 30 mA de détection de fuite à la terre et coupure en moins de 0,4 seconde à plus de 30 A de courant de sortie, si l'on utilise deux appareils ou plus.

Suivre les instructions fournies par chaque fabricant de RCBO avant l'emploi.



Raccordement avec un RCBO



Raccordement avec deux RCBO

⚠ AVERTISSEMENT

Un raccordement incorrect au réseau électrique d'un bâtiment peut permettre le retour du courant du groupe électrogène dans les lignes de la compagnie d'électricité.

Un tel retour du courant peut provoquer l'électrocution du personnel de la compagnie d'électricité, ou de toute autre personne, travaillant sur le réseau pendant une panne de courant, et le groupe électrogène risque d'exploser, brûler ou causer un incendie lors du rétablissement du courant. Avant d'effectuer des raccordements électriques, consulter la compagnie d'électricité ou un électricien qualifié.

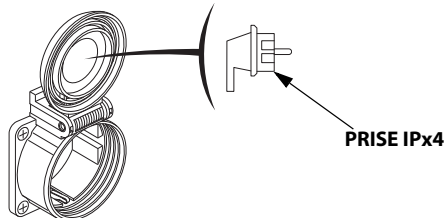
ATTENTION:

- Ne pas dépasser la limite d'intensité spécifiée pour chaque prise.
- Ne pas modifier le groupe électrogène et ne pas l'utiliser dans un autre but que celui prévu. Observer également les points suivants:
- Ne pas connecter un tuyau de rallonge au tuyau d'échappement.
- Lorsqu'il est nécessaire d'ajouter un câble rallonge, utiliser un câble blindé flexible et robuste (IEC 245 ou équivalent).
Lors de l'utilisation d'une rallonge, la valeur de résistance ne doit pas dépasser $1,5 \Omega$.
- Longueur limite des câbles de rallonge; 60 m pour les câbles de $1,5 \text{ mm}^2$ et 100 m pour les câbles de $2,5 \text{ mm}^2$. Des câbles de rallonge trop longs réduisent la puissance utilisable car leur résistance est plus grande.
- Installer le groupe électrogène loin de tous câbles ou fils électriques, tels que les câbles d'alimentation du réseau d'électricité.

⚠ AVERTISSEMENT

Type GW1

Pour raccorder une prise à l'équerre, veiller à bien utiliser une prise IPx4.

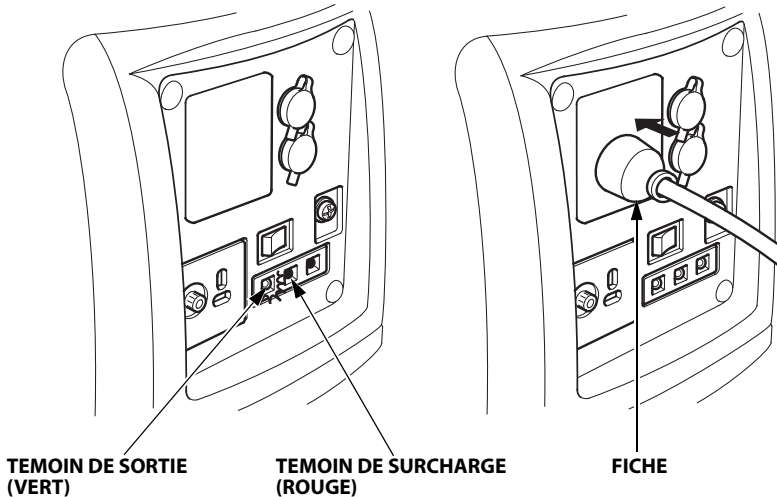


NOTE:

- La plupart des moteurs des équipements branchés exigent une puissance supérieure à la puissance nominale lors du démarrage. S'assurer que les caractéristiques électriques nominales de l'outil ou de l'appareil ne dépassent pas la puissance nominale maximale du groupe électrogène.
La puissance maximale est de: 1,0 kVA
- Pour une utilisation en continu, ne pas dépasser la puissance nominale.
La puissance nominale est de: 0,9 kVA
- Dans les deux cas, la puissance totale requise (VA) de tous les appareils branchés doit être prise en compte.
- La prise CC peut être utilisée alors que l'alimentation secteur est utilisée.
Si l'on utilise les deux en même temps, ne pas dépasser la puissance CA maximale.
Puissance CA maximale: 0,8 kVA

Applications CA

1. Mettre le moteur en marche et s'assurer que le témoin de sortie vert s'allume.
2. Confirmer que l'appareil à utiliser est hors tension, et brancher l'appareil.



ATTENTION:

- Une surcharge importante qui fait continuellement s'allumer le témoin de surcharge (rouge) peut endommager le groupe électrogène. Une surcharge marginale qui fait s'allumer temporairement le témoin de surcharge (rouge) peut raccourcir la durée de service du groupe électrogène.
- S'assurer que tous les appareils sont en bon état de fonctionnement avant de les brancher au groupe électrogène. Le matériel électrique (y compris les connexions des câbles et fiches) ne doit pas être défectueux. Si un appareil se met à fonctionner anormalement, s'il fonctionne paresseusement ou s'arrête brusquement, placer immédiatement le contacteur moteur du groupe électrogène sur arrêt. Débrancher ensuite l'appareil et vérifier s'il ne présente pas des signes d'anomalie.

Témoins de sortie et de surcharge

Le témoin de sortie (vert) reste allumé dans des conditions de fonctionnement normales.

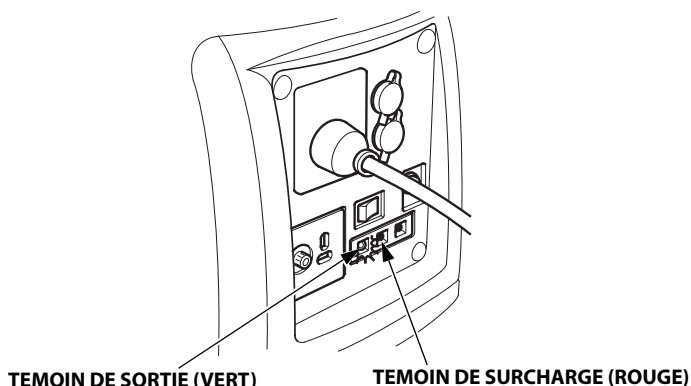
De plus, le témoin de surcharge possède une fonction de compteur d'heures simplifiée. Lorsque le moteur est mis en marche, le clignotement du témoin est lié au nombre total d'heures d'utilisation du groupe électrogène, de la manière suivante:

- Aucun clignotement: 0-100 heures
- 1 clignotement: 100-200 heures
- 2 clignotements: 200-300 heures
- 3 clignotements: 300-400 heures
- 4 clignotements: 400-500 heures
- 5 clignotements: 500 heures ou plus

En cas de surcharge du groupe électrogène (dépassant 1,0 kVA) ou de court-circuit de l'appareil branché, le témoin de sortie (vert) s'éteint, le témoin de surcharge (rouge) s'allume et le courant vers l'appareil branché est coupé.

Si le témoin de surcharge (rouge) s'allume, arrêter le moteur et rechercher la cause de la surcharge.

- Avant de connecter un appareil au groupe électrogène, vérifier s'il est en bon état et si son indice électrique ne dépasse pas celui du groupe électrogène. Connecter ensuite le câble d'alimentation de l'appareil et mettre le moteur en marche.



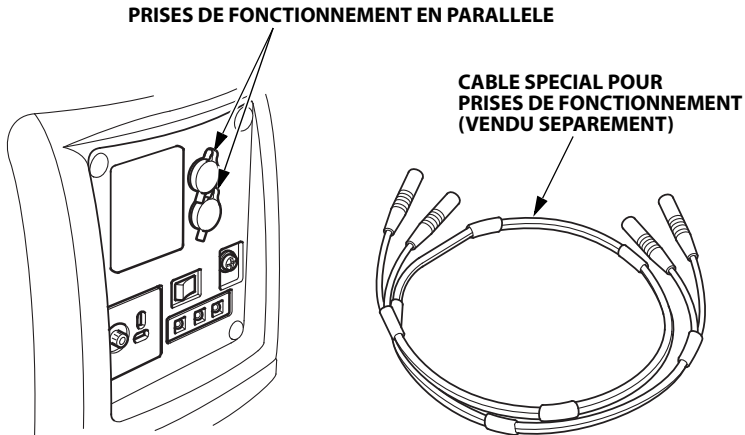
NOTE:

Lorsqu'un moteur électrique démarre, il se peut que le témoin de surcharge (rouge) et le témoin de sortie (vert) s'allument tous deux simultanément. Ceci est normal si le témoin de surcharge (rouge) s'éteint après environ 4 secondes. Si le témoin de surcharge (rouge) reste allumé, consulter le concessionnaire de groupes électrogènes Honda.

Utilisation en parallèle

Lire la section "UTILISATION DU GROUPE" avant de connecter tout équipement à utiliser.

N'utiliser toujours qu'un câble spécial pour fonctionnement en parallèle (vendu séparément).



La plupart des moteurs des équipements branchés exigent une puissance supérieure à la puissance nominale lors du démarrage. S'assurer que les caractéristiques électriques nominales de l'outil ou de l'appareil ne dépassent pas la puissance nominale maximale du groupe électrogène.

La puissance maximum en fonctionnement en parallèle est: 2,0 kVA

Pour une utilisation en continu, ne pas dépasser la puissance nominale.

La puissance nominale en fonctionnement en parallèle est°: 1,8 kVA

Dans les deux cas, la puissance totale requise (VA) de tous les appareils branchés doit être prise en compte.

ATTENTION:

Une surcharge importante qui fait continuellement s'allumer le témoin de surcharge (rouge) peut endommager le groupe électrogène. Une surcharge marginale qui fait s'allumer temporairement le témoin de surcharge (rouge) peut raccourcir la durée de service du groupe électrogène.

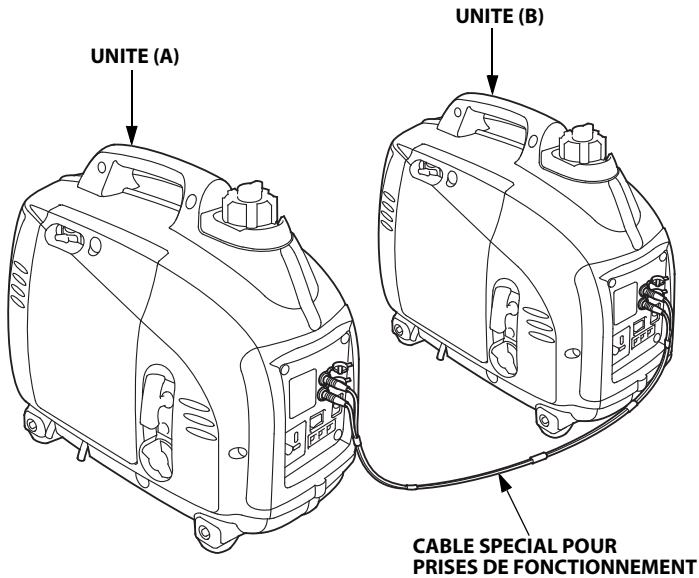
⚠ AVERTISSEMENT

- **Ne jamais raccorder des modèles et types de groupes électrogènes différents.**
- **Ne jamais connecter un câble autre que le câble spécial pour opération parallèle.**
- **Connecter et déposer le câble spécial pour opération parallèle avec le moteur arrêté.**
- **Pour une opération unique, le câble spécial pour opération parallèle doit être déposé.**

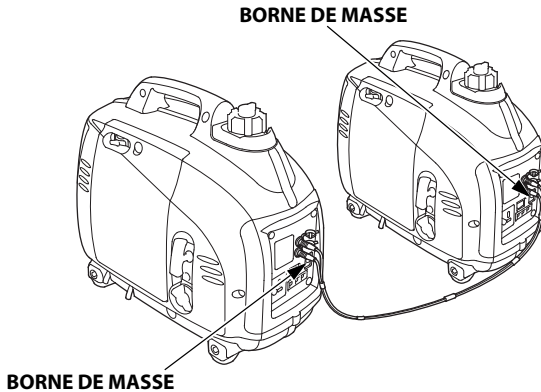
NOTE:

- Selon l'équipement utilisé, il se peut qu'il y ait une surcharge, que le témoin de surcharge (rouge) s'allume et qu'il soit impossible de tirer davantage de courant électrique.
- Les moteurs nécessitent généralement deux à trois fois leur consommation électrique pour le démarrage.

1. Connecter le câble spécial pour fonctionnement en parallèle aux deux groupes électrogènes.



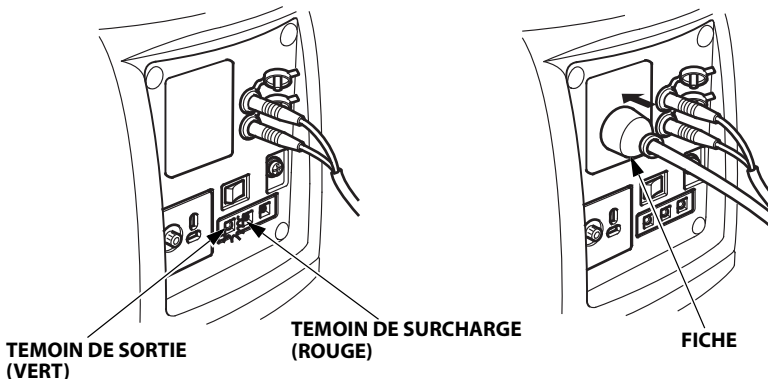
-
2. Ne pas manquer de mettre le groupe électrogène à la terre quand l'équipement connecté est mis à la terre.



3. Démarrer chaque moteur conformément à la section "DEMARRAGE DU MOTEUR".

- Lorsque le témoin de sortie (vert) ne s'allume pas et que le témoin de surcharge (rouge) s'allume à la place, placer le contacteur moteur sur ARRÊT, arrêter le moteur, puis le remettre en marche.

4. Confirmer que l'équipement à utiliser est hors tension, et insérer la fiche de l'équipement à utiliser dans la prise secteur de l'unité (A) ou de l'unité (B) .

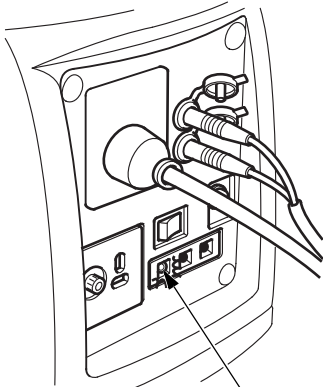


ATTENTION:

Confirmer que l'équipement utilisé à connecter est hors tension. Lorsque l'équipement à utiliser est mis sous tension, il s'active soudainement et des blessures ou accidents peuvent en résulter.

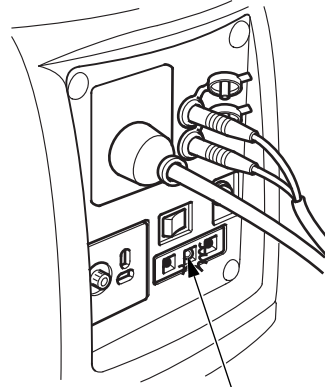
-
5. Allumer l'équipement branché à utiliser.
Le témoin de sortie (vert) s'allume.

En fonctionnement normal



TEMOIN DE SORTIE (VERT)

En cas de surcharge ou de court-circuit



TEMOIN DE SURCHARGE (ROUGE)

- En cas de surcharge (voir page 29) ou d'anomalie de l'équipement utilisé, le témoin de sortie (vert) s'éteint, le témoin de surcharge (rouge) s'allume en continu et aucun courant n'est généré. A ce moment, le moteur ne s'arrête pas. Ainsi, le moteur doit être arrêté en plaçant le contacteur moteur respectif sur la position ARRÊT.

NOTE:

- Lorsqu'un équipement nécessitant une grande puissance de démarrage tel qu'un moteur est utilisé, il se peut que le témoin de surcharge (rouge) et le témoin de sortie (vert) s'allument ensemble pendant une courte durée (4 secondes environ); cela ne traduit pas une anomalie. Après le démarrage de l'équipement, le témoin de surcharge (rouge) s'éteint tandis que le témoin de sortie (vert) reste allumé.
 - Lorsqu'un groupe électrogène doit être arrêté après le démarrage de l'équipement, le câble spécial pour fonctionnement en parallèle doit également être retiré au même moment.
6. Lorsque du courant électrique doit de nouveau être tiré du groupe électrogène, couper l'équipement devant être utilisé, puis débrancher la fiche de la prise secteur. S'assurer que le connexion et l'équipement soient normaux, et qu'il n'y ait pas trop d'énergie de consommée, puis redémarrer le moteur.

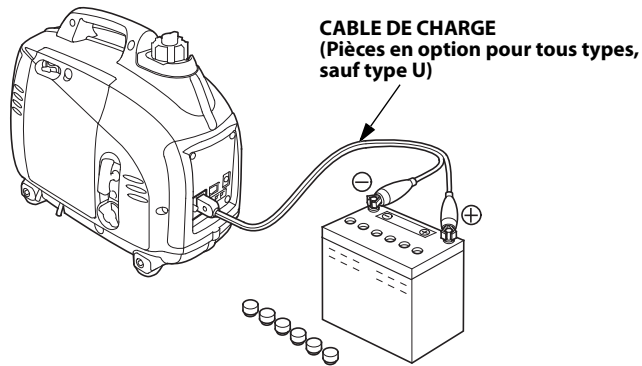
Applications CC

La prise CC peut être utilisée pour charger des batteries automobiles de 12 volts seulement.

NOTE:

Lors d'une utilisation CC, placer l'interrupteur Eco Throttle sur la position ARRÊT.

1. Connecter les câbles de charge à la prise CC du groupe électrogène, puis aux bornes de batterie.



⚠ AVERTISSEMENT

- Pour éviter la possibilité d'étincelle à proximité de la batterie, connecter en premier le câble de charge au groupe électrogène, puis à la batterie. Commencer par déconnecter le câble au niveau de la batterie.
- Avant de connecter le câble de charge à une batterie installée sur un véhicule, déconnecter le câble de batterie du véhicule. Reconnecter le câble de la batterie du véhicule une fois que les câbles de charge ont été enlevés. Le fait de procéder de cette manière élimine toute possibilité de court-circuit et de formation d'étincelles en cas de contact accidentel entre une borne de la batterie et le châssis ou la carrosserie du véhicule.

ATTENTION:

- Ne pas essayer de faire démarrer le moteur d'une automobile tant que le groupe électrogène est connecté à sa batterie. Ceci pourrait endommager le groupe électrogène.
- Connecter la borne positive de la batterie au câble de charge positif. Ne pas inverser les câbles de charge, car cela pourrait gravement endommager le groupe électrogène et/ou la batterie.

⚠ AVERTISSEMENT

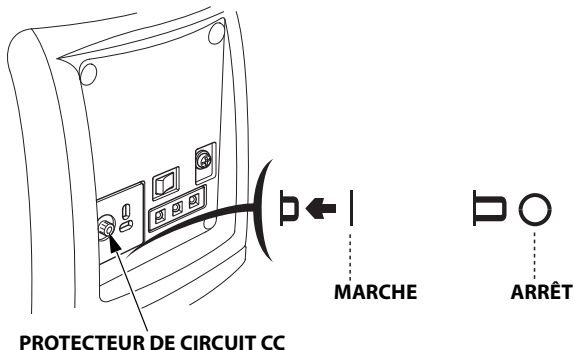
- Les batteries dégagent des gaz explosifs. S'ils s'enflamment, une explosion peut provoquer de graves brûlures de la peau ou des yeux. Assurer une ventilation adéquate lors de la mise en charge.
- **PRODUIT CHIMIQUE DANGEREUX:** L'électrolyte de batterie contient de l'acide sulfurique. Un contact avec les yeux ou la peau, même à travers un vêtement, peut provoquer de graves brûlures. Porter une visière et des vêtements de protection.
- Ne pas approcher de flammes et d'étincelles et ne pas fumer dans la zone de travail. **ANTIDOTE:** Si de l'électrolyte rentre dans les yeux, rincer à fond avec de l'eau chaude pendant au moins 15 minutes et consulter immédiatement un médecin.
- **POISON:** L'électrolyte est un poison.
ANTIDOTE:
 - Externe: Rincer abondamment à l'eau.
 - Interne: Boire de grandes quantités d'eau ou de lait.
Boire ensuite du lait de magnésium ou de l'huile végétale et consulter un médecin immédiatement.
- **TENIR HORS DE PORTEE DES ENFANTS.**

2. Démarrer le moteur.

NOTE:

- La prise CC peut être utilisée alors que l'alimentation secteur est utilisée.
- En cas de surcharge du circuit CC, son dispositif de protection se déclenche automatiquement (bouton sorti).

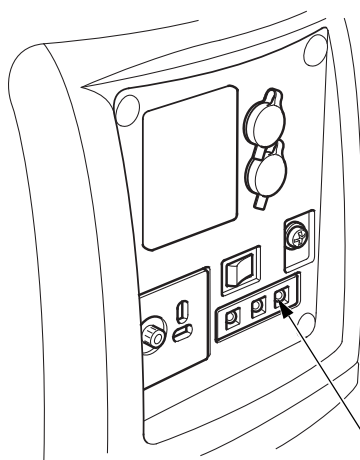
Dans ce cas, attendre quelques minutes avant de renfoncer le bouton pour remettre le groupe en marche.



Système d'alerte d'huile

Le système d'alerte d'huile est conçu pour empêcher des dommages au moteur causés par une quantité d'huile insuffisante dans le carter moteur. Avant que le niveau d'huile du carter moteur ne tombe en-deçà d'une limite sûre, le système d'alerte d'huile arrête automatiquement le moteur (le contacteur moteur reste en position MARCHÉ).

Si le système d'alerte d'huile arrête le moteur, le témoin d'alerte d'huile (rouge) s'allume lorsqu'on actionne le démarreur, et le moteur ne tourne pas. Dans un tel cas, vérifier le niveau d'huile moteur (voir page 17).



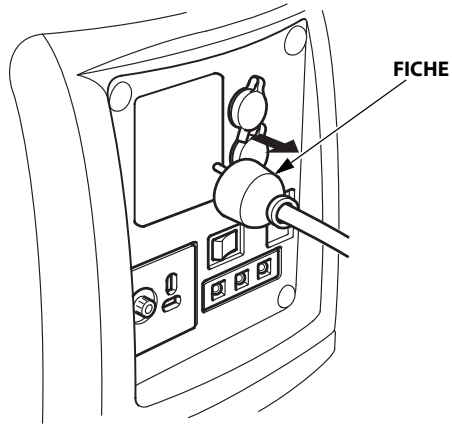
TEMOIN D'ALERTE D'HUILE (ROUGE)

7. ARRÊT DU MOTEUR

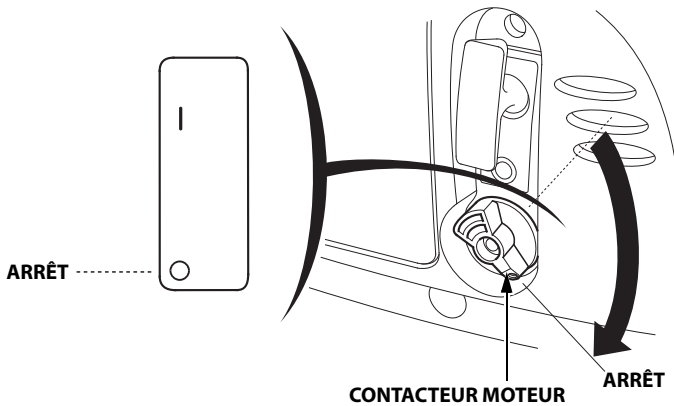
Pour arrêter le moteur en cas d'urgence, tourner le contacteur moteur vers la position ARRÊT.

EN USAGE NORMAL:

1. Mettre hors tension ou débrancher tous les appareils qui sont raccordés au groupe électrogène.

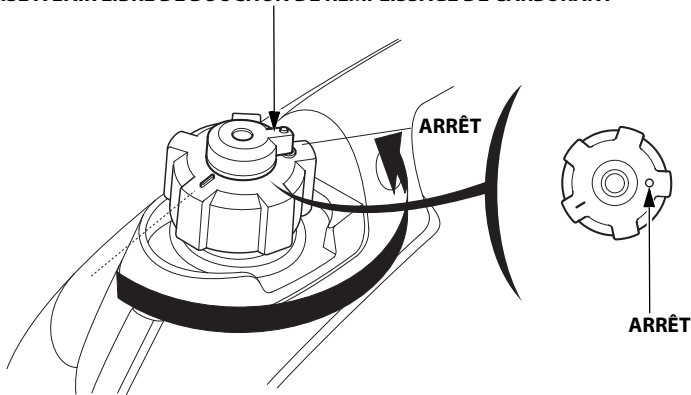


2. Mettre le contacteur moteur sur la position ARRÊT.



3. Laisser le moteur se refroidir complètement avant de tourner la mise à l'air libre du bouchon de remplissage de carburant sur la position ARRÊT.

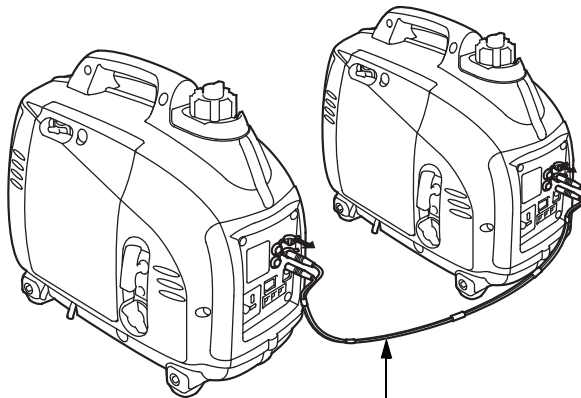
MISE À L'AIR LIBRE DE BOUCHON DE REMPLISSAGE DE CARBURANT



ATTENTION:

S'assurer que la mise à l'air libre de bouchon de remplissage de carburant et le contacteur moteur se trouvent sur la position ARRÊT lors de l'arrêt, du transport et/ou du remisage du groupe électrogène.

4. Si deux groupes électrogènes ont été raccordés, débrancher le câble de fonctionnement en parallèle après avoir arrêté les moteurs.



CABLE SPECIAL POUR UTILISATION EN PARALLELE

Le programme d'entretien et de réglage est destiné à maintenir le groupe électrogène dans des conditions de fonctionnement optimales. Effectuer les opérations de contrôle et d'entretien comme prévu dans le tableau ci-dessous.

▲ AVERTISSEMENT

S'assurer que le moteur est arrêté avant d'effectuer un entretien ou une réparation. Ceci éliminera plusieurs risques potentiels:

- **Empoisonnement par le monoxyde de carbone présent dans les gaz d'échappement. Avant de faire tourner le moteur, toujours s'assurer que l'aération est suffisante.**
- **Brûlures provoquées par des pièces à haute température. Attendre que le moteur et le système d'échappement soient froids avant de les toucher.**
- **Blessures par pièces mobiles. Ne faire tourner le moteur que si cela est indiqué dans le manuel.**

Le silencieux devient brûlant pendant le fonctionnement et reste chaud quelques temps après l'arrêt du moteur. Prendre garde de ne pas toucher le silencieux tant qu'il est brûlant. Attendre que le moteur se soit refroidi avant toute intervention.

ATTENTION:

Utiliser des pièces d'origine Honda ou leurs équivalents. Des pièces de rechange de qualité non équivalente peuvent endommager le groupe électrogène.

Programme d'entretien

INTERVALLE D'ENTRETIEN RÉGULIER (1) Action à effectuer à chaque mois ou intervalle de fonctionnement indiqué, au premier des deux termes échu.		A chaque utilisa- tion	Premier mois ou 10 h	Tous les 3 mois ou 50 h	Tous les 6 mois ou 100 h	Tous les 2 ans ou 300 h	Page
Élément							
Huile moteur	Contrôler le niveau	o					16
	Remplacer		o		o		40
Filtre à air	Contrôler	o					20
	Nettoyer			o (2)			41
Bougie	Contrôler-Régler				o		42
	Remplacer					o	
Jeu aux soupapes	Contrôler-Régler					o (3)	-
Chambre de combustion	Nettoyer	Toutes les 300 h (3)					-
Réservoir de carburant et filtre	Nettoyer	Tous les ans (3)					-
Tuyau de carburant	Contrôler	Tous les 2 ans (remplacer si nécessaire) (3)					-

- NOTE:**
- (1) Pour un usage commercial, consigner les heures de fonctionnement pour déterminer les intervalles d'entretien adéquats.
 - (2) Entretien plus fréquent pour une utilisation dans des endroits poussiéreux.
 - (3) L'entretien de ces éléments doit être confié à votre concessionnaire, à moins que l'utilisateur ne dispose des outils appropriés et ne soit mécaniquement compétent. Se reporter au Manuel d'atelier Honda pour les procédures d'entretien.

1. REMPLACEMENT DE L'HUILE

Vidanger l'huile lorsque le moteur est chaud afin de garantir une vidange rapide et complète.

ATTENTION:

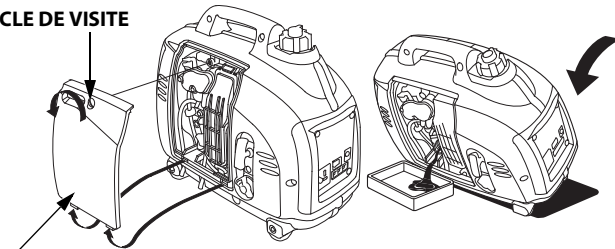
Veiller à placer le contacteur moteur et la mise à l'air libre de bouchon de remplissage de carburant en position ARRÊT avant de procéder à la vidange.

1. Desserrer la vis du couvercle de visite et déposer le couvercle de visite.
2. Déposer le bouchon de remplissage d'huile.
3. Evacuer totalement l'huile usagée dans un bac approprié.
4. Faire l'appoint d'huile recommandée (voir page 16), et vérifier le niveau d'huile.

CONTENANCE EN HUILE MOTEUR: 0,25 litre

5. Essuyer toute huile renversée sur le groupe électrogène.
6. Reposer fermement le bouchon de remplissage d'huile.
7. Reposer le couvercle de visite et serrer à fond la vis du couvercle de visite.

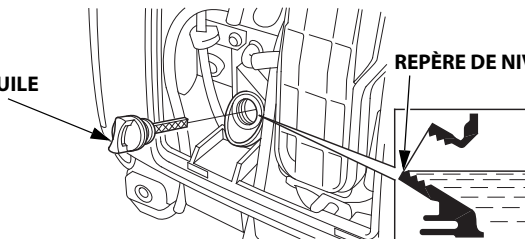
VIS DE COUVERCLE DE VISITE



COUVERCLE DE VISITE

BOUCHON DE REMPLISSAGE D'HUILE

REPÈRE DE NIVEAU MAXIMUM



Se laver les mains au savon et à l'eau après avoir manipulé l'huile usagée.

NOTE:

Respecter la réglementation environnementale en vigueur pour la mise au rebut de l'huile usagée. Nous suggérons de la transporter dans un bidon fermé hermétiquement jusqu'à la station-service la plus proche pour recyclage. Ne pas la jeter aux ordures ni la répandre sur le sol.

2. ENTRETIEN DU FILTRE À AIR

Un filtre à air encrassé limite l'alimentation en air du carburateur. Afin de prévenir tout dysfonctionnement du carburateur, procéder régulièrement à l'entretien du filtre à air. Entretien plus fréquent si le groupe électrogène est utilisé en zones extrêmement poussiéreuses.

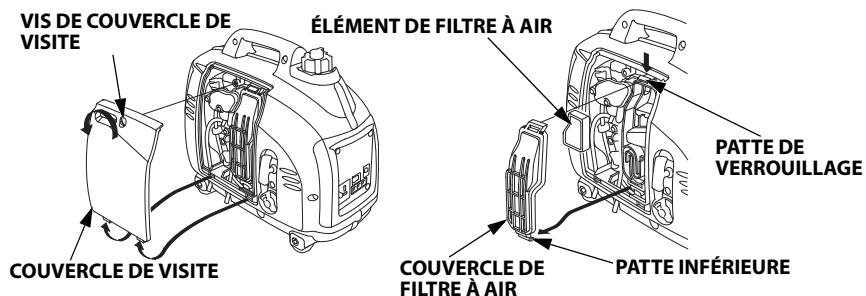
⚠ AVERTISSEMENT

Ne pas utiliser d'essence ou de solvants à faible point d'éclair pour le nettoyage. Ces produits sont inflammables et peuvent exploser sous certaines conditions.

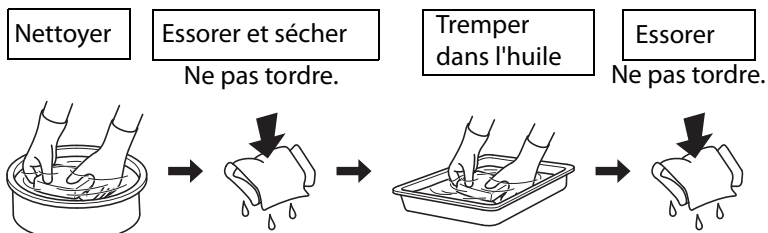
ATTENTION:

Ne jamais utiliser le groupe électrogène sans filtre à air, car cela peut entraîner une usure prématurée du moteur.

1. Desserrer la vis du couvercle de visite et déposer le couvercle de visite.
2. Appuyer sur la patte de verrouillage sur le sommet du corps de filtre à air, puis déposer le couvercle de filtre à air.



3. Nettoyer dans de l'eau savonneuse chaude, rincer et laisser sécher complètement ou nettoyer dans un solvant ininflammable et laisser sécher. Tremper l'élément dans de l'huile moteur propre, puis en essorer l'huile en excès. Le moteur fumera lors du démarrage initial si trop d'huile est restée dans la mousse.



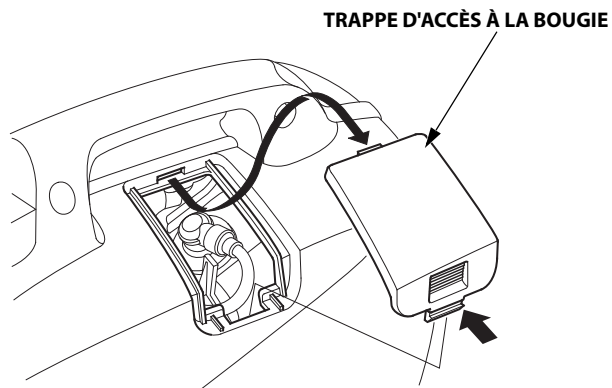
4. Reposer l'élément de filtre à air.
5. Reposer le couvercle de filtre à air en insérant la patte inférieure et la patte de verrouillage.
6. Reposer le couvercle de visite et serrer à fond la vis du couvercle de visite.

3. ENTRETIEN DE LA BOUGIE

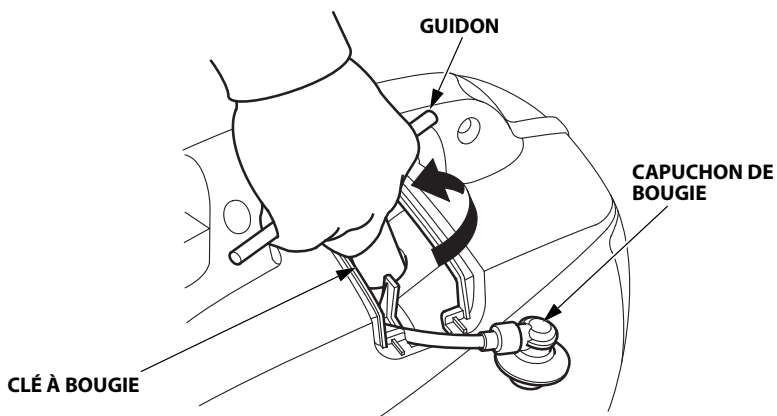
BOUGIE RECOMMANDÉE: LR4C-E (NGK)

Pour assurer un bon fonctionnement du moteur, l'écartement des électrodes de la bougie doit être correct et il ne doit pas y avoir des traces de dépôts.

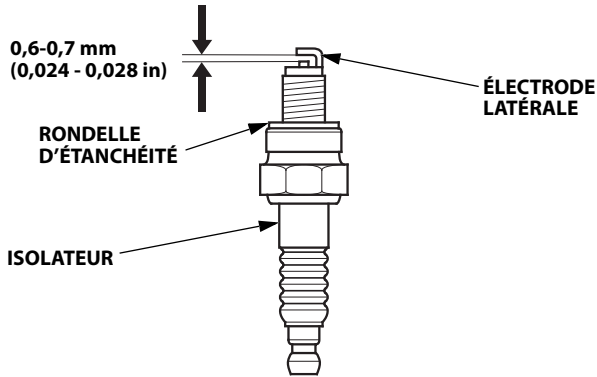
1. Déposer le couvercle de maintenance de bougie d'allumage.



2. Déposer le capuchon de bougie.
3. Nettoyer toute saleté accumulée autour du culot de la bougie.
4. Utiliser un clé à bougie pour déposer la bougie d'allumage.



5. Contrôler visuellement l'état de la bougie. La mettre au rebut si son isolant est fendillé, écaillé ou encrassé. Nettoyer la bougie avec une brosse métallique si elle doit être réutilisée.
6. Mesurer l'écartement des électrodes avec une jauge d'épaisseur. Si nécessaire, le corriger en repliant soigneusement l'électrode latérale. L'écartement des électrodes doit être de:
0,6–0,7 mm



7. Visser la bougie à la main pour empêcher la détérioration des filets.
8. Si la bougie est neuve, la visser à la main jusqu'à ce qu'elle vienne en butée, puis la serrer d'encre 1/2 tour avec une clé pour comprimer sa rondelle d'étanchéité. Si elle est usagée, la serrer de 1/8 à 1/4 de tour supplémentaire après butée.

COUPLE DE SERRAGE: 12 N·m

9. Réinstaller solidement le capuchon de bougie d'allumage sur la bougie d'allumage.
10. Reposer la trappe d'accès à la bougie d'allumage.

ATTENTION:

- **La bougie d'allumage doit être bien serrée. Si elle est mal serrée, elle risque de devenir très chaude, ce qui peut entraîner une détérioration du groupe électrogène.**
- **Ne pas utiliser une bougie d'allumage d'une plage thermique incorrecte.**

9. TRANSPORT/REMISAGE

Pour éviter de répandre l'essence lors du transport ou pendant un remisage provisoire, le groupe électrogène doit être maintenu à la verticale dans sa position d'utilisation normale, avec le contacteur moteur en position ARRÊT. Tourner la mise à l'air libre de bouchon de remplissage de carburant à fond dans le sens inverse des aiguilles d'une montre sur la position ARRÊT. Laisser le moteur se refroidir complètement avant de tourner la mise à l'air libre de bouchon de remplissage de carburant sur la position ARRÊT.

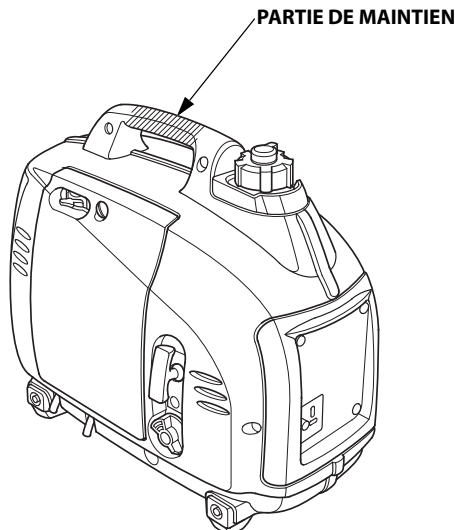
▲ AVERTISSEMENT

Transport du groupe électrogène:

- **Ne pas trop remplir le réservoir (il ne doit pas y avoir d'essence dans le goulot de dispositif de remplissage).**
- **Ne pas faire fonctionner le groupe électrogène lorsqu'il se trouve sur un véhicule. Descendre le groupe électrogène du véhicule et l'utiliser dans un endroit bien aéré.**
- **Éviter un endroit exposé aux rayons directs du soleil en mettant le groupe électrogène sur un véhicule. Si le groupe électrogène est laissé pendant de nombreuses heures dans un véhicule fermé, la température élevée à l'intérieur du véhicule peut faire se vaporiser l'essence, entraînant une possible explosion.**
- **Ne pas conduire sur une route accidentée pendant une période prolongée avec le groupe électrogène à bord. Si l'on doit transporter le groupe électrogène sur une route accidentée, vidanger à l'avance l'essence du groupe électrogène.**

NOTE:

Pour transporter le groupe électrogène, le tenir par la partie de maintien (parties grisées sur la figure ci-dessous).



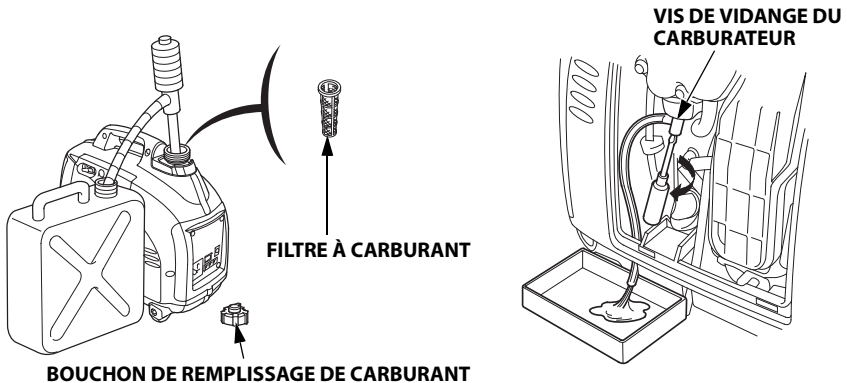
Avant de remettre l'appareil pendant une période prolongée:

1. S'assurer que le lieu de remisage n'est pas excessivement humide ou poussiéreux.
2. Vidanger le carburant.

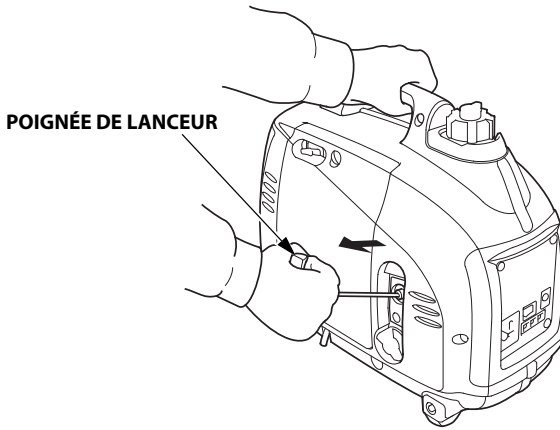
▲ AVERTISSEMENT

L'essence est hautement inflammable et peut exploser dans certaines conditions. Effectuer la tâche dans une zone bien aérée avec le moteur arrêté. Ne pas fumer ni autoriser de flammes ou d'étincelles dans la zone pendant cette procédure.

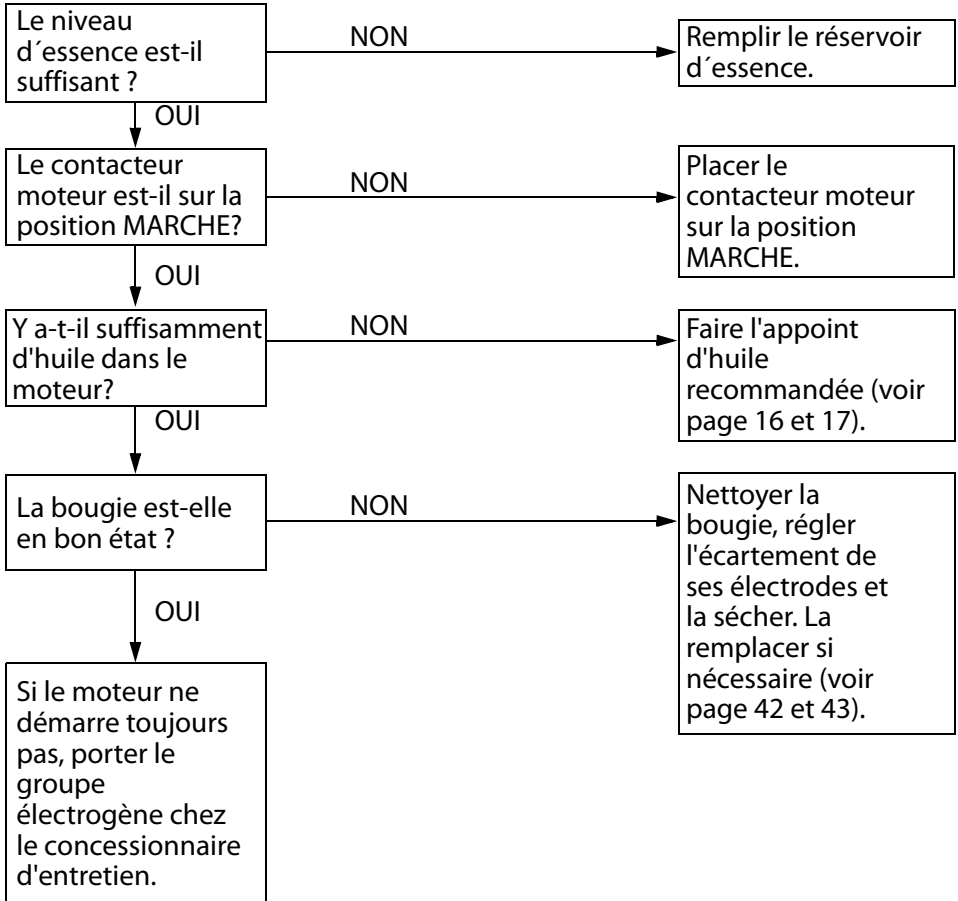
- a. Purgez la totalité du carburant du réservoir dans un récipient homologué pour le stockage de l'essence. Nous recommandons l'utilisation d'une pompe à essence à main en vente dans le commerce. Ne pas utiliser une pompe électrique. Reposer le filtre à carburant et le bouchon de remplissage de carburant.
- b. Desserrer la vis du couvercle de visite et déposer le couvercle de visite (voir page 40).
- c. Desserrer la vis de vidange de carburateur, et vidanger l'essence du carburateur dans un récipient approprié.
- d. Retirer le couvercle de visite de bougie et le bouchon de bougie (voir page 42).
- e. Placer le contacteur moteur sur la position MARCHE (voir page 21).
- f. Tirer doucement la poignée de lanceur (voir page 22) 3 ou 4 fois, pour vidanger l'essence dans un récipient convenable.
- g. Mettre le contacteur moteur sur la position ARRÊT.
- h. Serrer la vis de vidange de carburateur.



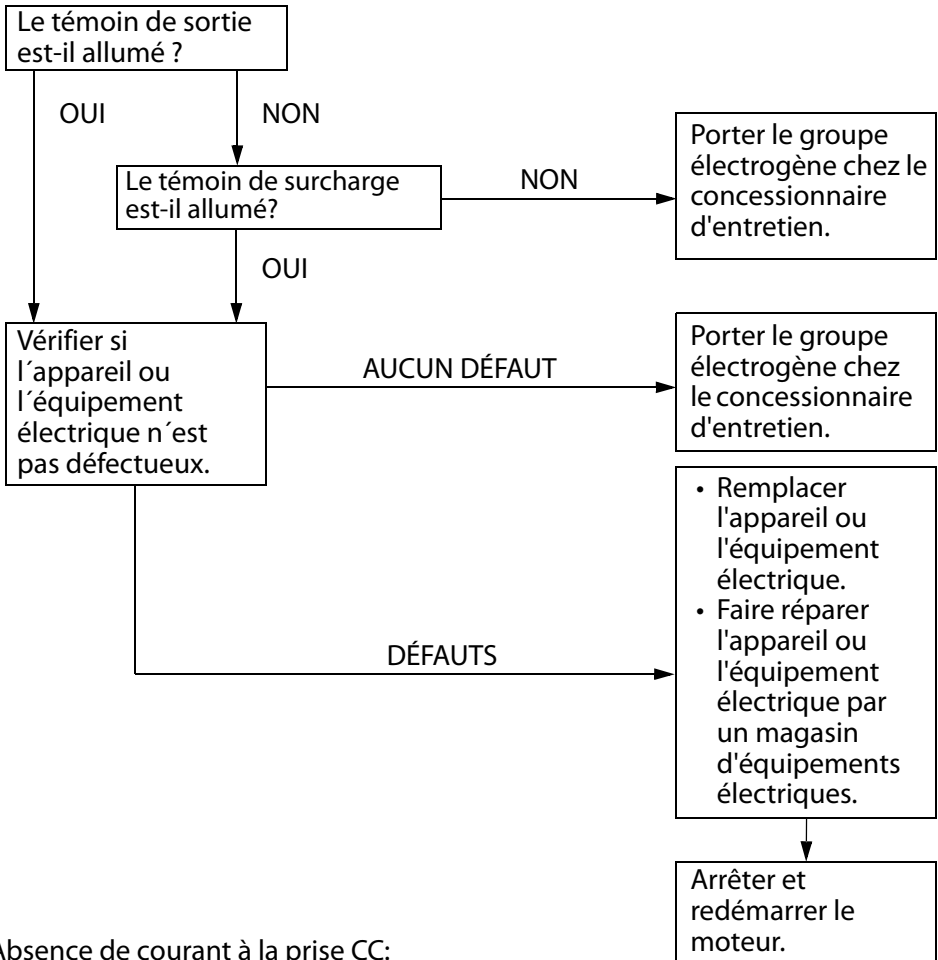
-
3. Remplacer l'huile moteur (voir page 40).
 4. Déposer la bougie d'allumage et verser une cuillerée d'huile moteur propre dans le cylindre. Lancer le moteur de plusieurs tours pour distribuer l'huile, puis reposer la bougie.
 5. Reposer soigneusement le capuchon de bougie et le cache de visite de bougie.
 6. Reposer le couvercle de visite et serrer à fond la vis du couvercle de visite.
 7. Tirer lentement sur la poignée de lanceur jusqu'à ce qu'une résistance soit ressentie. A ce moment-là, le piston se trouve sur sa course de compression et les soupapes d'admission et d'échappement sont toutes deux fermées. Le fait de remettre le moteur dans cet état contribue à le protéger contre la corrosion interne.



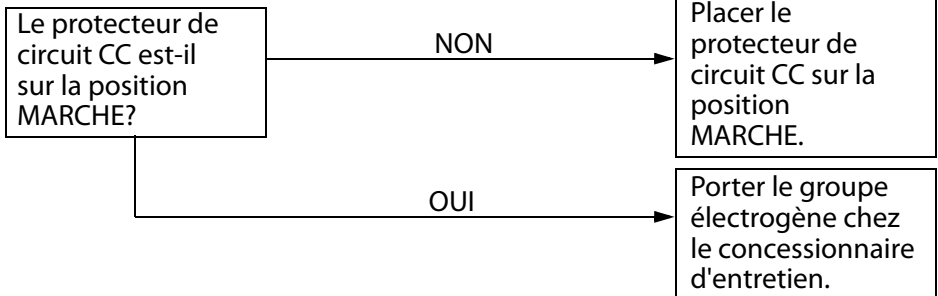
Si le moteur ne démarre pas:



L'appareil ne fonctionne pas:



Absence de courant à la prise CC:



11. CARACTÉRISTIQUES

Dimension et poids

Modèle	EU10iT1	
Type	G, B, F, W, CL, U	GW1
Code de description	EAAT	
Longueur	451 mm	456 mm
Largeur	242 mm	
Hauteur	379 mm	
Poids à sec	13 kg	

Moteur

Modèle	GXH50T	
Type de moteur	Monocylindre à 4 temps à soupape en tête	
Cylindrée	49,4 cm ³	
Alésage×course	41,8×36,0 mm	
Taux de compression	8,0:1	
Régime moteur	4 000-6 000 min ⁻¹ 5 500-6 000 min ⁻¹ (Eco throttle en position ARRÊT)	
Refroidissement	Forcé par circulation d'air	
Allumage	Complètement transistorisé	
Contenance en huile moteur	0,25 l	
Contenance du réservoir de carburant	2,1 litres	
Bougie	LR4C-E (NGK)	

[Émissions de dioxyde de carbone (CO₂)*]

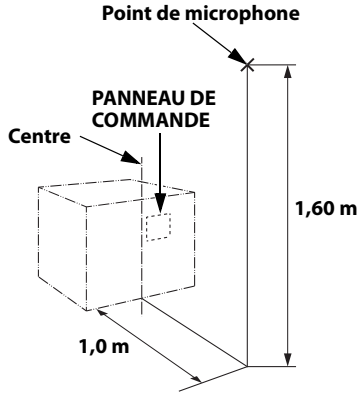
Se reporter à "Liste des informations CO₂" sur www.honda-engines-eu.com/co2

* La mesure du CO₂ provient d'un test sur un cycle fixe sous des conditions en laboratoire d'un moteur (parent) représentant le type de moteur (famille de moteur) et n'impliquera ni ne sera la preuve de la garantie de la performance d'un moteur particulier.

Génératrice

Modèle	EU10iT1		
Type	G, GW1, B, F, W, CL	U	
Puissance CA	Tension nominale	230 V	240 V
	Fréquence nominale	50 Hz	50 Hz
	Courant nominal	3,9 A	3,8 A
	Puissance nominale	0,9 kVA	
	Puissance maximale	1,0 kVA	
Sortie CC nominale	Uniquement pour la charge de batteries automobiles 12 V. 12 V, 8 A		

Bruit

Modèle	EU10iT1	
Type	G, GW1, B, F, W, CL	U
Niveau de pression acoustique au poste de travail (2006/42/EC)	67 dB (A)* (avec interrupteur Eco-Throttle en position MARCHE)	–
 <p>Point de microphone</p> <p>PANNEAU DE COMMANDE</p> <p>Centre</p> <p>1,60 m</p> <p>1,0 m</p>		
Incertitude	–	–
Niveau de puissance acoustique mesuré (2000/14/CE, 2005/88/CE)	84 dB (A) (avec interrupteur Eco-Throttle en position MARCHE)	–
Incertitude	3 dB (A)	–
Niveau de puissance acoustique garanti (2000/14/CE, 2005/88/CE)	87 dB (A) (avec interrupteur Eco-Throttle en position MARCHE)	–

* Inférieur à 70 dB (A)

"Les chiffres cités sont des niveaux d'émission et ne correspondent pas nécessairement à des niveaux sûrs pour le travail. Bien qu'une corrélation existe entre les niveaux d'émission et d'exposition, ceci ne peut pas être utilisé de manière fiable pour déterminer s'il convient ou non de prendre des précautions supplémentaires. Parmi les facteurs ayant une incidence sur le niveau réel d'exposition de la main-d'oeuvre, on compte les caractéristiques de la salle de travail, les autres sources de bruit, etc. et notamment le nombre de machines et autres opérations voisines et la durée d'exposition au bruit de l'opérateur. Il faut également noter que le niveau d'exposition autorisé diffère selon les pays. Ces informations permettront, toutefois, à l'utilisateur de la machine de mieux évaluer les dangers et risques.

NOTE:

Les caractéristiques sont susceptibles d'être modifiées sans préavis.

12. SCHÉMA DE CÂBLAGE

INDEX

(Voir la troisième de couverture)

Types G, GW1, B, F, W, CL	W-1
Type U	W-2

ABRÉVIATIONS

Symbole	Désignation
ACOR	Prise de sortie CA
B	Type B
CL	Type CL
COT	Prise composite
CPB	Bloc panneau de commande
DC, D	Diode CC
DCOR	Prise de sortie CC
DC, W	Enroulement CC
EcoSw	Interrupteur Eco Throttle
EgB	Bloc moteur
EgG	Masse de moteur
ESw	Commutateur du moteur
ExW	Enroulement d'excitation
F	Type F
FrB	Bloc châssis
FrG	Masse de châssis
GeB	Bloc génératrice
G, GW1	Types G, GW1
GT	Borne de masse
IB	Bloc onduleur
IgC	Bobine d'allumage
IU	Unité onduleur
MW	Enroulement principal
OAL	Témoin d'alerte d'huile
OI	Témoin de surcharge
OLSw	Contacteur de niveau d'huile
PC	Bobine de pulsation
PL	Témoin de sortie
SP	Bougie
SpU	Unité bougie
StpM	Moteur pas à pas
SW	Enroulement secondaire
W	Type W

CODE COULEUR DE FIL




Bl	NOIR
Y	JAUNE
Bu	BLEU
G	VERT
R	ROUGE
W	BLANC
Br	MARRON
Lg	VERT CLAIR
Gr	GRIS
Sb	BLEU CIEL
O	ORANGE
P	ROSE

CONNEXIONS DE COMMUTATEUR

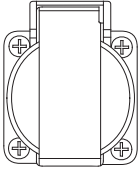

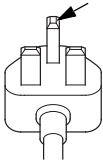
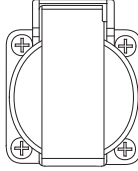

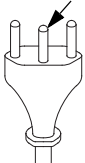
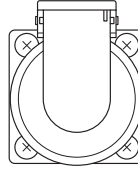

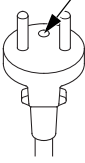
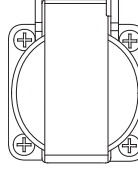

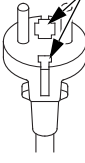
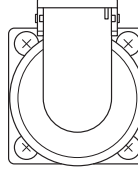
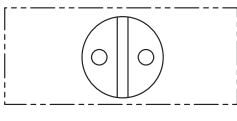

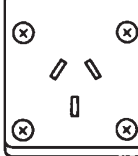


CONTACTEUR MOTEUR

	G	Bl
ARRÊT	o	o
MARCHE		

INTERRUPTEUR ECO

		R/W	R/Y
MAR- CHE			
			
AR- RÊT		o	o

PRISE

Type	Forme		Modèle de prise
B			BROCHE DE MASSE 
W			BROCHE DE MASSE 
F			BROCHE DE MASSE 
G, CL			BROCHE DE MASSE 
GW1			BROCHE DE MASSE 
U			BROCHE DE MASSE 

Honda EU10i

BEDIENUNGSANLEITUNG
Originalbetriebsanleitung



Wir danken Ihnen für den Kauf eines Honda-Generators.

Diese Anleitung erläutert den Betrieb und die Wartungsschritte für das Generatormodell EU10i.

Das Handbuch enthält alle zur Zeit der Drucklegung erhältlichen neuesten Informationen.

Honda Motor Co., Ltd. behält sich das Recht vor, jederzeit ohne Vorankündigung Änderungen vorzunehmen, ohne irgendwelche Verpflichtungen einzugehen.

Kein Teil dieser Veröffentlichung darf ohne schriftliche Genehmigung reproduziert werden.

Diese Anleitung muss als Teil des Generators betrachtet werden und bei seinem Verkauf weitergegeben werden.

Widmen Sie Ihre besondere Aufmerksamkeit denjenigen Hinweisen und Anweisungen, die wie folgt gekennzeichnet sind:

▲ WARNUNG **Weist bei Nichtbefolgung auf schwere Verletzungen oder Todesfolge hin.**

VORSICHT: **Zeigt mögliche Verletzungsgefahr oder Beschädigung des Geräts an, wenn die Anweisungen nicht befolgt werden.**

HINWEIS: Vermittelt hilfreiche Informationen.

Falls Störungen auftreten, oder wenn Sie irgendwelche Fragen zum Generator haben, wenden Sie sich an einen autorisierten Honda-Händler.

▲ WARNUNG

Honda-Generatoren sind für einen sicheren und zuverlässigen Betrieb ausgelegt, sofern sie entsprechend den Anweisungen betrieben werden. Lesen Sie die Bedienungsanleitung gründlich, bevor Sie den Generator in Betrieb nehmen. Anderenfalls können Personenverletzungen und/oder Geräteschäden verursacht werden.

Die Abbildung kann je nach Typ unterschiedlich sein.

INHALT

1. SICHERHEITSANWEISUNGEN	3
2. LAGE DER SICHERHEITSAUFKLEBER.....	7
• Lage der CE-Spezifizierung und des Geräuschpegel-Hinweisschilds	11
3. BEZEICHNUNG DER TEILE	12
4. ÜBERPRÜFUNGEN VOR INBETRIEBNAHME	16
5. ANLASSEN DES MOTORS	21
• Vergasermodifikation für Betrieb in großer Höhenlage	24
6. BENUTZUNG DES GENERATORS.....	25
7. ABSTELLEN DES MOTORS	37
8. WARTUNG.....	39
9. TRANSPORT/LAGERUNG	44
10.FEHLERSUCHE	47
11.TECHNISCHE DATEN	49
12.SCHALTPLAN	51
STECKDOSE.....	52
ADRESSEN DER HAUPT-Honda-VERTEILER.....	Dritte Umschlagseite
"EU-Konformitätserklärung" INHALTSÜBERSICHT	Dritte Umschlagseite

WICHTIGER SICHERHEITSHINWEIS

Honda-Generatoren sind zum Betrieb von elektrischen Ausrüstungen mit geeigneten Leistungsanforderungen ausgelegt. Andere Anwendungen können zu Verletzungen der Bedienungsperson und zu einer Beschädigung des Generators sowie anderen Sachschäden führen.

Die meisten Verletzungen und Sachschäden lassen sich vermeiden, wenn alle Anweisungen in dieser Anleitung und alle am Generator angebrachten Anweisungen befolgt werden. Nachfolgend sind die üblichsten Gefahren mit entsprechenden Schutzmaßnahmen beschrieben.

Der Generator darf in keiner Weise modifiziert werden. Dies kann einen Unfall und eine Beschädigung des Generators sowie von Geräten zur Folge haben. Bei Veränderungen am Motor erlischt die EU-Typgenehmigung dieses Motors.

- Keine Verlängerung am Auspufftopf anschließen.
- Keine Veränderungen am Ansaugsystem vornehmen.
- Den Regler nicht einstellen.
- Das Bedienpult nicht abnehmen und dessen Verkabelung nicht verändern.

Verantwortung der Bedienungsperson

Sie müssen den Generator in einem Notfall schnell stoppen können.

Machen Sie sich mit allen Bedienungselementen, Ausgangssteckdosen und Anschlüssen des Generators vertraut.

Vergewissern Sie sich, dass jede Person, die den Generator bedient, richtig eingewiesen worden ist. Sorgen Sie dafür, dass Kinder ohne Aufsicht keinen Zugang zum Generator haben.

Befolgen Sie die Anweisungen in diesem Handbuch hinsichtlich des Gebrauchs und der Wartung des Generators. Nichtbeachtung oder falsche Ausführung der gegebenen Anweisungen kann zu Unfällen, z. B. durch Stromschläge, und zu einer Verschlechterung der Abgasbeschaffenheit führen.

Beachten Sie bitte alle für den Einsatzbereich des Generators geltenden Vorschriften und Gesetze.

Benzin und Öl sind giftig. Vor Gebrauch die Anweisungen des jeweiligen Herstellers lesen und befolgen.

Den Generator auf einer festen, ebenen Stelle absetzen.

Den Generator nicht betreiben, wenn irgendeine Abdeckung abgenommen ist. Dies würde erhöhte Unfallgefahr bedeuten, und Sie könnten sich mit einer Hand oder einem Fuß im Generator verfangen.

Bezüglich Zerlegungs- und Wartungsverfahren des Generators, die in diesem Handbuch nicht beschrieben sind, wenden Sie sich bitte an Ihren Honda-Händler.

Kohlenmonoxid-Gefahr

Abgase enthalten Kohlenmonoxid, ein farb- und geruchloses Giftgas. Einatmung von Abgasen kann Bewusstlosigkeit verursachen und tödlich wirken.

Wenn Sie den Generator in einem geschlossenen oder auch nur teilweise geschlossenen Raum laufen lassen, kann die Luft, die Sie einatmen, eine gefährliche Abgasmenge enthalten.

Der Generator darf auf keinen Fall in einer Garage, in einem Haus bzw. in der Nähe geöffneter Fenster oder Türen betrieben werden.

Stromschlaggefahr

Der Generator erzeugt so viel elektrische Energie, dass Missbrauch zu Stromschlägen führen kann, die tödlich ausgehen können.

Gebrauch eines Generator oder elektrischen Gerätes unter feuchten Bedingungen, wie z. B. bei Regen oder Schnee, in der Nähe eines Schwimmbeckens oder einer Beregnungsanlage, bzw. mit nassen Händen, kann zu tödlichen Stromschlägen führen.

Sorgen Sie stets dafür, dass der Generator trocken bleibt.

Wenn der Generator im Freien, ungeschützt vor Wetter, abgestellt ist, sind alle elektrischen Komponenten am Bedienpult vor jedem Gebrauch zu überprüfen. Feuchtigkeit oder Eis kann Funktionsstörungen und Kurzschlüsse bei elektrischen Komponenten und damit tödliche Stromschläge verursachen.

Wenn Sie einen Stromschlag erlitten haben, begeben Sie sich unverzüglich in ärztliche Behandlung.

Brand- und Verbrennungsgefahr

Den Generator nicht in einer Umgebung betreiben, in der hohe Brandgefahr besteht.

Die Auspuffanlage wird so heiß, dass sich gewisse Materialien an ihr entzünden können.

- Halten Sie den Generator während des Betriebs mindestens 1 Meter von Gebäuden und anderen Geräten fern.
- Der Generator darf auf keine Weise umschlossen werden.
- Halten Sie brennbare Materialien vom Generator fern.

Gewisse Teile des Verbrennungsmotors können so heiß werden, dass man sich daran verbrennen kann. Achten Sie auf die am Generator angebrachten Warnhinweise.

Der Auspufftopf wird während des Betriebs sehr heiß und bleibt auch nach dem Abstellen des Motors eine gewisse Zeit lang heiß. Darauf achten, den Auspufftopf in heißem Zustand nicht zu berühren. Den Motor abkühlen lassen, bevor der Generator in einem geschlossenen Raum abgestellt wird.

Falls ein Brand ausbricht, darf Wasser nicht direkt über den Generator gegossen werden. In diesem Fall ist ein speziell für elektrische Brände oder Ölbrände entwickelter Feuerlöscher einzusetzen.

Bei Einatmung von Rauchgasen im Falle eines Generatorbrands begeben Sie sich unverzüglich in ärztliche Behandlung.

Vorsicht beim Tanken

Benzin ist außerordentlich feuergefährlich, Benzindampf kann explodieren. Lassen Sie den Motor nach Betrieb des Generators abkühlen.

Tanken Sie nur im Freien in einem gut belüfteten Bereich bei gestopptem Motor.

Während des Betriebs darf nicht nachgetankt werden.

Den Tank nicht überfüllen.

In der Nähe von Benzin darf nicht geraucht werden, jegliche Flammen und Funken sind fern zu halten.

Bewahren Sie Benzin stets in einem zugelassenen Behälter auf.

Eventuell verschüttetes Benzin muss vollständig aufgewischt werden, bevor der Motor gestartet wird.

Explosionssicher

Dieser Generator erfüllt nicht die Explosionssicherheitsanforderungen.

Entsorgung

Aus Umweltschutzgründen dürfen Generator, Batterie, Motoröl usw. nicht einfach in den Abfall gegeben werden.

Beachten Sie alle örtlichen Gesetze und Vorschriften hinsichtlich der korrekten Entsorgung derartiger Teile und Stoffe. Ihr autorisierter Honda-Generator-Händler berät Sie dabei gerne.

Bei der Beseitigung des Altöls bitte die entsprechenden Umweltschutzbestimmungen beachten. Wir empfehlen, dass Sie das Altöl zu Ihrer örtlichen Tankstelle bringen. Das gebrauchte Motoröl nicht in den Abfall werfen oder auf den Boden gießen.

Eine unsachgemäß entsorgte Batterie kann die Umwelt schädigen. Halten Sie sich beim Entsorgen von Batterien stets an örtlich geltende Vorschriften. Bezüglich Ersatz wenden Sie sich bitte an Ihre Kundendienstwerkstatt.

ENTSORGUNG DES STROMERZEUGERS



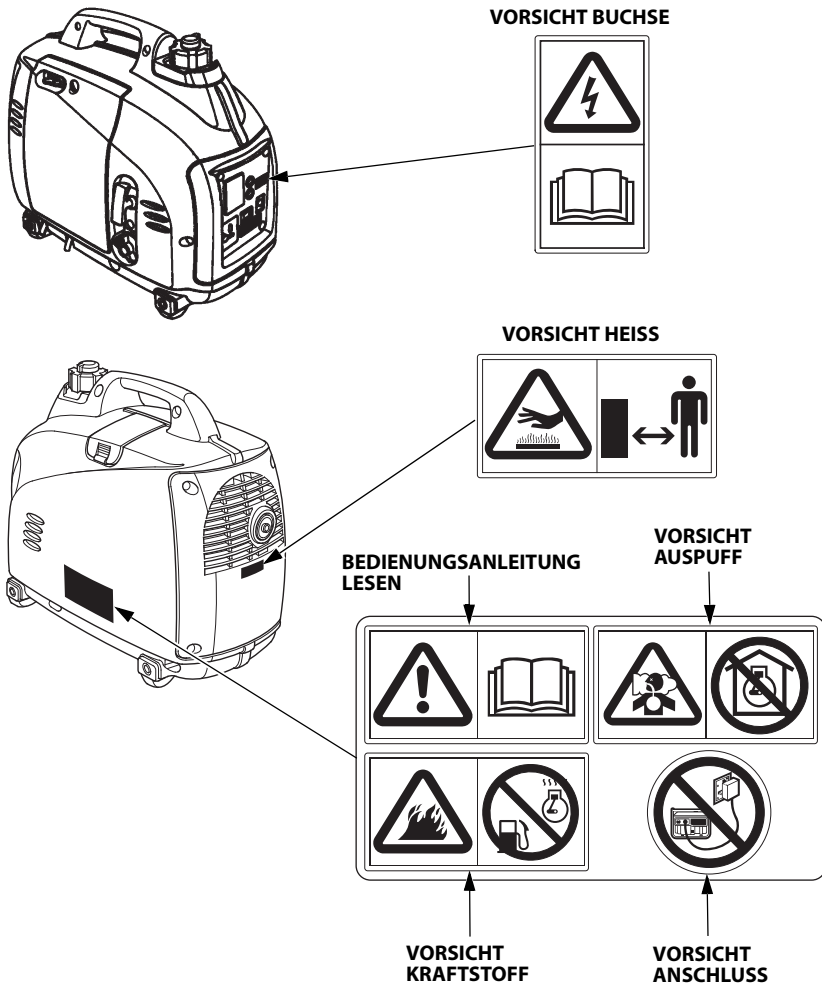
Elektrische Geräte gehören nicht in den Hausmüll. Bei der Entsorgung elektrischer Geräte auf Abfalldeponien und Müllhalden können gesundheitsschädliche Stoffe freigesetzt werden und in die Nahrungskette eintreten. Weitere Informationen zur fachgerechten Entsorgung dieses Produkts erhalten Sie von Ihrem Händler oder der örtlichen Entsorgungsstelle.

2. LAGE DER SICHERHEITSaufkleber

Diese Aufkleber informieren über potentielle Gefahrenquellen, die schwere Verletzungen verursachen können. Die in dieser Anleitung erwähnten Hinweisschilder und Sicherheitshinweise sorgfältig durchlesen.

Wenn sich ein Aufkleber abgelöst hat oder schwer leserlich geworden ist, wenden Sie sich an Ihren Wartungshändler, um einen Ersatz zu bekommen.

Für europäische Modelle: Typen G, GW1, B, F, W, CL

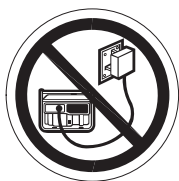




- **Der Honda-Generator ist für sicheren und zuverlässigen Betrieb konstruiert, wenn er gemäß der Betriebsanleitung bedient wird. Lesen Sie zum Verständnis die Bedienungsanleitung durch, bevor Sie den Generator in Betrieb nehmen. Anderenfalls können Personenverletzungen und/oder Geräteschäden verursacht werden.**



- **Abgase enthalten Kohlenmonoxid, ein farb- und geruchloses Giftgas. Einatmung von Kohlenmonoxid kann Bewusstlosigkeit verursachen und tödlich wirken.**
- **Wenn Sie den Generator in einem geschlossenen oder auch nur teilweise geschlossenen Raum laufen lassen, kann die Luft, die Sie einatmen, eine gefährliche Abgasmenge enthalten.**
- **Der Generator darf auf keinen Fall in einer Garage, in einem Haus bzw. in der Nähe geöffneter Fenster oder Türen betrieben werden.**



- **Falsche Anschlüsse an das elektrische Leitungssystem eines Gebäudes können zur Einspeisung von Strom vom Generator in das Netz führen. Dieser Vorgang kann zu lebensgefährlichen Stromschlägen für Beschäftigte des Stromversorgungsunternehmens oder andere Personen führen, die während eines Stromausfalls Netzleitungen berühren. Außerdem kann der Generator bei erneuter Zuschaltung der Netzspannung explodieren, Feuer fangen oder einen Brand verursachen. Bevor Sie derartige Stromanschlüsse herstellen, setzen Sie sich mit dem Stromversorgungsunternehmen oder einem Fachmann in Verbindung.**



- **Benzin ist hochentzündlich und explosionsfähig. Zum Betanken den Motor abstellen und abkühlen lassen.**



- **Die Anschlussbox für Parallelbetrieb bei gestopptem Motor anschließen und trennen.**
- **Für Einzelbetrieb muss die Anschlussbox für Parallelbetrieb abgetrennt werden.**



- **An einer heißen Auspuffanlage kann man sich ernsthafte Verbrennungen zuziehen. Wenn der Motor in Betrieb war, ist Berührung zu vermeiden.**

Typ U und Typ CL

[Typ CL]

ADVERTENCIA DE SEGURIDAD
De acuerdo a la resolución exenta N° 1495 de la SEC.

La gasolina es altamente inflamable y explosiva, Usted puede resultar con quemaduras o seriamente herido si la gasolina se enciende.

■ Antes de rellenar con combustible, detenga el motor y mantenga lejos las fuentes de calor, chispas y llamas.

■ Manipule el combustible solamente en espacios exteriores.

■ No llene el estanque de combustible sobre su nivel máximo.

■ Limpie inmediatamente cualquier salpicadura de combustible.

■ Después de funcionar, llave el interruptor de encendido y la tapa del estanque de combustible a la posición "OFF" para prevenir fugas de combustible.

Los gases de escape contienen monóxido de carbono que es venenoso, y puede ser peligroso al inhalarse en espacios cerrados. Respirar monóxido de carbono puede dejarlo inconsciente o causar la muerte.

■ Nunca opere el generador en espacios cerrados o incluso parcialmente cerrados, cuando exista gente presente.

Conexiones mal realizadas hacia un inmueble, puede permitir que la corriente fluya en sentido inverso hacia el generador, creando un potencial riesgo de electrocución.

■ Las conexiones a un inmueble deben seguir la corriente del generador de la red pública, y deben cumplir con las leyes correspondientes y códigos de seguridad eléctricos.

El generador es una fuente potencial de choques eléctricos si no se mantiene en un ambiente seco.

■ No exponga el generador a humedad, lluvia o nieve.

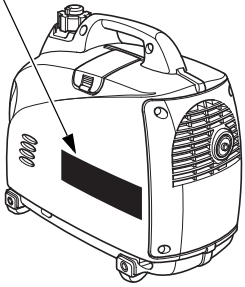
■ No opere el generador con las manos húmedas.

■ Un sistema de escape caliente puede causar serias quemaduras.

■ Evite el contacto si el motor ha estado funcionando

Lea cuidadosamente el manual del propietario antes de operar el equipo.

Honda Motor de Chile S.A. San Ignacio 031, Quilicura, Santiago



[Typ U]

CAUTION

■ DO NOT USE Indoors DUE TO DANGER OF CARBON MONOXIDE POISONING.

■ DO NOT CONNECT THE RECEPTACLE OF THIS GENERATOR TO HOUSE WIRING.

■ STOP THE ENGINE BEFORE REFUELING.

■ CHECK FOR SPILLED FUEL OR FUEL LEAKS.

■ DO NOT FILL THE FUEL TANK BEYOND THE UPPER LIMIT LINE.

■ FOR DETAILED EXPLANATION, READ THE OWNER'S MANUAL.

■ WHEN STORED OR IN TRANSIT, MAKE CERTAIN THAT THE ENGINE SWITCH AND THE FUEL TANK CAP LEVER ARE IN "OFF" POSITION TO PREVENT FUEL LEAKS.

■ BE SURE TO CONNECT ONLY THE SPECIAL LEAD TO THE PARALLEL OPERATION RECEPTACLE.

ATTENTION

■ NE PAS UTILISER DANS UN LOCAL CLOS OU LES VAPEURS NOCIVES DE MONOXYDE DE CARBONE PEUVENT S'ACCUMULER.

■ NE JAMAIS CONNECTER LE GROUPE ELECTROGENE A UNE PRISE DE SECTEUR.

■ ARRÊTER LE MOTEUR AVANT DE FAIRE LE PLEIN D'ESSENCE.

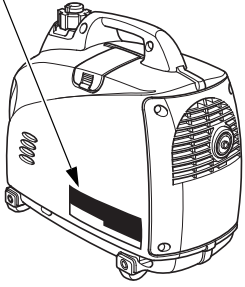
■ CONTRÔLER QU'IL N'Y A PAS FUIITE D'ESSENCE, INDÉSSENCE REPAQUÉE SUR L'APPAREIL.

■ NE PAS REMPLIR LE RÉSERVOIR D'ESSENCE AU-DESSUS DU REPERE DE NIVEAU MAXIMUM.

■ POUR PLUS D'INFORMATIONS, LIRE LE MANUEL DE L'UTILISATEUR.

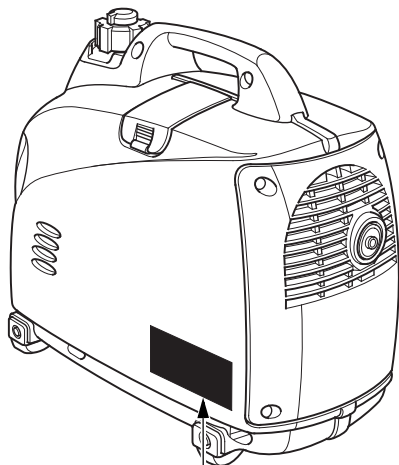
■ QUAND LE GROUPE ELECTROGENE EST REMISE OU TRANSPORTE, S'ASSURER QUE LE CONTACT D'ARRÊT DU MOTEUR ET LA MISE A L'AIR LIBRE DU RÉSERVOIR D'ESSENCE SONT SUR LA POSITION "OFF" AFIN D'ÉVITER TOUTE FUIITE D'ESSENCE.

■ CONNECTER UNIQUEMENT LE CORDON SPECIAL A LA PRISE POUR UTILISATION EN PARALLELE.



• Lage der CE-Spezifizierung und des Geräuschpegel-Hinweisschilds

Typen G, GW1, B, F, W, CL



• CE-SPEZIFIZIERUNG

GERÄUSCHPEGEL-HINWEISSCHILD

Leistungs-Klassifizierung

Qualitäts-Klassifizierung

Maximum power	MAX 1.0 kW	50 Hz	G1
Rated power	COP 0.9 kW	230 V	A
Rated power factor	1.0	3.9A	IP23M
Year of Mfg.	Mass		kg

Hersteller und Anschrift

Herstellungsjahr

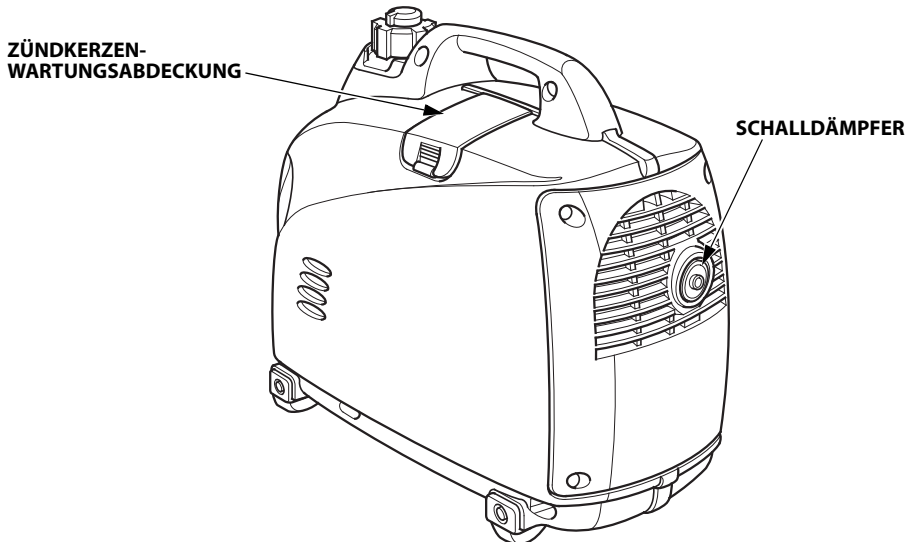
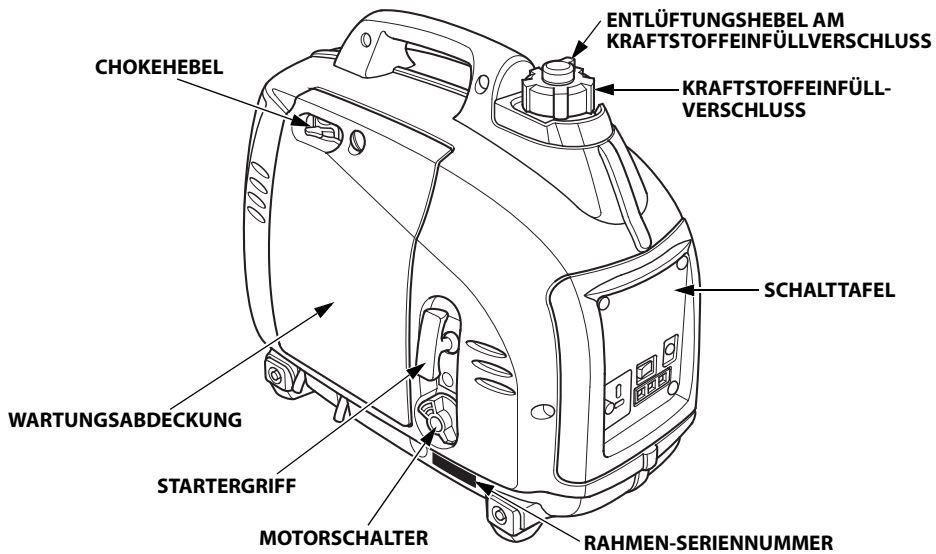
Name und Anschrift des autorisierten Beauftragten und des Importeurs

IP-Code

Trockenmasse (Gewicht)

Name und Anschrift des Herstellers, des autorisierten Beauftragten und des Importeurs werden in der Bedienungsanleitung unter "EG-Konformitätserklärung" INHALTSÜBERSICHT aufgeführt.

3. BEZEICHNUNG DER TEILE



Schreiben Sie die Rahmen-Seriennummer in die nachfolgende freie Stelle. Bei der Bestellung von Bauteilen ist diese Nummer erforderlich.

Rahmen-Seriennummer: _____

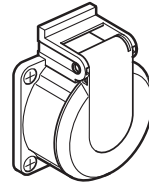
SCHALTТАFEL

Typen G, B, W, CL

Typen F, GW1

WECHSELSTROM-STECKDOSE

WECHSELSTROM-STECKDOSE



PARALLELBETRIEB-ANSCHLÜSSE

ECO-DROSSELKLAPPENSCHALTER

MASSEKLEMME

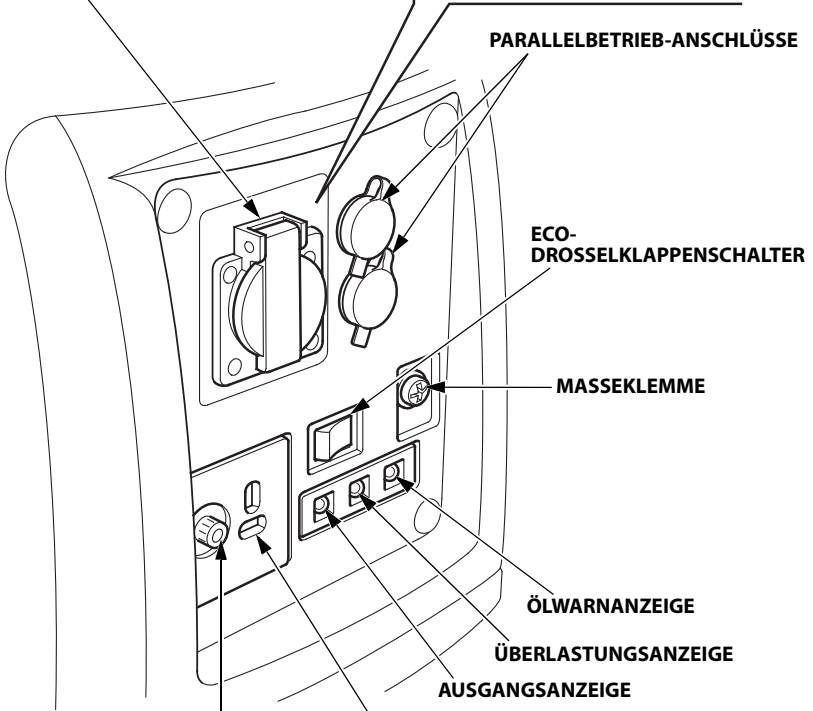
ÖLWARNSANZEIGE

ÜBERLASTUNGSANZEIGE

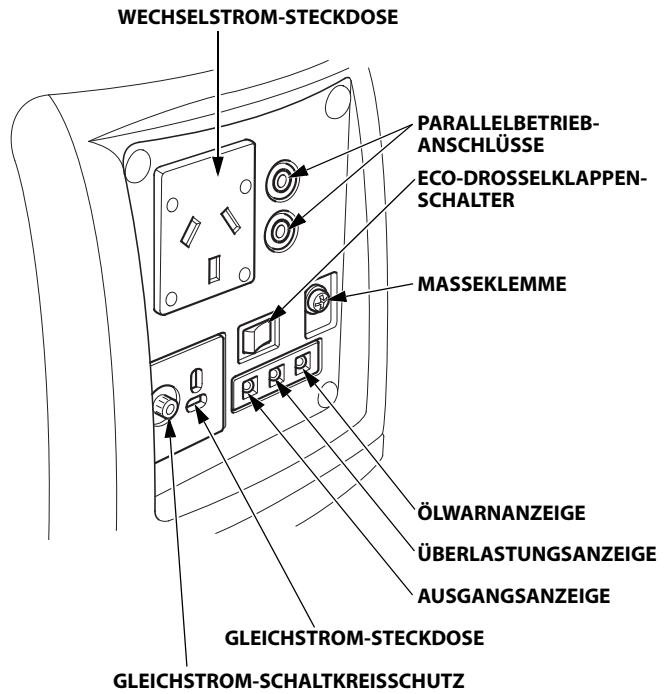
AUSGANGSANZEIGE

GLEICHSTROM-STECKDOSE

GLEICHSTROM-SCHALTKREISSCHUTZ



Typ U



Eco-Drosselklappe

ECO:

Hierbei wird die Motordrehzahl automatisch auf die Leerlaufdrehzahl eingestellt, wenn der elektrische Stromverbraucher abgeklemmt wird; beim Wiederanschießen des elektrischen Stromverbrauchers wird wieder auf die der Belastung entsprechende Drehzahl zurückgekehrt. Es wird empfohlen, diese Position zur Minimierung des Kraftstoffverbrauchs während des Betriebs zu wählen.

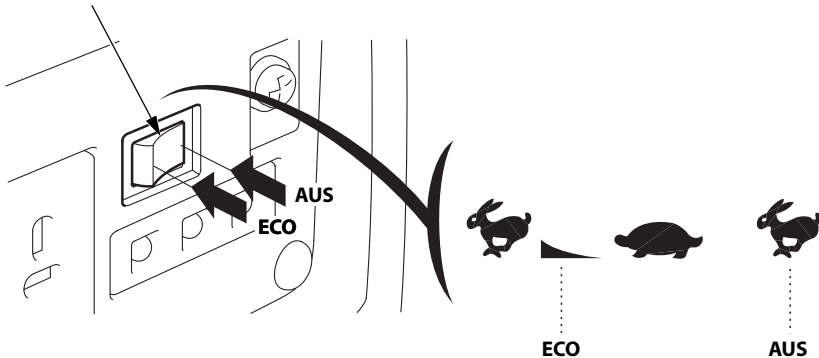
HINWEIS:

- Das Eco-Drosselklappensystem lässt sich nicht wirksam einsetzen, wenn der elektrische Verbraucher Momentanstrom erfordert.
- Bei einem gleichzeitigen Anschließen von Geräten mit hoher Leistungsaufnahme ist der Eco-Drosselklappenschalter auf AUS zu stellen, um Spannungsschwankungen abzuschwächen.
- Bei Gleichstrombetrieb ist der Eco-Drosselklappenschalter auf AUS zu stellen.

AUS:

Das Eco-Drosselklappensystem arbeitet nicht. Die Motordrehzahl wird im Bereich von Motordrehzahl (bei deaktiviertem Eco-Drosselklappensystem) der Seite „TECHNISCHE DATEN“ gehalten.

ECO-DROSSELKLAPPENSCHALTER



4. ÜBERPRÜFUNGEN VOR INBETRIEBNAHME

VORSICHT:

Den Generator unbedingt auf ebener Fläche bei abgestelltem Motor überprüfen.

Dabei soll vor jedem Gebrauch auch der Bereich um den Motor auf Anzeichen untersucht werden, dass Öl oder Benzin austritt.

1. Den Motorölstand kontrollieren.

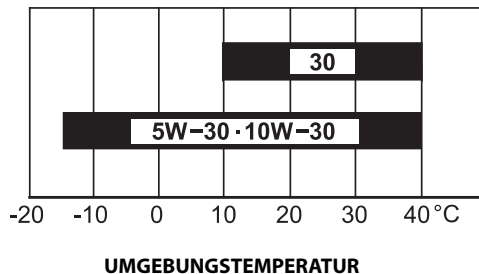
VORSICHT:

Durch die Verwendung von unverseifbarem Öl oder Zweitaktöl kann die Lebensdauer des Motors verkürzt werden.

Empfohlenes Öl

Motoröl für Viertaktmotoren verwenden, das die Anforderungen für API-Serviceklasse SE oder höher (bzw. gleichwertig) erfüllt oder überschreitet. Prüfen Sie stets das API-Service-Etikett am Ölbehälter, um sicherzugehen, dass es die Buchstaben SE oder die einer höheren Klasse (bzw. entsprechende) enthält.

Vor dem Gebrauch lesen Sie bitte die Anweisung auf dem Ölbehälter.



SAE 10W-30 wird für allgemeinen Gebrauch empfohlen. Andere in der Tabelle angegebene Viskositäten können verwendet werden, wenn die durchschnittliche Temperatur in Ihrem Gebiet innerhalb des angezeigten Bereichs liegt.

Zur Aufrechterhaltung der Leistungsfähigkeit des Abgasreinigungssystems erforderliche Schmierölspezifikationen: Originalöl von Honda.

- (1) Die Schraube der Wartungsabdeckung lösen und die Wartungsabdeckung ausbauen (siehe Seite 40).
- (2) Den Öleinfüllverschluss entfernen.
- (3) Den Ölstand kontrollieren. Wenn er zu niedrig ist, bis zur oberen Grenze mit dem empfohlenen Öl (siehe Seite 16) auffüllen.
- (4) Den Öleinfüllverschluss wieder sicher anbringen.

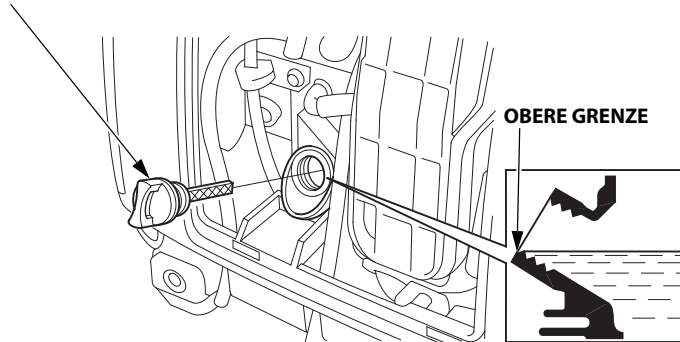
VORSICHT:

Betreiben des Motors mit unzureichender Ölfüllung kann ernsthafte Beschädigung des Motors zur Folge haben.

HINWEIS:

Das Ölwarnsystem stoppt den Motor automatisch, bevor der Ölstand unter das sichere Minimalniveau sinken kann. Um jedoch ein unerwartetes Abschalten und die damit verbundenen Unannehmlichkeiten zu vermeiden, ist es dennoch ratsam, den Ölstand regelmäßig zu kontrollieren.

ÖLEINFÜLLVERSCHLUSS



2. Den Kraftstoffstand kontrollieren.

Bei niedrigem Füllstand Kraftstoff bis zum vorgeschriebenen Stand einfüllen. Nach dem Betanken den Kraftstoffeinfüllverschluss anziehen.

Empfohlener Kraftstoff

Bleifreies Benzin
Research-Oktananzahl 91 oder höher
ROZ+MOZ/2 = 86 oder höher

Dieser Motor ist auf bleifreies Benzin mit einer Research-Oktananzahl von 91 oder höher (entsprechend ROZ+MOZ/2 = 86 Oktan oder höher) ausgelegt.

Zur Aufrechterhaltung der Leistungsfähigkeit des Abgasreinigungssystems erforderliche Kraftstoffspezifikation(en): Kraftstoff E10, auf den in EU-Verordnung verwiesen wird.

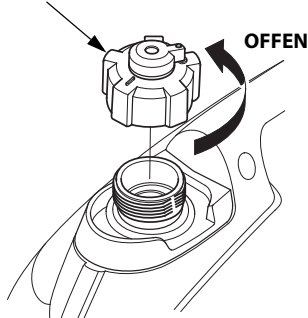
Das Benzin darf nicht abgestanden oder verunreinigt sein, und es darf kein Öl-Benzin-Gemisch eingesetzt werden.

Darauf achten, dass weder Schmutz noch Wasser in den Kraftstofftank gelangt.

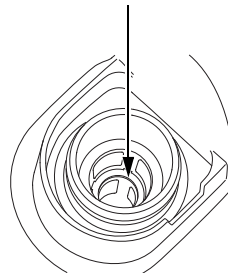
⚠ WARNUNG

- **Benzin ist äußerst feuergefährlich und unter gewissen Bedingungen explosiv.**
 - **Nur in einem gut belüfteten Bereich und bei abgestelltem Motor auftanken. Beim Auftanken und an Orten, an denen Kraftstoff gelagert wird, nicht rauchen und offene Flammen oder Funken fernhalten.**
 - **Den Tank nicht überfüllen (Der Kraftstoff darf nicht die obere Grenzmarke überschreiten.). Nach dem Tanken sicherstellen, dass der Kraftstoffeinfüllverschluss richtig aufgesetzt und gut festgedreht wurde.**
 - **Darauf achten, dass beim Auftanken kein Kraftstoff verschüttet wird. Benzindämpfe oder verschütteter Kraftstoff können sich entzünden. Wenn dennoch Kraftstoff verschüttet wird, diesen vor dem Anlassen des Motors unbedingt aufwischen.**
 - **Ein wiederholter oder längerer Kontakt mit der Haut sowie das Einatmen von Kraftstoffdämpfen ist zu vermeiden.**
- AUSSERHALB DER REICHWEITE VON KINDERN HALTEN.**

KRAFTSTOFFEINFÜLLVERSCHLUSS



OBERE GRENZMARKE



HINWEIS:

Einflussfaktoren wie Lichteinstrahlung, Umgebungstemperatur und Lagerzeit können die Beschaffenheit des Benzins schnell verändern.

Schlimmstenfalls kann Benzin schon innerhalb von 30 Tagen unbrauchbar werden.

Durch Gebrauch minderwertigen Benzins kann ein ernsthafter Motorschaden verursacht werden (Vergaserverstopfung, Ventilklemmen usw.).

Schäden, die sich auf den Gebrauch minderwertigen Benzins zurückführen lassen, sind von der Garantie nicht abgedeckt.

Um derartige Schäden zu vermeiden, sollten Sie sich an die folgenden Empfehlungen halten:

- Nur das vorgeschriebene Benzin verwenden (siehe Seite 17).
- Frisches und sauberes Benzin verwenden.
- Benzin sollte in einem zugelassenen Kraftstoffbehälter aufbewahrt werden, um eine Qualitätsminderung hinauszuzögern.
- Wenn eine längere Außerbetriebsetzung (länger als 30 Tage) geplant ist, Kraftstofftank und Vergaser entleeren (siehe Seite 45).

Alkoholhaltiges Benzin

Falls Sie sich für die Verwendung von alkoholhaltigem Benzin (Gasohol) entscheiden, vergewissern Sie sich, dass seine Oktanzahl mindestens so hoch ist wie die von Honda für bleifreies Benzin empfohlene.

Es gibt zwei Arten von „Gasohol“: die eine enthält Äthanol und die andere Methanol.

Verwenden Sie kein Gasohol, das mehr als 10 % Äthanol enthält.

Verwenden Sie kein Benzin, das mehr als 5 % Methanol (Methyl- oder Holzalkohol) enthält, und auch kein Benzin mit Methanolgehalt, das nicht Kosolventen und Korrosionsinhibitoren für Methanol beinhaltet.

HINWEIS:

- Kraftstoffsystemschäden und Motorleistungsstörungen, die sich auf den Gebrauch von Benzin mit einem höheren Alkoholgehalt als empfohlen zurückführen lassen, sind von der Garantie nicht abgedeckt.
- Bevor Sie Benzin bei einer Ihnen unbekanntem Tankstelle kaufen, sollten Sie zunächst feststellen, ob das Benzin Alkohol enthält, und wenn ja, welchen Typ und zu welchem Prozentsatz.

Sollten bei Verwendung eines bestimmten Benzins Betriebsstörungen auftreten, sollten Sie zu einem Benzin wechseln, das mit Sicherheit weniger als die empfohlene Alkoholmenge enthält.

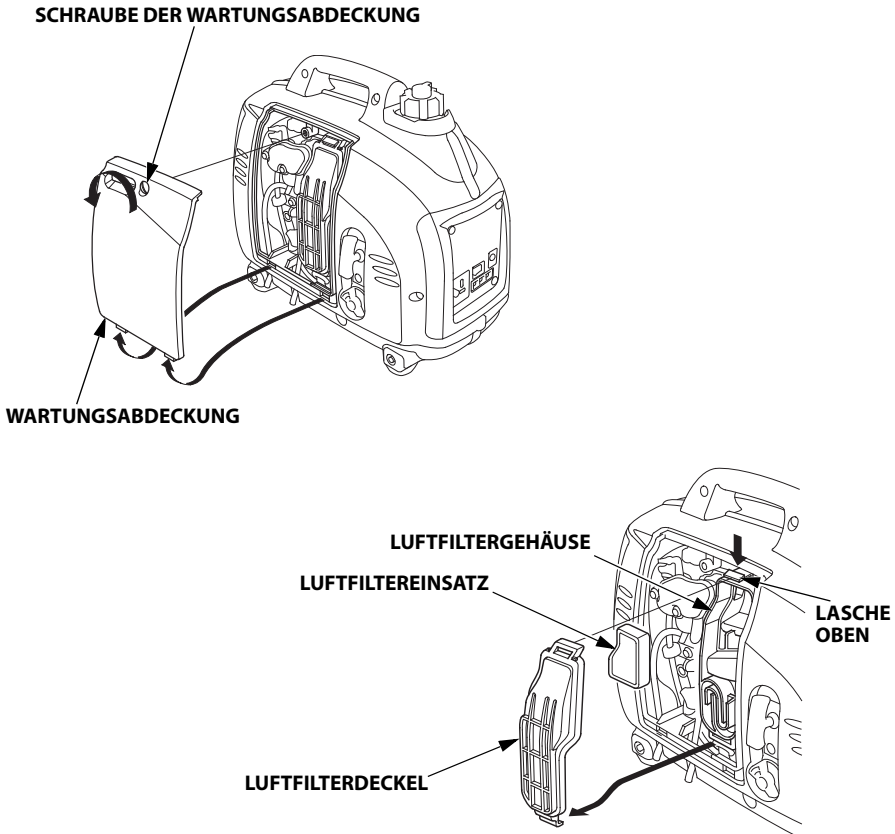
3. Den Luftfilter kontrollieren.

Überprüfen Sie den Luftfiltereinsatz, um sicherzugehen, dass er sauber und in gutem Zustand ist.

Die Schraube der Wartungsabdeckung lösen und die Wartungsabdeckung abnehmen. Die Lasche im oberen Bereich des Luftfiltergehäuses nach unten drücken, dann den Luftfilterdeckel abnehmen und den Luftfiltereinsatz prüfen. Nötigenfalls muss der Luftfiltereinsatz gereinigt bzw. ersetzt werden (siehe Seite 41).

VORSICHT:

Den Motor niemals ohne Luftfiltereinsatz laufen lassen. Die durch den Vergaser in den Motor eingesaugten Staub- und Schmutzteilchen verursachen schnellen Motorverschleiß.



5. ANLASSEN DES MOTORS

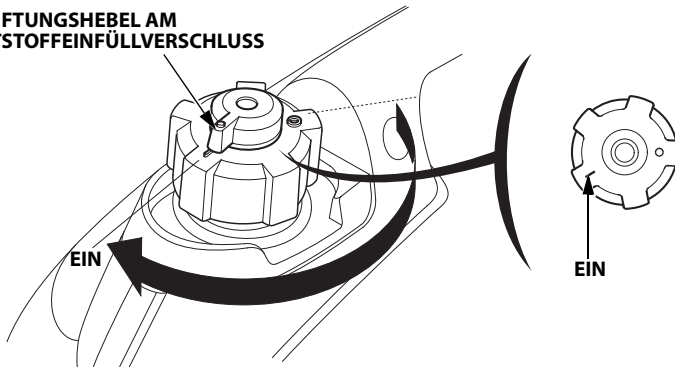
Vor dem Anlassen des Motors müssen angeschlossene Stromverbraucher von der Wechselstrom-Steckdose abgeklemmt werden.

1. Den Entlüftungshebel am Kraftstoffzufuhrverschluss im Uhrzeigersinn in die EIN-Stellung drehen.

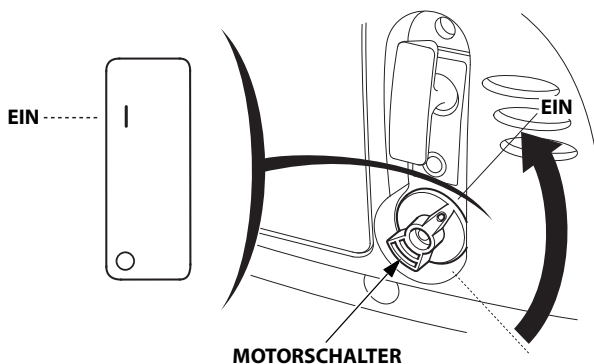
HINWEIS:

Zum Transport des Generators den Entlüftungshebel am Kraftstoffzufuhrverschluss in die AUS-Stellung drehen.

**ENTLÜFTUNGHEBEL AM
KRAFTSTOFFEINFÜLLVERSCHLUSS**



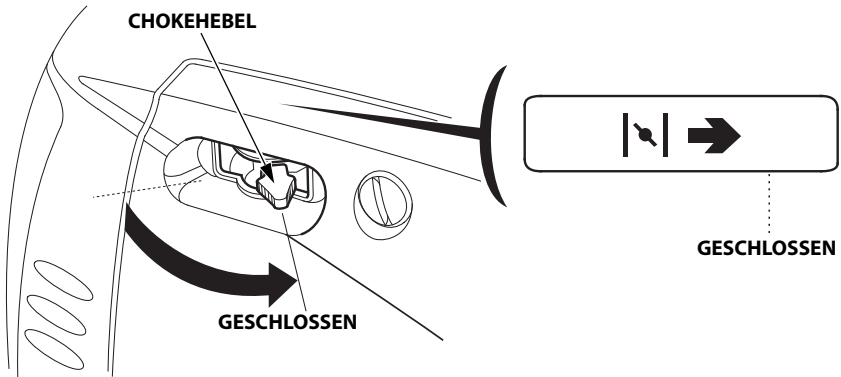
2. Den Motorschalter auf EIN stellen.



3. Den Chokehebel auf die GESCHLOSSEN-Position schieben.

HINWEIS:

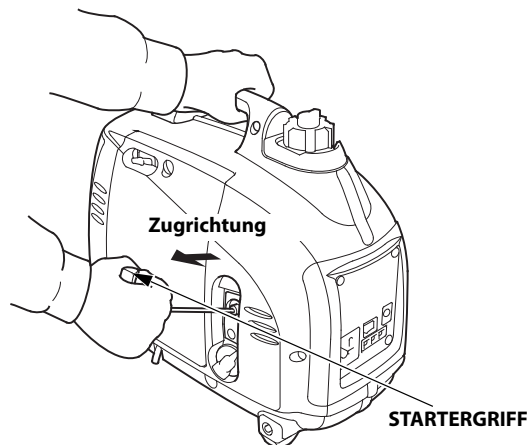
Den Choke nicht bei betriebswarmem Motor oder hohen Außentemperaturen verwenden.



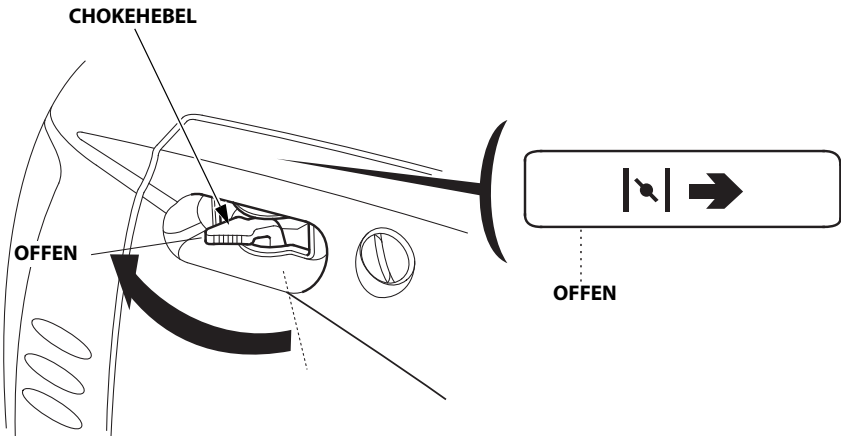
4. Den Startergriff leicht herausziehen, bis ein Widerstand verspürt wird, dann den Griff kräftig in Pfeilrichtung ziehen, wie unten gezeigt.

VORSICHT:

- **Der Startergriff kann sehr schnell zurückgezogen werden, bevor man ihn loslässt. Dadurch kann Ihre Hand so stark in Richtung Motor gezogen werden, dass Sie sich verletzen können.**
- **Den Startergriff nicht zurückschlagen lassen. Vorsichtig mit der Hand zurückführen.**



5. Sobald der Motor warm läuft, den Chochehebel in die Position OFFEN stellen.



HINWEIS:

Wenn der Motor stehen bleibt und sich nicht mehr starten lässt, den Ölstand kontrollieren (siehe Seite 17), bevor die Störung in anderen Bereichen gesucht wird.

• Vergasermodifikation für Betrieb in großer Höhenlage

In großen Höhenlagen ist das Standard-Kraftstoff-/Luftgemisch des Vergasers zu fett. Die Leistung nimmt ab, der Kraftstoffverbrauch hingegen zu. Ein sehr fettes Gemisch führt auch zu einer Verschmutzung der Zündkerze und zu Startproblemen. Längerer Betrieb in einer Höhenlage, die nicht in den Bereich fällt, für den dieser Motor als geeignet befunden worden ist, kann erhöhte Emissionswerte zur Folge haben.

Bei Betrieb in großer Höhenlage kann die Motorleistung durch entsprechende Vergasermodifikationen verbessert werden. Wenn der Generator stets in Höhenlagen von über 610 Metern betrieben wird, lassen Sie diese Vergasermodifikationen von Ihrer Kundendienstwerkstatt vornehmen. Wenn der Motor in großen Höhenlagen mit den entsprechenden Vergasermodifikationen betrieben wird, erfüllt er während seiner gesamten Lebensdauer jede Emissionsnorm.

Selbst bei Vergasermodifikation nimmt die Motorleistung pro 300 m Höhenzunahme um etwa 3,5 % ab. Ohne Vergasermodifikation ist die Auswirkung der Höhenlage auf die Motorleistung noch größer.

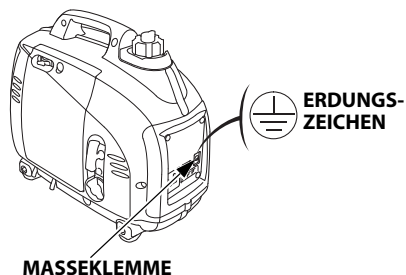
VORSICHT:

Wenn der Vergaser für Betrieb in großer Höhenlage modifiziert worden ist, wird bei Betrieb in niedrigeren Lagen ein zu mageres Gemisch aufbereitet. Betrieb mit einem modifizierten Vergaser in kleineren Höhenlagen als 610 Meter kann zu Motorheilauf und schweren Motorschäden fhren. Fr Gebrauch in niedrigeren Hhen lassen Sie den Vergaser von Ihrem Hndler auf die ursprnglichen Werkspezifikationen zurckstellen.

6. BENUTZUNG DES GENERATORS

Der Generator erzeugt so viel elektrische Energie, dass Missbrauch zu Stromschlägen führen kann, die tödlich ausgehen können. Wenn das angeschlossene Gerät geerdet ist, muss auch der Generator geerdet werden.

Zum Erden der Klemme des Generators einen Kupferdraht verwenden, der denselben oder einen größeren Durchmesser aufweist als das Kabel des angeschlossenen Geräts.

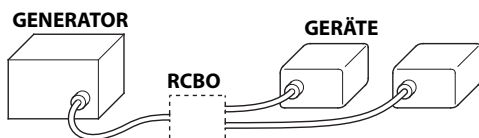


Zum Anschluss eines Geräts mit Erdleiter einen Verlängerungskabelsatz mit Erdleiter verwenden.

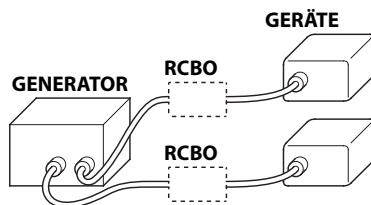
Zur Identifizierung des Massepunkts im Stecker siehe STECKDOSE, Seite 52.

Bei Gebrauch von zwei oder mehr Geräten einen Fehlerstromschutzschalter mit Überlastschutz (RCBO) anschließen, der eine Erdfehlerstromerkennung von 30 mA und eine Stromabschaltgeschwindigkeit von unter 0,4 Sekunden bei mehr als 30 A Ausgangsstrom aufweist.

Vor Gebrauch sollten Sie die Anleitung des jeweiligen RCBO-Herstellers lesen und befolgen.



Anschluss an ein RCBO



Anschluss an zwei RCBO

⚠ WARNUNG

Falsche Anschlüsse an das elektrische Leitungssystem eines Gebäudes können zur Einspeisung von Strom vom Generator in das Netz führen. Dieser Vorgang kann zu lebensgefährlichen Stromschlägen für Beschäftigte des Stromversorgungsunternehmens oder andere Personen führen, die während eines Stromausfalls Netzleitungen berühren. Außerdem kann der Generator bei erneuter Zuschaltung der Netzspannung explodieren, Feuer fangen oder einen Brand verursachen. Bevor Sie derartige Stromanschlüsse herstellen, setzen Sie sich mit dem Stromversorgungsunternehmen oder einem Fachmann in Verbindung.

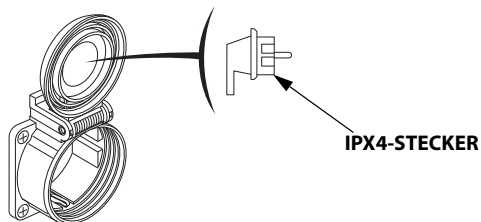
VORSICHT:

- Der angegebene Höchstwert der Leistungsaufnahme darf an keinem der Anschluss-Stecker überschritten werden.
- Der Generator darf nicht für Verwendungszwecke modifiziert werden, für die der Generator nicht vorgesehen ist. Die folgenden Hinweise sind bei der Benutzung des Generators besonders zu beachten.
- Keine Verlängerung an das Auspuffrohr anschließen.
- Wenn ein Verlängerungskabel erforderlich ist, muss ein widerstandsfähiges, flexibles Kabel mit Gummihülle verwendet werden (IEC 245 oder gleichwertige Qualität).
Bei der Verwendung eines Verlängerungskabels darf der Widerstandswert $1,5 \Omega$ nicht überschreiten.
- Maximale Längen für Verlängerungskabel: 60 m bei einem Kabelquerschnitt von $1,5 \text{ mm}^2$ und 100 m für einen Kabelquerschnitt von $2,5 \text{ mm}^2$. Lange Verlängerungskabel vermindern aufgrund des Kabelwiderstands die Nutzleistung.
- Den Generator stets von anderen elektrischen Kabeln und Versorgungsleitungen entfernt halten.

⚠ WARNUNG

Typ GW1

Bei Anschluss eines abgewinkelten Steckers nur einen IPX4-Stecker verwenden.

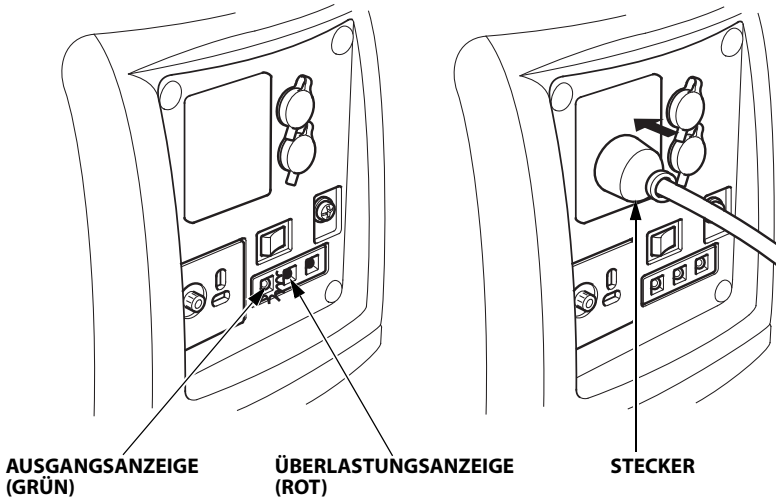


HINWEIS:

- Die meisten Gerätemotoren verbrauchen mehr als ihre angegebene Nennleistungsaufnahme zum Anlaufen. Sicherstellen, dass die elektrische Auslegung des Werkzeugs oder Geräts die Höchstleistung des Generators nicht überschreitet.
Die Höchstleistung beträgt: 1,0 kVA
- Bei Dauerbetrieb darf die Nennleistung nicht überschritten werden.
Die Nennleistung beträgt: 0,9 kVA
- In jedem Fall ist der gesamte Strombedarf (VA) aller angeschlossenen Geräte zu berücksichtigen.
- Die Gleichstrom-Steckdose kann während eines Wechselspannungsbetriebs verwendet werden.
Wenn beide gleichzeitig verwendet werden, darf die maximale Wechselstromleistung nicht überschritten werden.
Maximale Wechselstromleistung: 0,8 kVA

Wechselstrombetrieb

1. Den Motor starten und kontrollieren, dass die grüne Ausgangsanzeige aufleuchtet.
2. Sich vergewissern, dass das zu verwendende Gerät ausgeschaltet ist, dann den Stecker des Geräts einstecken.



VORSICHT:

- Eine hohe Überlastung, die ständig die Überlastungsanzeige (rot) aufleuchten lässt, kann den Generator beschädigen. Durch eine geringfügigere Überlastung, die ein vorübergehendes Leuchten der Überlastungsanzeige (rot) verursacht, kann die Lebensdauer des Generators verkürzt werden.
- Sicherstellen, dass sich alle Geräte in einwandfreiem Zustand befinden, bevor sie an den Generator angeschlossen werden. Bei der elektrischen Ausrüstung (einschließlich Kabel- und Steckerverbindungen) darf kein Defekt vorliegen. Wenn ein Gerät abnormal zu arbeiten beginnt, langsam wird oder plötzlich stoppt, muss der Motorschalter des Generators unverzüglich ausgeschaltet werden. Dann das Gerät trennen und die Ursache der Funktionsstörung ausfindig machen.

Ausgangsleistungs- und Überlastungsanzeigen

Bei normalen Betriebsbedingungen leuchtet die Ausgangsanzeige (grün) ständig.

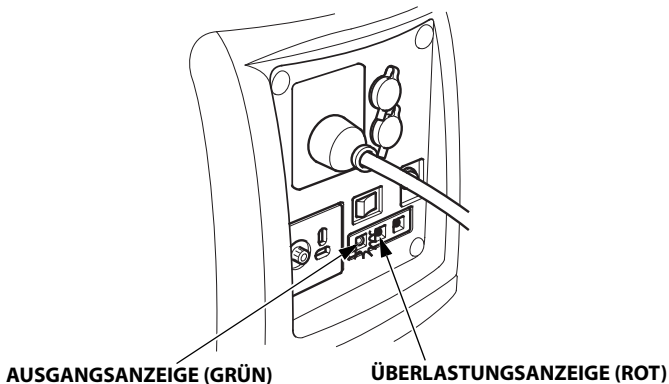
Außerdem verfügt die Ausgangsanzeige über eine vereinfachte Stundenzählerfunktion. Wenn der Motor gestartet wird, blinkt die Anzeige je nach kumulierter Betriebsstundenzahl des Generators wie folgt:

- Kein Blinkzeichen: 0 – 100 Stunden
- 1 Blinkzeichen: 100 – 200 Stunden
- 2 Blinkzeichen: 200 – 300 Stunden
- 3 Blinkzeichen: 300 – 400 Stunden
- 4 Blinkzeichen: 400 – 500 Stunden
- 5 Blinkzeichen: 500 Stunden und darüber

Im Falle einer Überlastung des Generators (über 1,0 kVA), oder wenn beim angeschlossenen Gerät ein Kurzschluss auftreten sollte, erlischt die Ausgangsanzeige (grün), die Überlastungsanzeige (rot) leuchtet auf, und die Stromversorgung zum angeschlossenen Gerät wird unterbrochen.

Sollte die Überlastungsanzeige (rot) aufleuchten, muss der Motor gestoppt und die Ursache der Überlastung festgestellt werden.

- Bevor ein Stromverbraucher am Generator angeschlossen wird, sich vergewissern, ob sich das Gerät in einwandfreiem Zustand befindet, und dass die Nennleistung nicht höher als die Nennleistung des Generators liegt. Danach das Netzkabel des Stromverbrauchers anschließen und den Motor anlassen.



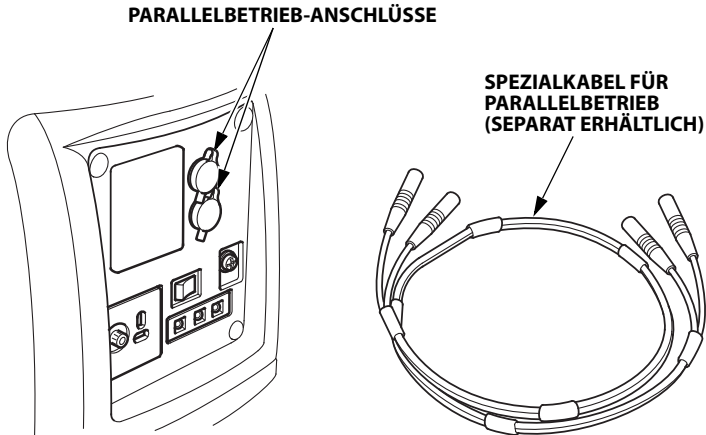
HINWEIS:

Wenn ein Elektromotor gestartet wird, können Überlastungsanzeige (rot) und Ausgangsanzeige (grün) gleichzeitig angehen. Dies ist normal, wenn die Überlastungsanzeige (rot) innerhalb von etwa 4 Sekunden ausgeht. Wenn die Überlastungsanzeige (rot) anbleibt, wenden Sie sich bitte an Ihren Generator-Händler.

Parallelbetrieb

Bevor ein anderes Gerät mit dem Generator verbunden wird, muss der Abschnitt „VERWENDUNG DES GENERATORS“ durchgelesen werden.

Stets nur ein Spezialkabel für Parallelbetrieb (separat erhältlich) verwenden.



Die meisten Gerätemotoren verbrauchen mehr als ihre angegebene Nennleistungsaufnahme zum Anlaufen. Sicherstellen, dass die elektrische Auslegung des Werkzeugs oder Geräts die Höchstleistung des Generators nicht überschreitet.

Maximale Leistung bei Parallelbetrieb: 2,0 kVA

Bei Dauerbetrieb darf die Nennleistung nicht überschritten werden.

Nennleistung bei Parallelbetrieb: 1,8 kVA

In jedem Fall ist der gesamte Strombedarf (VA) aller angeschlossenen Geräte zu berücksichtigen.

VORSICHT:

Eine hohe Überlastung, die ständig die Überlastungsanzeige (rot) aufleuchten lässt, kann den Generator beschädigen. Durch eine geringfügigere Überlastung, die ein vorübergehendes Leuchten der Überlastungsanzeige (rot) verursacht, kann die Lebensdauer des Generators verkürzt werden.

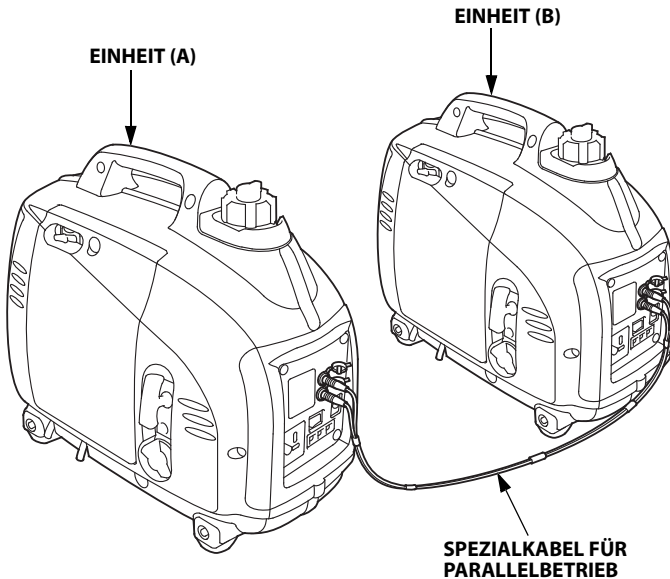
⚠ WARNUNG

- **Niemals verschiedene Generatormodelle und -typen miteinander verbinden.**
- **Es darf niemals ein anderes als das für den Parallelbetrieb vorgesehene Spezialkabel mit dem Parallelbetrieb-Anschluss verbunden werden.**
- **Das für Parallelbetrieb vorgesehene Spezialkabel muss immer bei abgestelltem Motor angeschlossen bzw. abgeklemmt werden.**
- **Bei Einzelbetrieb muss das für Parallelbetrieb vorgesehene Spezialkabel abgenommen werden.**

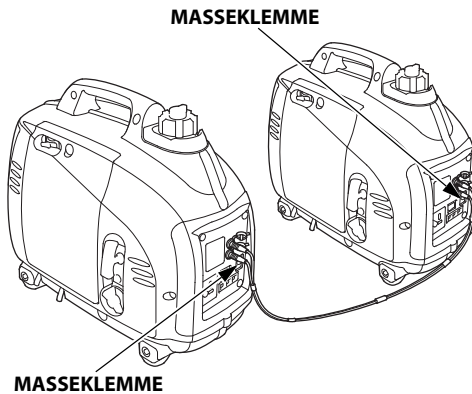
HINWEIS:

- Je nach zu verwendender Ausrüstung kann unter Umständen eine Überlastung auftreten; in diesem Fall leuchtet die Überlastungsanzeige (rot) auf, und eine weitere Stromversorgung ist nicht mehr möglich.
- Ein Motor erfordert zum Anlassen normalerweise das Zwei- und Dreifache seiner Leistungsaufnahme.

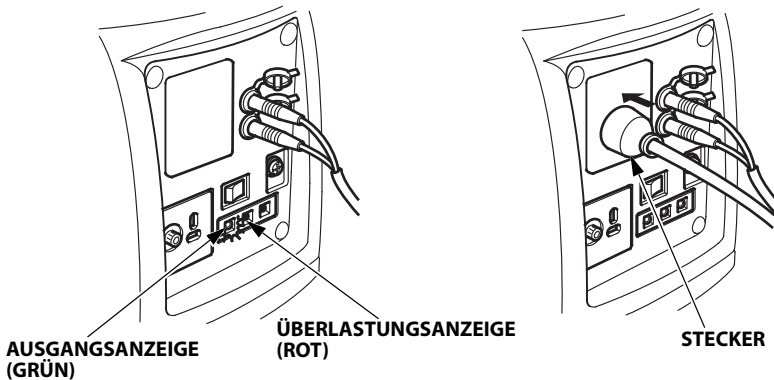
1. Das für Parallelbetrieb vorgesehene Spezialkabel bzw. die Steckdose mit den beiden Generatoren verbinden.



- Den Generator unbedingt an Masse anschließen, wenn die angeschlossenen Geräte geerdet sind.



- Den Motor entsprechend den Anweisungen im Abschnitt „ANLASSEN DES MOTORS“ anlassen.
 - Wenn die Ausgangsanzeige (grün) nicht aufleuchtet und stattdessen die Überlastungsanzeige (rot) aufleuchtet, den Motor mit dem Motorschalter ausschalten und dann neu starten.
- Sich vergewissern, dass der angeschlossene Stromverbraucher ausgeschaltet ist, dann den Stecker des zu verwendenden Geräts mit der Wechselstrom-Steckdose von Einheit (A) oder Einheit (B) verbinden.

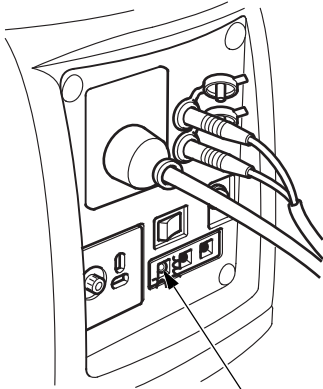


VORSICHT:

Sich vergewissern, dass alle angeschlossenen Geräte ausgeschaltet sind. Bei einem eingeschalteten Gerät kann dies plötzlich anspringen, was einen Unfall mit schweren Verletzungen zur Folge haben kann.

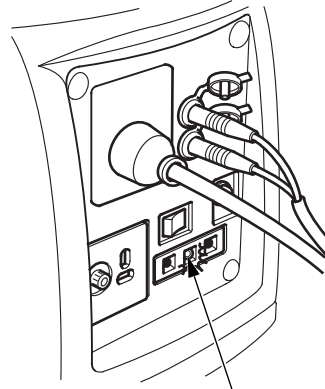
-
5. Den Stromverbraucher einschalten.
Die Ausgangsanzeige (grün) leuchtet auf.

Bei Normalbetrieb



AUSGANGSANZEIGE (GRÜN)

Bei Überlastung oder Kurzschluss



ÜBERLASTUNGSANZEIGE (ROT)

- Bei einer Überlastung des Generators (siehe Seite 29) oder einer Störung am Stromverbraucher geht die Ausgangsanzeige (grün) aus, die Überlastungsanzeige (rot) leuchtet, und es wird keine Leistung abgegeben. Der Motor geht in dem Fall nicht von selbst aus, sondern muss mit dem zugehörigen Motorschalter abgestellt werden.

HINWEIS:

- Wenn eine Ausrüstung betrieben wird, die eine hohe Anlaufleistung erfordert - wie z. B. ein Elektromotor usw. - können unter Umständen die Überlastungsanzeige (rot) und Ausgangsanzeige (grün) für kurze Zeit (ca. 4 Sekunden) gleichzeitig aufleuchten, doch stellt dies keine Funktionsstörung dar. Nach Start der Ausrüstung erlischt die Überlastungsanzeige (rot), während die Ausgangsanzeige (grün) anleibt.
 - Wenn der Generator nach dem Anlassen des anderen Geräts abgestellt werden soll, muss auch das Spezialkabel zur gleichen Zeit abgenommen werden.
6. Wenn erneut Generatorstrom abgeführt wird, muss zuerst das angeschlossene Gerät abgeschaltet und der Verschluss von der Wechselstrom-Steckdose entfernt werden. Sicherstellen, dass das angeschlossene Gerät und der Anschluss normal sind, und dass nicht zu viel Strom verbraucht wird. Erst danach den Motor anlassen.

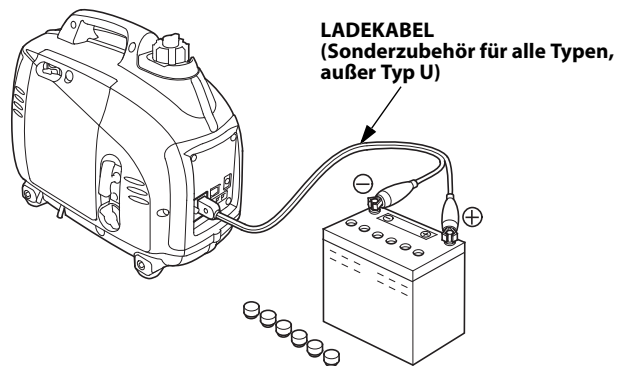
Gleichstrom Einsatz

Diese Gleichstrom-Steckdose kann nur zum Laden einer 12 V-Fahrzeugsbatterie verwendet werden.

HINWEIS:

Bei Gleichstrombetrieb ist der Eco-Drosselklappenschalter auf AUS zu stellen.

1. Die Ladekabel mit der Gleichstrom-Steckdose des Generators und den Batterieklemmen verbinden.



⚠ WARNUNG

- Um eine Funkenbildung in der Nähe der Batterie zu verhindern, müssen die Ladekabel zuerst mit dem Generator, dann erst mit der Batterie verbunden werden. Beim Abklemmen zuerst die Kabel an der Batterie lösen.
- Vor Ladekabelanschluss an eine in einem Fahrzeug befindliche Batterie das Fahrzeug-Batteriekabel abklemmen. Nach Ladekabelabtrennung das Fahrzeug-Batteriekabel wieder anschließen. Durch dieses Verfahren werden die Gefahr eines Kurzschlusses und die dabei auftretenden Funken ausgeschlossen (bei unbeabsichtigtem Kontakt einer Batterieklemme und dem Fahrzeugrahmen bzw. der Karosserie).

VORSICHT:

- Nicht versuchen, einen Automotor anzulassen, während der Generator an die Batterie angeschlossen ist. Der Generator kann dadurch beschädigt werden.
- Den positiven Batteriepol mit der positiven Generatorklemme verbinden. Die Ladekabel nicht polaritätsverkehrt anschließen, weil sonst der Generator und/oder die Batterie ernsthaft beschädigt werden kann.

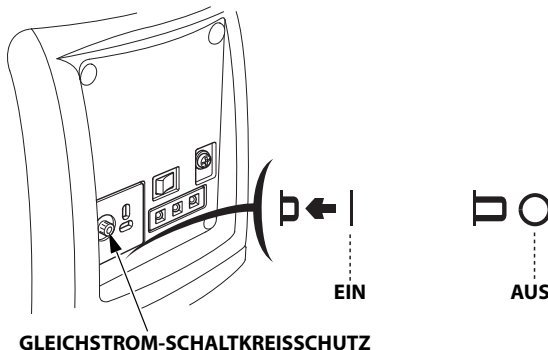
⚠️ WARNUNG

- **Batterien erzeugen explosive Gase:** bei Entzündung kann eine Explosion ernsthafte Verletzungen einschließlich Erblindungen verursachen. Beim Laden für ausreichende Belüftung sorgen.
- **GEFAHR DURCH CHEMISCHEN STOFF:** Batterieelektrolyt enthält Schwefelsäure. Kontakt mit den Augen oder der Haut, selbst durch Kleidungsstücke hindurch, kann zu ernsthaften Verätzungen führen. Das Tragen von Gesichtsschutz und Schutzkleidung wird empfohlen.
- **Offenes Feuer und Funken fernhalten und nicht in Batterienähe rauchen. GEGENMITTEL:** Wenn Batteriesäure in Ihre Augen gelangt, mit warmem Wasser für wenigstens 15 Minuten ausspülen und danach sofort einen Arzt aufsuchen.
- **GIFT: Batteriesäure ist giftig. GEGENMITTEL**
 - **Äußerlich:** Reichlich mit Wasser abspülen.
 - **Innerlich:** Große Mengen von Wasser oder Milch trinken. Danach Magnesiamilch oder Pflanzenöl zu sich nehmen und unverzüglich einen Arzt aufsuchen.
- **AUSSERHALB DER REICHWEITE VON KINDERN HALTEN.**

2. Den Motor anlassen.

HINWEIS:

- Die Gleichstrom-Steckdose kann während eines Wechselspannungsbetriebs verwendet werden.
- Bei einer Überlastung des Gleichstromkreises löst der Gleichstrom-Schaltkreisschutz aus (der Druckknopfschalter springt heraus). Mehrere Minuten warten und den Schaltkreisschutz dann wieder eindrücken, um den Betrieb fortzusetzen.

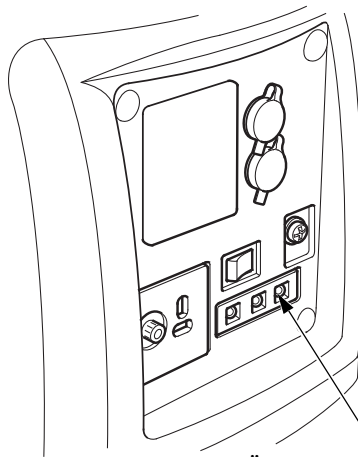


GLEICHSTROM-SCHALTKREISSCHUTZ

Ölwarnsystem

Das Ölwarnsystem verhindert Motorschäden, die durch eine nicht ausreichende Ölmenge im Kurbelgehäuse entstehen können. Bevor der Ölstand im Kurbelgehäuse unter die Sicherheitsgrenze fallen kann, stoppt das Ölwarnsystem den Motor automatisch (der Motorschalter verbleibt in der Position EIN).

Wenn der Motor durch das Ölwarnsystem abgestellt wird, geht die Ölwarnanzeige (rot) beim Betätigen des Starters an, und der Motor läuft nicht. In diesem Fall ist der Motorölstand zu kontrollieren (siehe Seite 17).



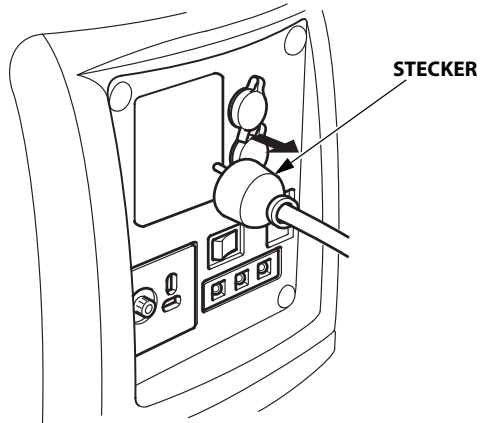
ÖLWARNANZEIGE (ROT)

7. ABSTELLEN DES MOTORS

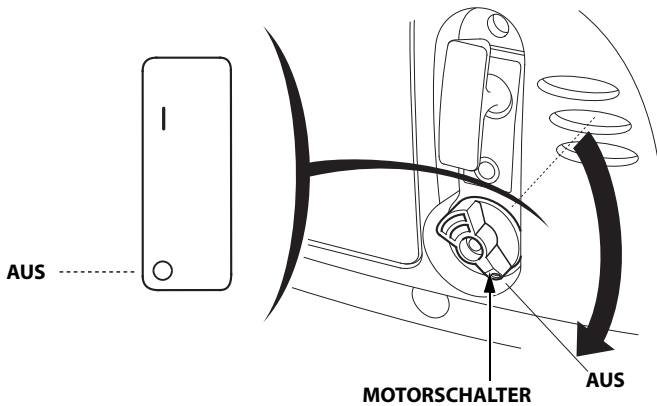
Um den Motor in einer Notsituation abzustellen, den Motorschalter auf die AUS-Position drehen.

BEI NORMALEM BETRIEB:

1. Alle am Stromerzeuger angeschlossenen Geräte ausschalten oder abtrennen.

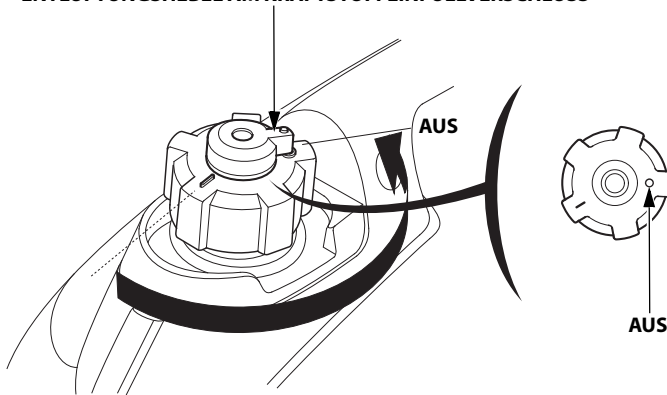


2. Den Motorschalter auf die AUS-Position stellen.



-
3. Den Motor abkühlen lassen und den Entlüftungshebel am Kraftstoffeinfüllverschluss in die AUS-Stellung drehen.

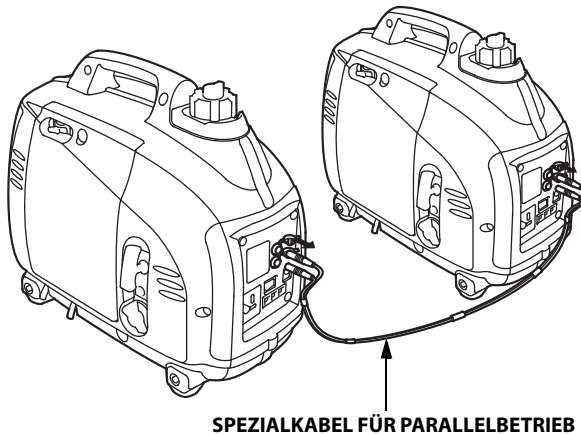
ENTLÜFTUNGSHEBEL AM KRAFTSTOFFEINFÜLLVERSCHLUSS



VORSICHT:

Sicherstellen, dass bei Stopp, Transport und/oder Einlagerung des Generators der Entlüftungshebel am Kraftstoffeinfüllverschluss und der Motorschalter auf OFF stehen.

4. Wenn zwei Generatoren für Parallelbetrieb miteinander verbunden wurden, nach dem Abschalten der Motoren das Kabel für Parallelbetrieb abziehen.



Zweck des Wartungs- und Einstellplans ist es, den Generator in bestmöglichem Betriebszustand zu halten.

Überprüfungen oder Wartungsarbeiten sind entsprechend der unten stehenden Tabelle auszuführen.

▲ WARNUNG

Bevor mit einer Wartungs- oder Reparaturarbeit begonnen wird, muss der Motor abgestellt sein. Damit können mögliche Gefahren ausgeschaltet werden:

- **Kohlenmonoxid-Vergiftung durch Motor-Abgase. Sorgen Sie immer für ausreichende Belüftung, wenn der Motor läuft.**
- **Verbrennungen durch Berührung heißer Teile. Lassen Sie den Motor und die Auspuffanlage abkühlen, bevor Sie entsprechende Teile anfassen.**
- **Verletzungen durch Kontakt mit beweglichen Teilen. Lassen Sie den Motor nur dann laufen, wenn Sie dazu angewiesen werden.**

Der Auspufftopf wird während des Betriebs sehr heiß und bleibt auch nach dem Abstellen des Motors eine gewisse Zeit lang heiß. Darauf achten, den Auspufftopf in heißem Zustand nicht zu berühren. Vor einer Wartung den Motor abkühlen lassen.

VORSICHT:

Verwenden Sie Original-Honda-Ersatzteile oder Teile gleichwertiger Qualität. Durch den Gebrauch von Ersatzteilen minderwertiger Qualität kann der Generator Schaden nehmen.

Wartungsplan

REGELMÄSSIGES WARTUNGSINTERVALL (1) Wartung bei angegebenem Monat oder Betriebsstundenintervall, je nachdem, was zuerst eintritt.		Bei jedem Einsatz	Erster Monat oder 10 Std.	Alle 3 Monate oder 50 Std.	Alle 6 Monate oder 100 Std.	Alle 2 Jahre oder 300 Std.	Seite
Motoröl	Stand prüfen	o					16
	Wechseln		o		o		40
Luftfilter	Prüfen	o					20
	Reinigen			o (2)			41
Zündkerze	Prüfen - einstellen				o		42
	Austauschen					o	
Ventilspiel	Prüfen - einstellen					o (3)	-
Verbrennungskammer	Reinigen	Immer nach 300 Std. (3)					-
Kraftstofftank und -filter	Reinigen	Jährlich (3)					-
Kraftstoffleitung	Prüfen	Alle 2 Jahre (gegebenenfalls austauschen) (3)					-

- HINWEIS:**
- (1) Bei kommerzieller Nutzung der Pumpe sind die Betriebsstunden zu notieren, um die korrekten Wartungsintervalle einzuhalten.
 - (2) Unter staubigen Bedingungen ist die Wartung häufiger durchzuführen.
 - (3) Diese Wartungsarbeiten sollten von Ihrem Wartungshändler ausgeführt werden, es sei denn, Sie verfügen über die richtigen Werkzeuge und Sie sind technisch versiert. Beschreibungen der einzelnen Wartungsverfahren finden Sie im Honda-Werkstatt-Handbuch.

1. ÖLWECHSEL

Das Motoröl bei noch warmem Motor ablassen, um ein schnelles und vollständiges Herauslaufen zu gewährleisten.

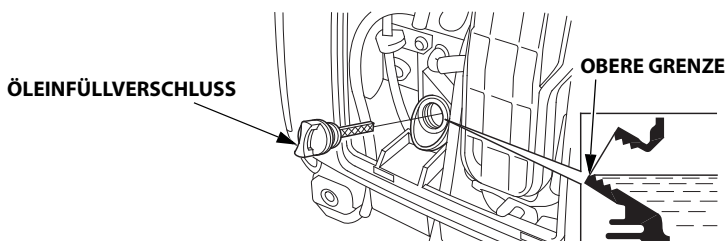
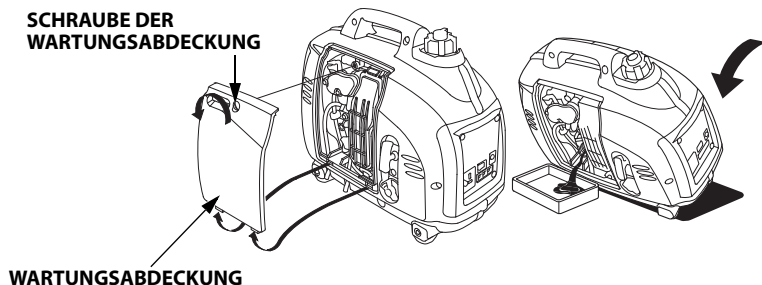
VORSICHT:

Zum Entleeren den Motorschalter ausschalten und den Entlüftungshebel am Kraftstoffeinfüllverschluss in die AUS-Stellung drehen.

1. Die Schraube der Wartungsabdeckung lösen und die Wartungsabdeckung abnehmen.
2. Den Öleinfüllverschluss entfernen.
3. Verschmutztes Öl vollständig in einen geeigneten Behälter ablaufen lassen.
4. Das empfohlene Motoröl einfüllen (siehe Seite 16), dann den Motorölstand überprüfen.

MOTORÖLMENGE: 0,25 l

5. Verschüttetes Öl vollständig vom Generator abwischen.
6. Den Öleinfüllverschluss wieder sicher anbringen.
7. Die Wartungsabdeckung wieder anbringen und die Schraube der Wartungsabdeckung anziehen.



Nach dem Kontakt mit Altöl die Hände gründlich mit Wasser und Seife reinigen.

HINWEIS:

Bei der Beseitigung des Altöls bitte die entsprechenden Umweltschutzbestimmungen beachten. Wir empfehlen, dass Sie das Altöl zu Ihrer örtlichen Tankstelle bringen. Das gebrauchte Motoröl nicht in den Abfall werfen oder auf den Boden gießen.

2. WARTUNG LUFTFILTER

Ein verschmutzter Luftfilter behindert den Zufluss von Ansaugluft zum Vergaser. Der Luftfilter muss regelmäßig gewartet werden, um eine Betriebsstörung des Vergasers zu vermeiden. Bei Betrieb in einer sehr staubigen Umgebung den Filter häufiger warten.

⚠️ WARNUNG

Niemals Benzin oder Reinigungslösungen mit niedrigem Entflammungspunkt zum Reinigen des Luftfiltereinsatzes verwenden. Ein Feuer oder eine Explosion könnte die Folge sein.

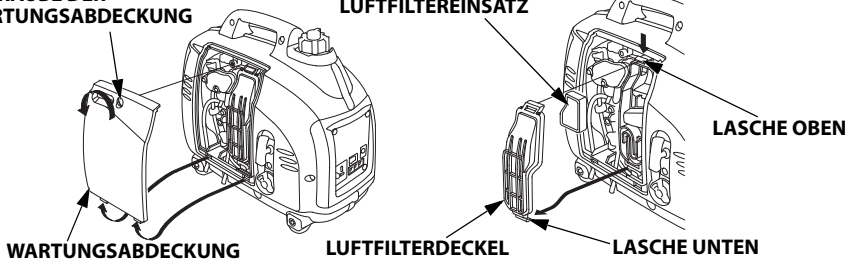
VORSICHT:

Den Generator niemals ohne Luftfilter betreiben. Dies führt zu schnellem Motorverschleiß.

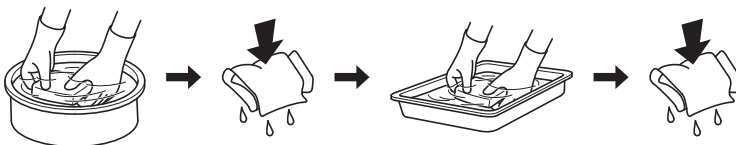
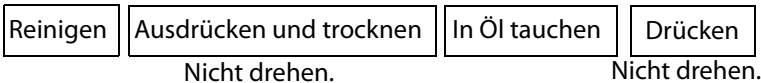
1. Die Schraube der Wartungsabdeckung lösen und die Wartungsabdeckung abnehmen.
2. Die Lasche im oberen Bereich des Luftfiltergehäuses nach unten drücken, dann den Luftfilterdeckel abnehmen.

SCHRAUBE DER WARTUNGSABDECKUNG

LUFTFILTEREINSATZ



3. In warmer Seifenlauge reinigen, spülen und gut trocknen lassen bzw. in Lösungsmittel mit hohem Flammpunkt reinigen und trocknen lassen. Tauchen Sie den Einsatz in sauberes Motoröl und drücken Sie überschüssiges Öl aus. Wenn zu viel Öl im Schaumstoffeinsatz verbleibt, kommt es beim Starten zu verstärkter Rauchbildung.



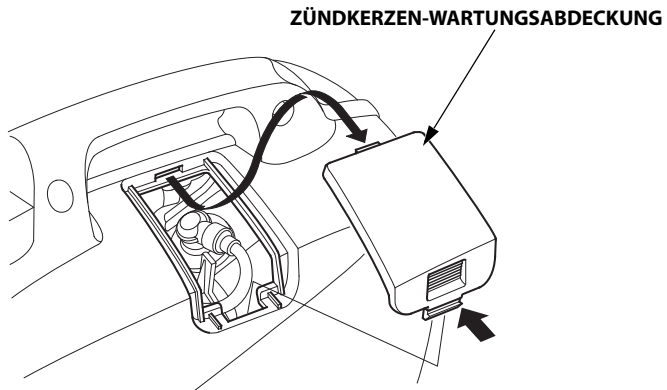
4. Den Luftfiltereinsatz wieder einsetzen.
5. Die unteren Lasche einhängen, dann die obere Lasche einsetzen und den Luftfilterdeckel wieder anbringen.
6. Die Wartungsabdeckung wieder anbringen und die Schraube der Wartungsabdeckung anziehen.

3. ZÜNDKERZENWARTUNG

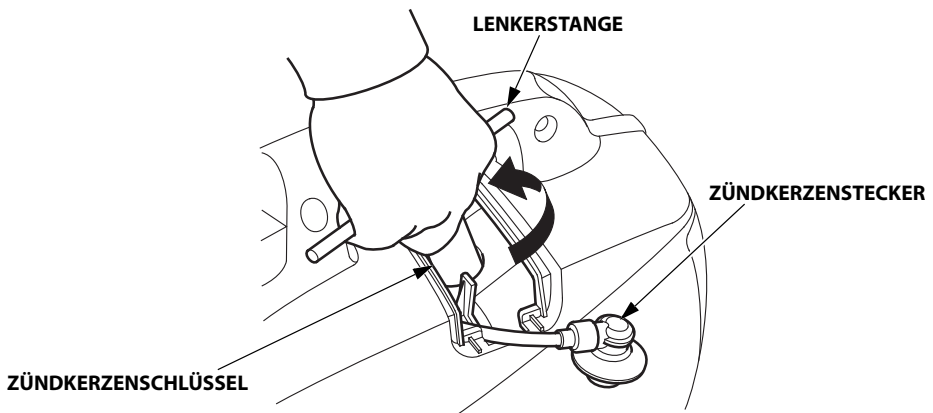
EMPFOHLENE ZÜNDKERZEN: LR4C-E (NGK)

Um einwandfreien Motorbetrieb zu gewährleisten, muss die Zündkerze einen korrekten Elektrodenabstand haben und frei von Verbrennungsrückständen sein.

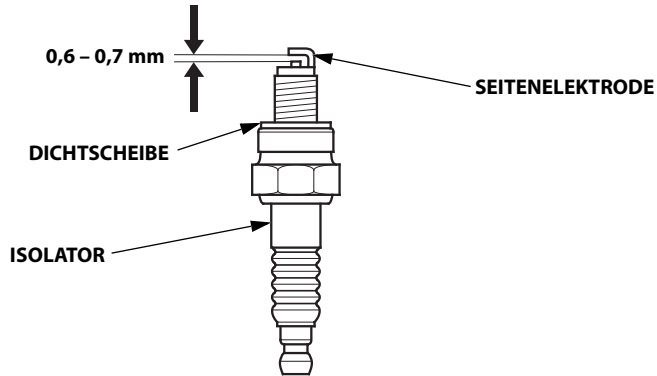
1. Die Wartungsabdeckung der Zündkerze entfernen.



2. Den Zündkerzenstecker entfernen.
3. Die Zündkerzenbasis von jeglichem Schmutz befreien.
4. Die Zündkerze mit einem Zündkerzenschlüssel losdrehen.



-
- Die Zündkerze einer Sichtprüfung unterziehen. Entsorgen, wenn der Isolator Risse oder Absplitterungen aufweist bzw. sonst beschädigt ist. Wenn die Zündkerze wieder verwendet werden soll, sie mit einer Drahtbürste reinigen.
 - Den Elektrodenabstand mit einer Fühlerlehre messen.
Zur Korrektur bei Bedarf die Seitenelektrode biegen.
Erforderlicher Elektrodenabstand:
0,6 – 0,7 mm



- Schrauben Sie die Zündkerze von Hand ein, um eine Gewindeüberschneidung zu vermeiden.
- Nachdem eine neue Zündkerze von Hand aufgesetzt wurde, muss sie mit einem Schlüssel 1/2 Umdrehung angezogen werden, um die Dichtscheibe zusammenzudrücken.
Wenn dieselbe Zündkerze wieder eingebaut wird, diese nach dem Aufsitzen nur um 1/8 bis 1/4 Umdrehung anziehen.

ANZUGSDREHMOMENT: 12 N·m

- Den Zündkerzenstecker wieder fest auf die Zündkerze aufschieben.
- Die Wartungsabdeckung der Zündkerze wieder anbringen.

VORSICHT:

- Die Zündkerze muss sicher angezogen werden. Eine nicht richtig angezogene Zündkerze kann sehr heiß werden und möglicherweise den Generator beschädigen.
- Niemals eine Zündkerze mit einem anderen Wärmewert verwenden.

9. TRANSPORT/LAGERUNG

Um ein Verschütten von Kraftstoff beim Transportieren oder zeitweisen Verstauen des Generators zu vermeiden, muss dieser aufrecht in normaler Betriebsposition bei auf AUS stehendem Motorschalter gesichert werden. Den Entlüftungshebel am Kraftstoffeinfüllverschluss gegen den Uhrzeigersinn in die AUS-Stellung drehen.

Den Entlüftungshebel am Kraftstoffeinfüllverschluss erst in die AUS-Stellung drehen, nachdem der Motor gut abgekühlt ist.

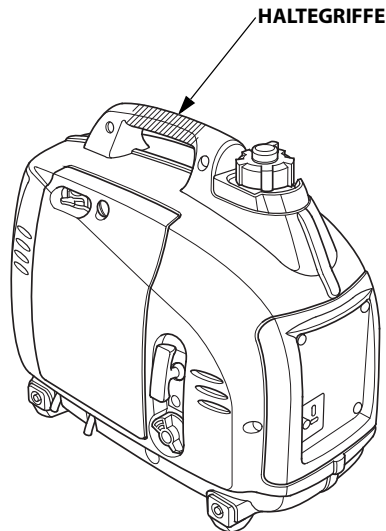
⚠ WARNUNG

Hinweise zum Transport des Generators:

- **Darauf achten, dass der Kraftstofftank nicht überfüllt wird (es darf sich kein Kraftstoff im Einfüllstutzen befinden).**
- **Der Generator darf nicht betrieben werden, wenn er sich auf einem Fahrzeug befindet. Für den Einsatz muss der Generator abgeladen und in einer gut belüfteten Umgebung aufgestellt werden.**
- **Wenn der Generator in einem Fahrzeug verstaut wird, darf dieses nicht in der prallen Sonne stehen gelassen werden. Wenn der Generator längere Zeit in einem geschlossenen Fahrzeug verbleibt, kann die Temperatur so hoch ansteigen, dass der Kraftstoff verdunstet und eine Explosion verursacht.**
- **Den Generator nicht für längere Zeit über schlechte Wegstrecken transportieren. Wenn ein Transport auf unebenen Straßen unvermeidlich ist, muss vorher der Kraftstoff abgelassen werden.**

HINWEIS:

Den Generator zum Transportieren am Halteteil anfassen (schraffierte Bereiche in der Abbildung unten).



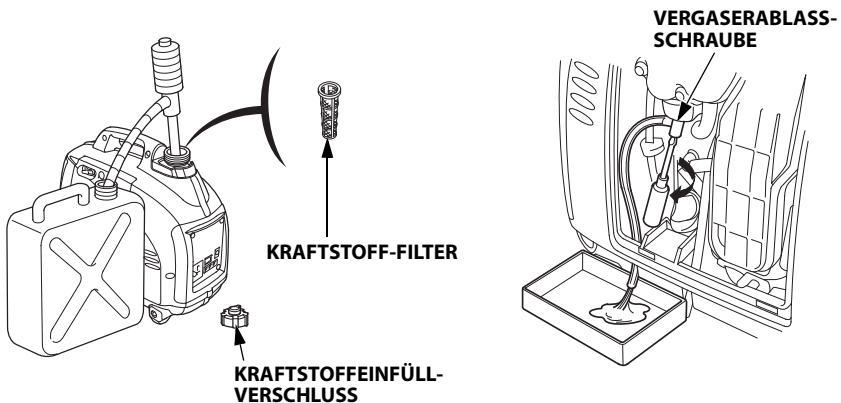
Vor einer Langzeitlagerung:

1. Sich vergewissern, dass der für die Lagerung vorgesehene Ort trocken und staubfrei ist.
2. Den Kraftstoff ablassen.

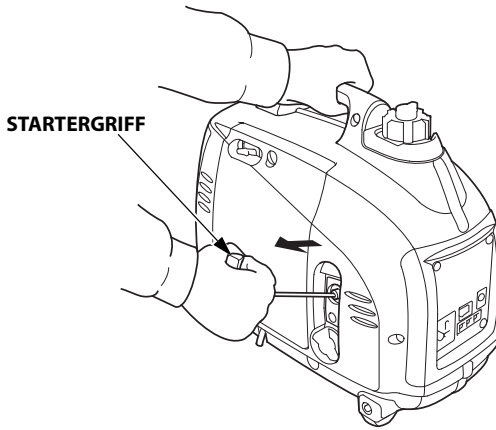
▲ WARNUNG

Benzin ist äußerst feuergefährlich und unter gewissen Bedingungen explosiv. Diese Arbeiten müssen in einem gut belüfteten Raum sowie bei abgestelltem Motor erfolgen. Während dieser Arbeiten nicht rauchen; offene Flammen und Funken sind fernzuhalten.

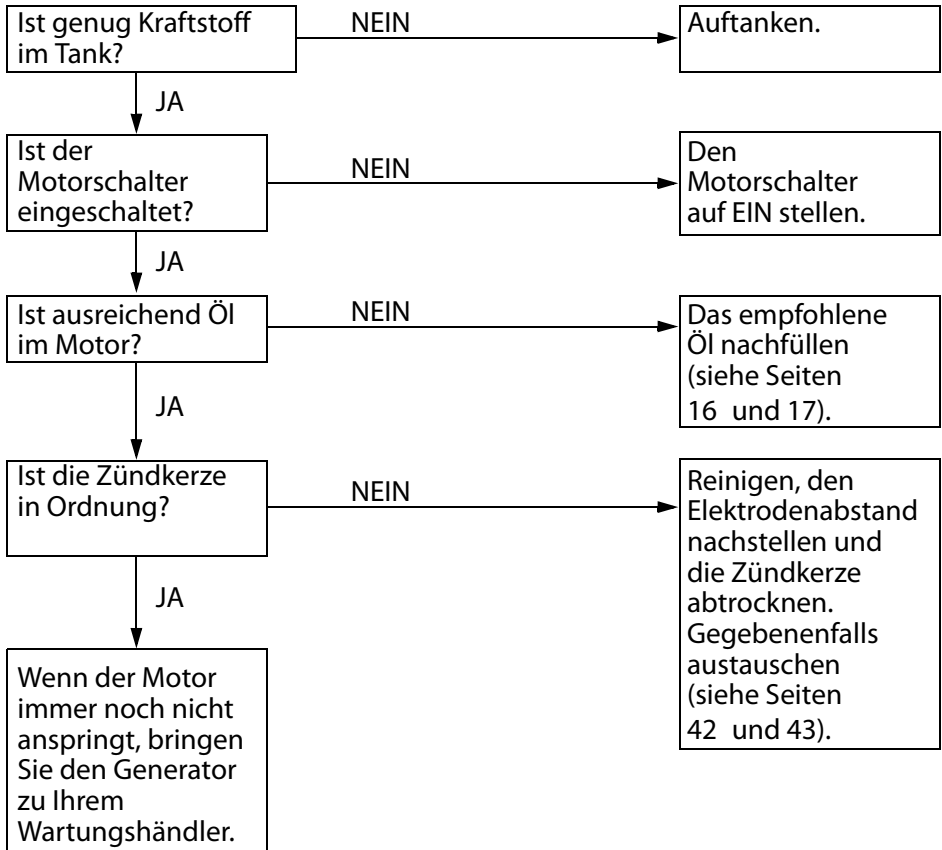
- a. Den gesamten Kraftstoff aus dem Kraftstofftank in einen zugelassenen Kraftstoffbehälter entleeren. Es empfiehlt sich eine im Handel erhältliche handbetätigte Benzinpumpe. Keine Elektropumpe verwenden. Kraftstoff-Filter und Kraftstoffeinfüllverschluss wieder anbringen.
- b. Die Schraube der Wartungsabdeckung lösen und die Wartungsabdeckung ausbauen (siehe Seite 40).
- c. Die Vergaserablass-Schraube lösen und das Benzin aus dem Vergaser in einen geeigneten Behälter laufen lassen.
- d. Die Zündkerzen-Wartungsabdeckung und den Zündkerzenstecker ausbauen (siehe Seite 42).
- e. Den Motorschalter einschalten (siehe Seite 21).
- f. 3 oder 4 Mal den Startergriff ziehen (siehe Seite 22) und das Benzin aus der Kraftstoffpumpe in einen geeigneten Behälter entleeren.
- g. Den Motorschalter auf die AUS-Position stellen.
- h. Die Vergaserablass-Schraube anziehen.



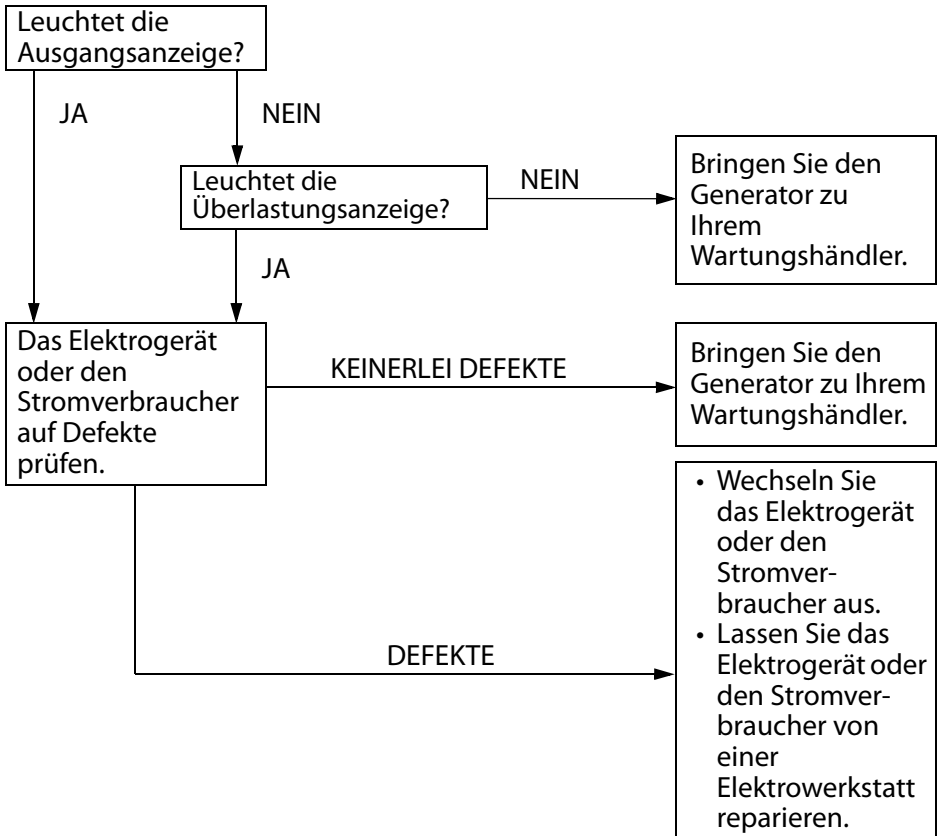
-
3. Das Motoröl wechseln (siehe Seite 40).
 4. Die Zündkerze herausdrehen und etwa einen Esslöffel sauberes Motoröl in den Zylinder gießen. Den Motor mehrmals durchdrehen, um das Öl zu verteilen und die Zündkerze wieder einschrauben.
 5. Den Zündkerzenstecker und die Zündkerzen-Wartungsabdeckung wieder einbauen.
 6. Die Wartungsabdeckung wieder anbringen und die Schraube der Wartungsabdeckung anziehen.
 7. Den Startergriff ziehen, bis ein Widerstand verspürt wird. In diesem Zustand führt der Kolben den Kompressionshub aus, und die Einlass- und Auslassventile sind geschlossen. Eine Lagerung des Motors in dieser Stellung bewirkt, dass das Innere des Motors besser vor Korrosion geschützt ist.



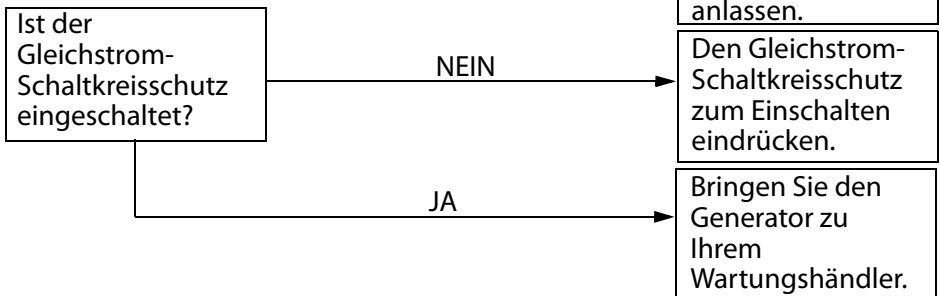
Wenn der Motor nicht anspringt:



Das Gerät funktioniert nicht:



Keine Spannung an der Gleichstrom-Steckdose:



Abmessungen und Gewichte

Modell	EU10iT1	
Typ	G, B, F, W, CL, U	GW1
Beschreibungscode	EAAT	
Länge	451 mm	456 mm
Breite	242 mm	
Höhe	379 mm	
Trockenmasse	13 kg	

Motor

Modell	GXH50T	
Motor	4-Takt, OHV, Einzylinder	
Hubraum	49,4 cm ³	
Bohrung × Hub	41,8 × 36,0 mm	
Verdichtungsverhältnis	8.0:1	
Motordrehzahl	4.000 – 6.000 min ⁻¹ 5.500 – 6.000 min ⁻¹ (bei ausgeschalteter Eco-Drosselklappe)	
Kühlsystem	gebläsegekühlt	
Zündung	Volltransistor	
Motorölmenge	0,25 l	
Kraftstofftankinhalt	2,1 l	
Zündkerze	LR4C-E (NGK)	

[Kohlendioxidemissionen (CO₂)*]

Siehe "CO₂-Informationsliste" auf www.honda-engines-eu.com/co2

* Die CO₂-Messung ist das Ergebnis der Prüfung eines für den Motortyp (die Motorfamilie) repräsentativen (Stamm-)Motors über einen festgelegten Prüfzyklus hinweg unter Laborbedingungen und weder impliziert noch garantiert sie die Leistung eines bestimmten Motors.

Generator

Modell	EU10iT1		
Typ	G, GW1, B, F, W, CL	U	
AC Ausgang	Nennspannung	230 V	240 V
	Nennfrequenz	50 Hz	50 Hz
	Nennstärke	3,9 A	3,8 A
	Nennleistung	0,9 kVA	
	Max. Leistung	1,0 kVA	
Nennleistung Gleichstrom	Nur für 12 V-Autobatterien. 12 V, 8 A		

Geräusch

Modell	EU10iT1	
Typ	G, GW1, B, F, W, CL	U
Schalldruckpegel am Arbeitsplatz (2006/42/EG)	67 dB (A) * (bei aktiviertem Eco-Drosselklappensystem (EIN))	-
<p>Mikrofonpunkt</p> <p>SCHALTTAFEL</p> <p>Mitte</p> <p>1,60 m</p> <p>1,0 m</p>		
Abweichung	-	-
Gemessener Schall-Leistungspegel (2000/14/EG, 2005/88/EG)	84 dB (A) (bei aktiviertem Eco-Drosselklappensystem (EIN))	-
Abweichung	3 dB (A)	-
Garantierter Schall-Leistungspegel (2000/14/EG, 2005/88/EG)	87 dB (A) (bei aktiviertem Eco-Drosselklappensystem (EIN))	-

* Nicht mehr als 70 dB (A)

„Bei den angegebenen Werten handelt es sich um Emissionspegel, die nicht unbedingt als sichere Arbeitspegel zu betrachten sind. Obwohl eine Korrelation zwischen Emissions- und Expositionspegeln besteht, kann auf dieser Grundlage keine zuverlässige Entscheidung darüber getroffen werden, ob weitere Vorsichtsmaßnahmen erforderlich sind oder nicht. Faktoren, die den tatsächlichen Expositionspegel der Arbeitskraft beeinflussen, umfassen die Eigenschaften des Arbeitsraums und andere Geräuschquellen, wie z. B. durch die Anzahl der Maschinen und andere in der Nähe ablaufende Prozesse bedingt, sowie die Zeitdauer, während der eine Bedienungsperson dem Geräusch ausgesetzt ist. Der zulässige Expositionspegel kann auch von Land zu Land verschieden sein. Diese Informationen ermöglichen es dem Benutzer der Maschine jedoch, die vorliegenden Gefahren und Risiken besser einzuschätzen.“

HINWEIS:

Die technischen Daten können ohne vorherige Ankündigung geändert werden.

INDEX

(siehe Innenseite der hinteren Abdeckung)

Typen G, GW1, B, F, W, CL	W-1
Typ U	W-2

ABKÜRZUNGEN

Symbol	Teilename
ACOR	Wechselstrom-Ausgangssteckdose
B	Typ B
CL	Typ CL
COT	Verbundsteckdose
CPB	Schalttafelblock
DC, D	Gleichstrom-Diode
DCOR	Gleichstrom-Ausgangssteckdose
DC, W	Gleichstromwicklung
EcoSw	Eco-Drosselklappenschalter
EgB	Motorblock
EgG	Motormasse
ESw	Motorschalter
ExW	Erregerwicklung
F	Typ F
FrB	Rahmenblock
FrG	Rahmenmasse
GeB	Generatorblock
G, GW1	Typen G, GW1
GT	Masseklemme
IB	Umrichterblock
IgC	Zündspule
IU	Wandler
MW	Hauptwicklung
OAL	Ölwarnanzeige
OI	Überlastungsanzeige
OLSw	Ölstandschalter
PC	Impulsspule
PL	Ausgangsanzeige
SP	Zündkerze
SpU	Zündkerzeneinheit
StpM	Schrittmotor
SW	Nebenwicklung
W	Typ W

KABELFARBENCODE





Bl	SCHWARZ
Y	GELB
Bu	BLAU
G	GRÜN
R	ROT
W	WEISS
Br	BRAUN
Lg	HELLGRÜN
Gr	GRAU
Sb	HIMMELBLAU
O	ORANGE
P	ROSA

SCHALTERANSCHLÜSSE

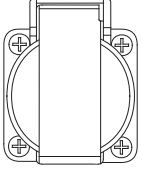

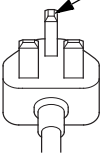
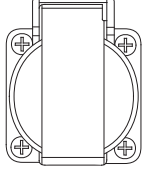

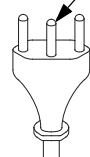
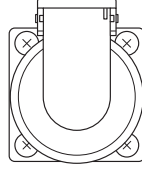

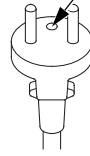
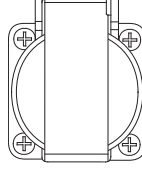

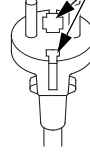
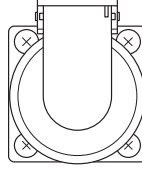
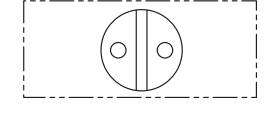
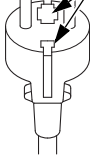
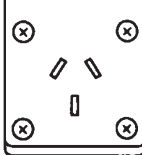

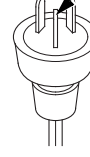
MOTORSCHALTER

	G	Bl
AUS	○	○
EIN		

ECO-DROSSELKLAPPENSCHALTER

		R/W	R/Y
EIN			
			
			
AUS		○	○

STECKDOSE

Typ	Form		Stopfen
B			<p data-bbox="860 225 981 245">MASSESTIFT</p> 
W			<p data-bbox="860 432 981 453">MASSESTIFT</p> 
F			<p data-bbox="860 639 981 660">MASSESTIFT</p> 
G, CL			<p data-bbox="860 847 981 868">MASSESTIFT</p> 
GW1			<p data-bbox="860 1054 981 1075">MASSESTIFT</p> 
U			<p data-bbox="860 1262 981 1283">MASSESTIFT</p> 

Honda EU10i

MANUAL DEL PROPIETARIO
Manual original



Le agradecemos la adquisición de este generador Honda.

Este manual abarca la operación y el mantenimiento del generador EU10i.

Toda la información contenida en esta publicación está basada en la última información del producto, disponible en el momento de la impresión.

Honda Motor Co., Ltd. se reserva el derecho a realizar cambios en cualquier momento sin previo aviso y sin incurrir en ninguna obligación.

Ninguna parte de esta publicación puede reproducirse sin permiso por escrito.

Este manual deberá considerarse como una parte permanente del generador y debe permanecer con él si se lo vende.

Prestar atención especial a las marcas siguientes:

▲ ADVERTENCIA Indica una posibilidad significativa de lesiones corporales graves o incluso fatales si no se observan las instrucciones.

ATENCION: Indica la posibilidad de daños personales o del equipo si no se siguen las instrucciones.

NOTA: Ofrece información de utilidad.

Si acontece algún problema, o si tiene alguna pregunta acerca del generador, consulte a su distribuidor autorizado de Honda.

▲ ADVERTENCIA

El generador Honda está diseñado para proporcionar un servicio seguro y fiable si se opera de acuerdo con las instrucciones. Lea y entienda el Manual del propietario antes de operar el generador. Si no lo hace así, pueden producirse lesiones corporales o daños al equipo.

La ilustración puede variar de acuerdo con el tipo.

ÍNDICE

1. INSTRUCCIONES DE SEGURIDAD	3
2. SITUACIÓN DE LAS ETIQUETAS DE SEGURIDAD	7
• Ubicación de la marca CE y de la etiqueta sobre el ruido	11
3. IDENTIFICACIÓN DE COMPONENTES	12
4. COMPROBACIONES PREVIAS ANTES DEL USO	16
5. ARRANQUE DEL MOTOR	21
• Modificación del carburador para funcionar a gran altitud.....	24
6. USO DEL GENERADOR.....	25
7. PARADA DEL MOTOR	37
8. MANTENIMIENTO.....	39
9. TRANSPORTE/ALMACENAJE	44
10.RESOLUCIÓN DE PROBLEMAS.....	47
11.ESPECIFICACIONES.....	49
12.DIAGRAMA DE CONEXIONES.....	51
RECEPTÁCULO	52
DIRECCIONES DE LOS PRINCIPALES DISTRIBUIDORES	
DE Honda	Interior de la contraportada
RESUMEN DEL CONTENIDO DE LA	
"Declaración de Conformidad CE"	Interior de la contraportada

1. INSTRUCCIONES DE SEGURIDAD

INFORMACIÓN DE SEGURIDAD IMPORTANTE

Los generadores Honda están diseñados para su empleo con equipos eléctricos que cumplen los requisitos adecuado de alimentación eléctrica. Otras aplicaciones pueden ocasionar lesiones al operador o daños en el generador y en otros sitios.

La mayor parte de lesiones o daños materiales pueden evitarse si se siguen todas las instrucciones de este manual y del generador. Los peligros más comunes se mencionan a continuación, junto con la mejor forma de protección propia y de los demás.

No intente nunca modificar el generador. Podría causar un accidente y daños en el generador y en los aparatos. La manipulación del motor anula la homologación de tipo de la UE de este motor.

- No conecte una extensión al silenciador.
- No modifique el sistema de admisión.
- No ajuste el regulador.
- No extraiga el panel de control ni efectúe cambios en las conexiones del panel de control.

Responsabilidades del operador

Aprenda a parar con rapidez el generador en caso de emergencia.

Comprenda el empleo de todos los controles del generador, receptáculos de salida, y conexiones.

Asegúrese de que todas las personas que empleen el generador hayan recibido la instrucción apropiada. No permita a los niños que operen el generador sin supervisión paterna.

Observe sin falta las instrucciones de este manual sobre el modo de empleo del generador y la información sobre el mantenimiento. Si se ignoran o se siguen incorrectamente las instrucciones puede ocasionarse un accidente como pueda ser una descarga eléctrica, y puede deteriorarse el estado de los gases de escape.

Observe todas las leyes y reglamentaciones aplicables en el lugar de utilización del generador.

La gasolina y el aceite son tóxicos. Siga las instrucciones proporcionadas por cada fabricante antes de su empleo.

Ponga el generador en un lugar firme y nivelado antes de la operación.

No opere el generador cuando alguna de las tapas esté desmontada. Podrá pillarse una mano o un pie en el generador y sufrir un accidente.

Para el desmontaje y el servicio del generador que no se describe en este manual, consulte a su concesionario Honda autorizado.

Peligros del monóxido de carbono

Los gases de escape contienen monóxido de carbono venenoso, que es un gas incoloro e inodoro. Si se aspiran los gases de escape pueden ocasionar la pérdida del conocimiento y pueden causar la muerte.

Si pone en marcha el generador en lugares cerrados, o incluso en lugares parcialmente cerrados, es posible que el aire que usted respire contenga una cantidad peligrosa de gases de escape.

No ponga nunca en marcha el generador dentro de un garaje, de una casa ni cerca de puertas o ventanas abiertas.

Peligros de descargas eléctricas

El generador produce suficiente energía eléctrica como para causar descargas eléctricas graves o electrocución si se utiliza indebidamente.

El empleo de un generador o de un aparato eléctrico en condiciones mojadas, como pueda ser bajo la lluvia o nieve, o cerca de una piscina o de un sistema de riego con rociador, puede ocasionar electrocución.

Mantenga seco el generador.

Si el generador se almacena al aire libre, desprotegido contra la intemperie, compruebe siempre todos los componentes eléctricos del panel de control antes de utilizarlo. La humedad o el hielo pueden causar mal funcionamiento o cortocircuitos de los componentes eléctricos, lo que puede ser causa de electrocución.

Si recibe una descarga eléctrica, consulte a un médico y solicite inmediatamente tratamiento médico.

Peligros de incendios y quemaduras

No emplee el generador en lugares en los que exista peligro de incendio.

El sistema de escape se calienta lo suficiente como para encender ciertos materiales.

- Mantenga el generador por lo menos a 1 metro de distancia de edificios y de otros equipos durante la operación.
- No encierre el generador en ninguna estancia.
- Mantenga los materiales inflamables apartados del generador.

Algunas partes del motor de combustión interna se calientan y pueden causar quemaduras. Ponga atención a las advertencias del generador.

El silenciador se calienta mucho durante la operación, y sigue caliente durante cierto tiempo después de haber parado el motor. Tenga cuidado y no toque el silenciador mientras esté caliente. Deje que se enfríe el motor antes de almacenar el generador en un local cerrado.

En el caso de producirse fuego, no rocíe agua directamente al generador para apagarlo. Emplee un extintor de incendios apropiado que esté especialmente diseñado para fuegos eléctricos o de carburantes.

Si ha inhalado el humo producido por un incendio accidental con el generador, consulte a un médico y solicite inmediatamente tratamiento médico.

Reposte con cuidado

La gasolina es muy inflamable, y el vapor de gasolina puede explotar. Deje que el motor se enfríe si el generador ha estado funcionando.

Reposte sólo en exteriores en un lugar bien ventilado con el motor parado.

No reposte durante el funcionamiento.

No rellene excesivamente el depósito de combustible.

No fume nunca cerca de la gasolina, y mantenga apartados el fuego y las chispas.

Guarde siempre la gasolina en un recipiente homologado.

Asegúrese de haber limpiado el combustible que se haya derramado antes de poner en marcha el motor.

A prueba de explosión

Este generador no cumple con la calificación de equipo a prueba de explosión.

Eliminación

Para proteger el medio ambiente, no tire el generador, la batería, el aceite de motor, etc. usados en un punto para la recogida de la basura.

Observe las leyes y regulaciones de su localidad o consulte a un concesionario de generadores Honda autorizado cuando deba tirar tales partes.

Tire el aceite de motor usado de forma que sea compatible con el medio ambiente. Le sugerimos que lo guarde en un recipiente sellado y lo lleve a la estación de servicio para reclamación. No lo tire a la basura ni al suelo.

La eliminación inadecuada de la batería puede dañar el medio ambiente. Para su eliminación, confirme siempre las regulaciones locales. Para su reemplazo, póngase en contacto con su concesionario de servicio.

ELIMINACIÓN DEL GENERADOR



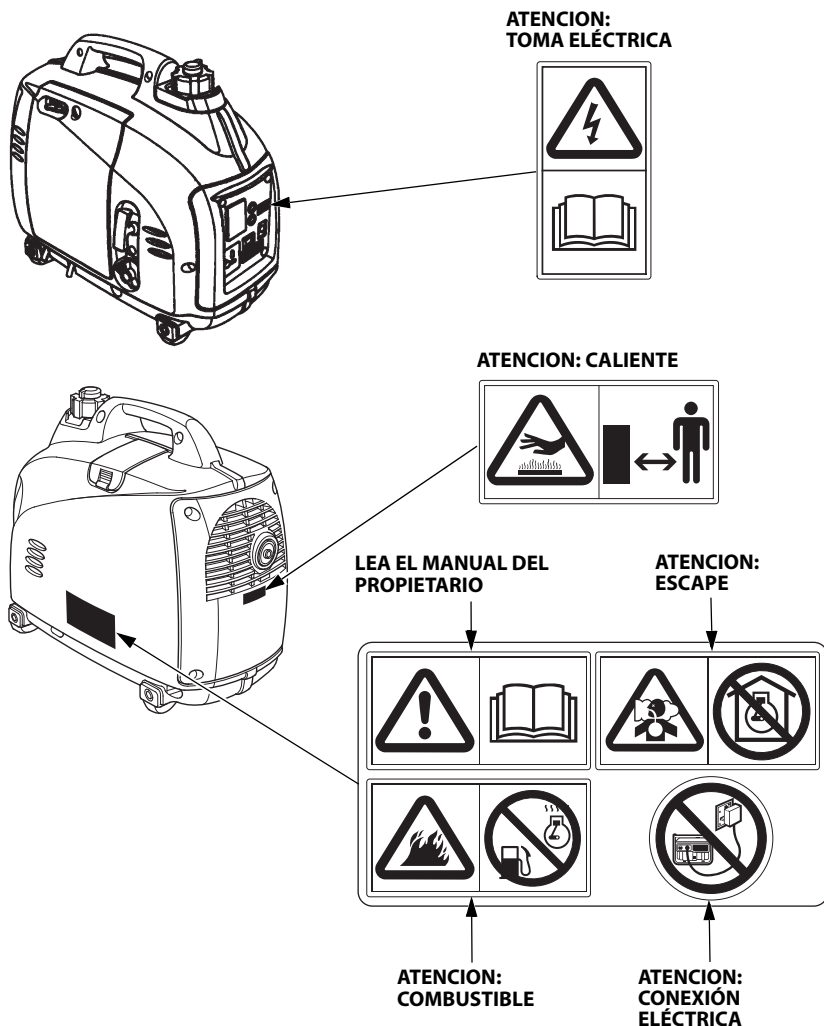
No tire equipos eléctricos con la basura doméstica. Si la eliminación de aparatos eléctricos se realiza en un vertedero, las sustancias que contienen pueden derramarse, reaccionar y entrar en contacto con la cadena alimenticia, dañando su salud y bienestar. Para obtener más información sobre la eliminación de este producto, póngase en contacto con su concesionario o el servicio de recogida de basuras domésticas más cercano.

2. SITUACIÓN DE LAS ETIQUETAS DE SEGURIDAD

Estas etiquetas le avisan sobre peligros potenciales que pueden ocasionar heridas graves. Lea con atención las etiquetas y notas de seguridad así como las precauciones descritas en este manual.

Si una de estas etiquetas se despegó o si resulta difícil de leer, solicite su reemplazo a su concesionario de servicio.

Para modelo europeo: Tipos G, GW1, B, F, W, CL

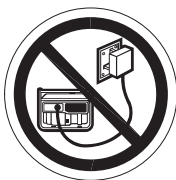




- El generador de Honda permite un servicio seguro y fiable si se maneja según las instrucciones. Lea y comprenda este manual del propietario antes de utilizar el generador. Si no lo hace así, pueden producirse lesiones corporales o daños al equipo.



- Los gases de escape contienen monóxido de carbono venenoso, que es un gas incoloro e inodoro. Si se aspira monóxido de carbono puede ocasionar la pérdida del conocimiento y puede causar la muerte.
- Si pone en marcha el generador en lugares cerrados, o incluso en lugares parcialmente cerrados, es posible que el aire que usted respire contenga una cantidad peligrosa de gases de escape.
- No ponga nunca en marcha el generador dentro de un garaje, de una casa ni cerca de puertas o ventanas abiertas.



- Las conexiones inadecuadas al sistema eléctrico de un edificio pueden permitir que la corriente del generador se realimente a la red principal de suministro eléctrico. Este tipo de realimentación puede electrocutar a los operarios de la compañía de electricidad o a otras personas que entren en contacto con las líneas de transmisión durante una suspensión del suministro, y el generador podría explotar, quemarse u ocasionar un incendio al restaurarse el suministro eléctrico. Consulte a la compañía suministradora de electricidad o a un electricista cualificado antes de efectuar conexiones eléctricas.



- **La gasolina es muy inflamable y explosiva. Pare el motor y espere a que se enfríe antes de repostar.**



- **Conecte y extraiga la caja de receptáculos para operación en paralelo cuando el motor esté parado.**
- **Para la operación sencilla debe extraerse la caja de receptáculos para operación en paralelo.**



- **El sistema de escape puede causar quemaduras serias cuando está caliente. No lo toque si el motor ha estado en marcha.**

Tipo U y tipo CL

[Tipo CL]

ADVERTENCIA DE SEGURIDAD
De acuerdo a la resolución exenta N° 1495 de la SEC.

La gasolina es altamente inflamable y explosiva, Usted puede resultar con quemaduras o seriamente herido si la gasolina se enciende.

■ Antes de rellenar con combustible, detenga el motor y mantenga lejos las fuentes de calor, chispas y llamas.

■ Manipule el combustible solamente en espacios exteriores.

■ No llene el estanque de combustible sobre su nivel máximo.

■ Limpie inmediatamente cualquier salpicadura de combustible.

■ Después de funcionar, llve el interruptor de encendido y la tapa del estanque de combustible a la posición "OFF" para prevenir fugas de combustible.

Los gases de escape contienen monóxido de carbono que es venenoso, y puede ser peligroso al inhalarse en espacios cerrados. Respirar monóxido de carbono puede dejarlo inconsciente o causar la muerte.

■ Nunca opere el generador en espacios cerrados o incluso parcialmente cerrados, cuando exista gente presente.

Conexiones mal realizadas hacia un inmueble, puede permitir que la corriente fluya en sentido inverso hacia el generador, creando un potencial riesgo de electrocución.

■ Las conexiones a un inmueble deben seguir la corriente del generador de la red pública, y deben cumplir con las leyes correspondientes y códigos de seguridad eléctricos.

El generador es una fuente potencial de choques eléctricos si no se mantiene en un ambiente seco.

■ No exponga el generador a humedad, lluvia o nieve.

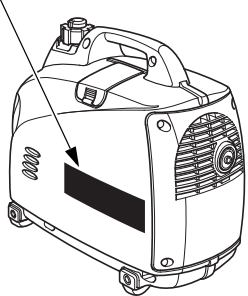
■ No opere el generador con las manos húmedas.

■ Un sistema de escape caliente puede causarles serias quemaduras.

■ Evite el contacto si el motor ha estado funcionando

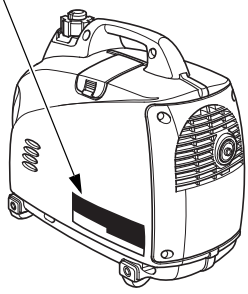
Lea cuidadosamente el manual del propietario antes de operar el equipo.

Honda Motor de Chile S.A. San Ignacio 031, Quilicura, Santiago



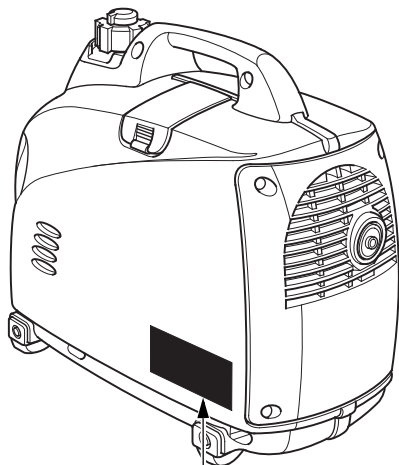
[Tipo U]

<p style="text-align: center;">⚠ CAUTION</p> <p>■ DO NOT USE Indoors DUE TO DANGER OF CARBON MONOXIDE POISONING.</p> <p>■ DO NOT CONNECT THE RECEPTACLE OF THIS GENERATOR TO HOUSE WIRING.</p> <p>■ STOP THE ENGINE BEFORE REFUELING.</p> <p>■ CHECK FOR SPILLED FUEL OR FUEL LEAKS.</p> <p>■ DO NOT FILL THE FUEL TANK BEYOND THE UPPER LIMIT LINE.</p> <p>■ FOR DETAILED EXPLANATION, READ THE OWNER'S MANUAL.</p> <p>■ WHEN STORED OR IN TRANSIT, MAKE CERTAIN THAT THE ENGINE SWITCH AND THE FUEL TANK CAP LEVER ARE IN "OFF" POSITION TO PREVENT FUEL LEAKS.</p> <p>■ BE SURE TO CONNECT ONLY THE SPECIAL LEAD TO THE PARALLEL OPERATION RECEPTACLE.</p>	<p style="text-align: center;">⚠ ATTENTION</p> <p>■ NE PAS UTILISER DANS UN LOCAL CLOS OU LES VAPEURS NOCIVES DE MONOXYDE DE CARBONE PEUVENT S'ACCUMULER.</p> <p>■ NE JAMAIS CONNECTER LE GROUPE ELECTROGENE A UNE PRISE DE SECTEUR.</p> <p>■ ARRÊTER LE MOTEUR AVANT DE FAIRE LE PLEIN D'ESSENCE.</p> <p>■ CONTRÔLER QU'IL N'Y A PAS FUIITE D'ESSENCE, INDÉCESSAIRE REPARÉE SUR L'APPAREIL.</p> <p>■ NE PAS REMPLIR LE RÉSERVOIR D'ESSENCE AU-DESSUS DU REPERE DE NIVEAU MAXIMUM.</p> <p>■ POUR PLUS D'INFORMATIONS, LIRE LE MANUEL DE L'UTILISATEUR.</p> <p>■ QUAND LE GROUPE ELECTROGENE EST REMISE OU TRANSPORTE, S'ASSURER QUE LE CONTACT D'ARRÊT DU MOTEUR ET LA MISE A L'AIR LIBRE DU RÉSERVOIR D'ESSENCE SONT SUR LA POSITION "OFF" AFIN D'ÉVITER TOUTE FUIITE D'ESSENCE.</p> <p>■ CONNECTER UNIQUEMENT LE CORDON SPECIAL A LA PRISE POUR UTILISATION EN PARALLELE.</p>
---	---



• Ubicación de la marca CE y de la etiqueta sobre el ruido

Tipos G, GW1, B, F, W, CL



• MARCA CE

ETIQUETA SOBRE EL RUIDO

Clase de prestaciones

Clase de calidad

Clase IP

Masa en seco (peso)

Fabricante y dirección

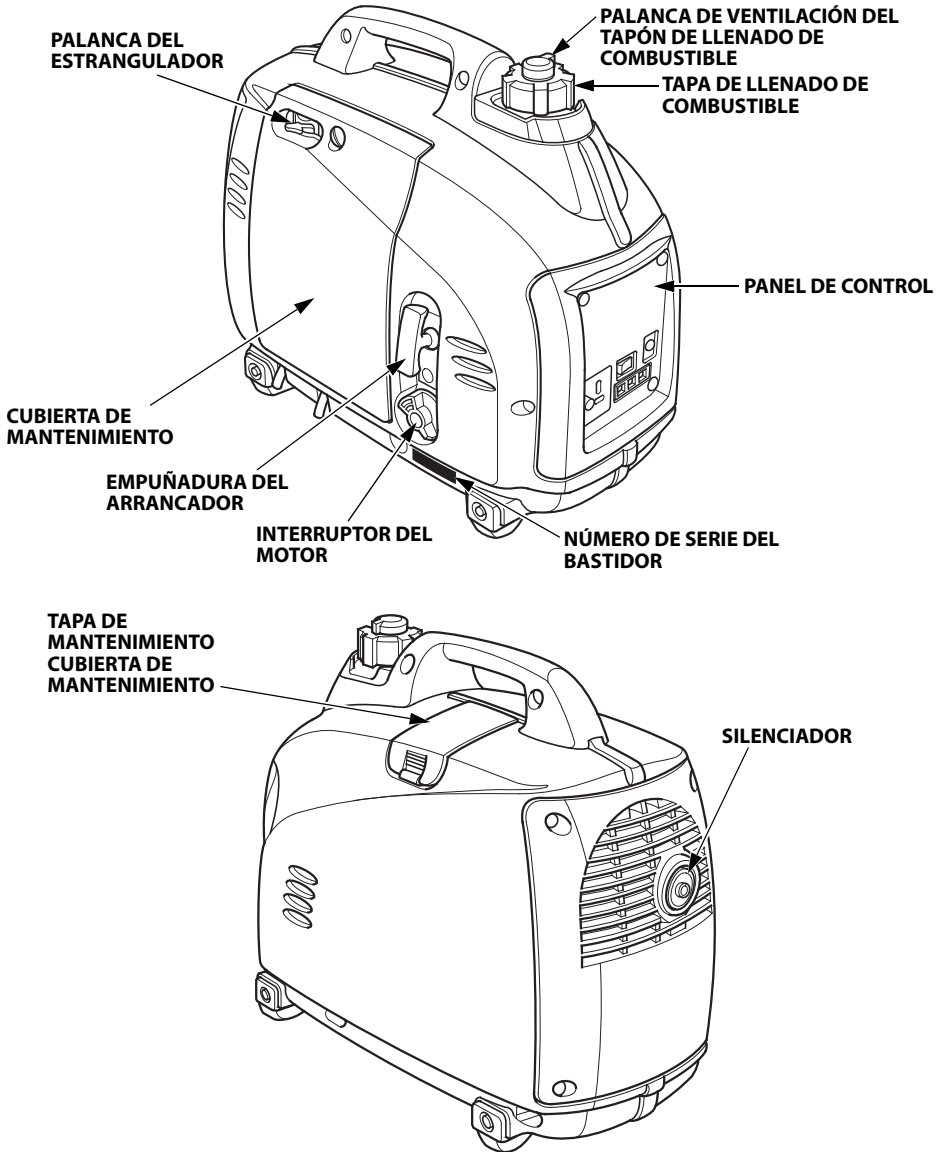
Año de fabricación

Nombre y dirección del representante autorizado y del importador

L _{WA} 87 dB		EU10i CE Low-power generating set EN ISO 8528-13		
Maximum power	MAX 1.0 kW	50 Hz	G1	
Rated power	COP 0.9 kW	230 V	A	
Rated power factor	1.0	3.9A	IP23M	
Year of Mfg.		Masskg

El nombre y dirección del fabricante, el representante autorizado y el importador figuran en la "Declaración de conformidad CE" RESUMEN DE CONTENIDOS en este manual.

3. IDENTIFICACIÓN DE COMPONENTES



Anote el número de serie del bastidor en el espacio de abajo. Necesitará este número de serie para realizar pedidos de piezas.

Número de serie del bastidor: _____

PANEL DE CONTROL

Tipos G, B, W, CL

Tipos F, GW1

RECEPTÁCULO DE CA

RECEPTÁCULO DE CA

TOMA DE OPERACIÓN EN PARALELO

INTERRUPTOR DE ACELERADOR ECO

TERMINAL DE TIERRA

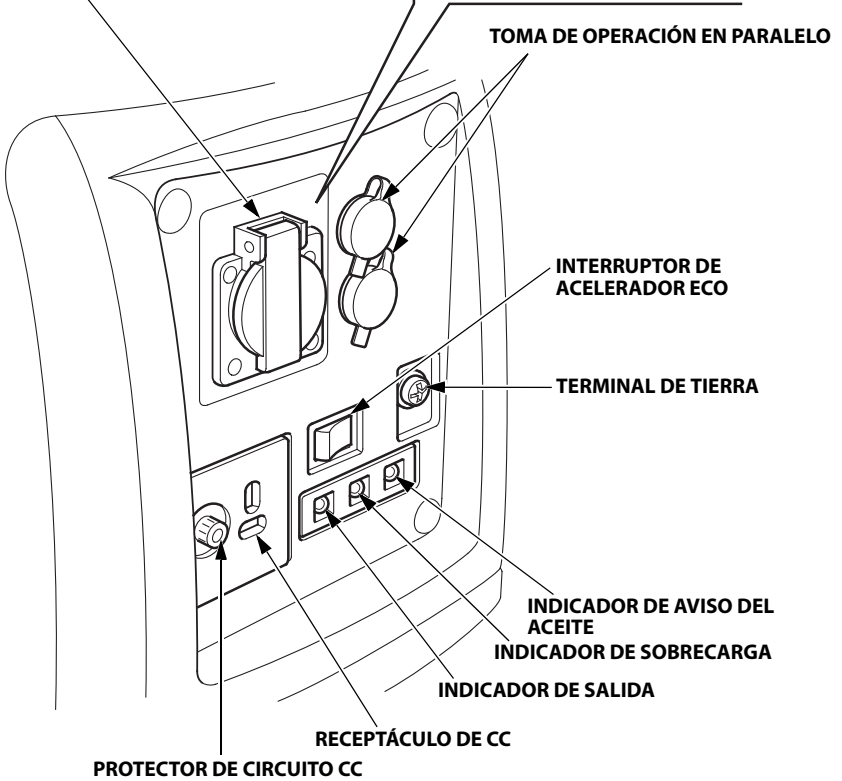
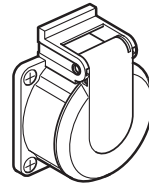
INDICADOR DE AVISO DEL ACEITE

INDICADOR DE SOBRECARGA

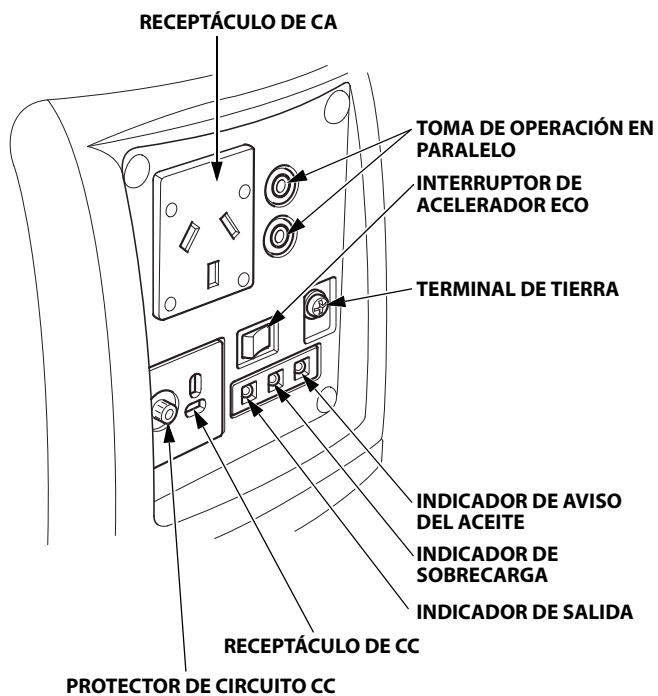
INDICADOR DE SALIDA

RECEPTÁCULO DE CC

PROTECTOR DE CIRCUITO CC



Tipo U



Acelerador Eco

ECO:

La velocidad del motor se mantiene al ralentí automáticamente cuando se desconecta el aparato eléctrico y retorna a la velocidad adecuada para la carga eléctrica cuando se conecta el aparato eléctrico. Se recomienda esta posición para minimizar el consumo de combustible durante la operación.

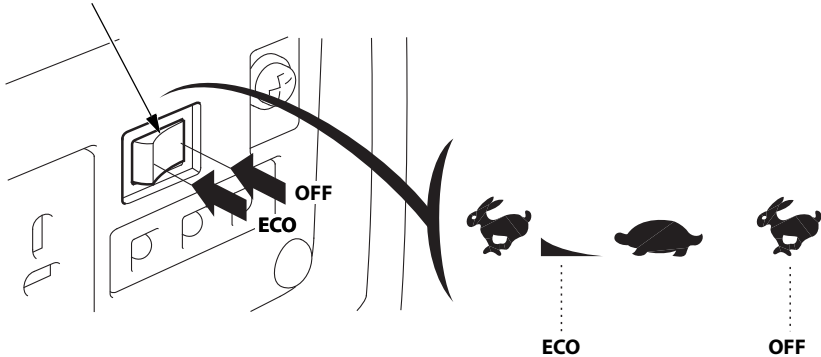
NOTA:

- El sistema del acelerador Eco no opera de forma suficiente si el aparato eléctrico requiere energía eléctrica momentánea.
- Gire el interruptor del acelerador Eco a la posición OFF para reducir los cambios de tensión cuando se conectan simultáneamente aparatos con grandes cargas eléctricas.
- En operación de CC, gire el interruptor del acelerador Eco a la posición OFF.

OFF:

No funciona el sistema del acelerador Eco. La velocidad del motor se mantiene dentro del margen indicado en Velocidad del motor (con el acelerador Eco desactivado) en la página "ESPECIFICACIONES".

INTERRUPTOR DE ACELERADOR ECO



4. COMPROBACIONES PREVIAS ANTES DEL USO

ATENCIÓN:

Cerciorarse de que el generador esté sobre una superficie nivelada con el motor parado.

Antes de cada utilización, mire en torno al motor y debajo del mismo para ver si hay indicios de fugas de aceite o de gasolina.

1. Compruebe el nivel del aceite de motor.

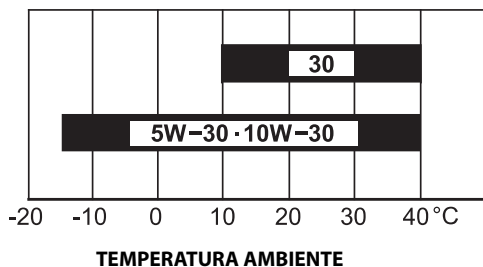
ATENCIÓN:

El empleo de aceite de motor de 2 tiempos o aceite no detergente puede acortar la vida útil de servicio del motor.

Aceite recomendado

Emplee aceite de motor de 4 tiempos que satisfaga o exceda los requisitos para la categoría de servicio API de SE o posterior (o equivalente). Compruebe siempre la etiqueta de servicio API del recipiente de aceite para asegurarse que incluye las letras SE o posterior (o equivalente).

Lea las instrucciones en el recipiente de aceite antes de su empleo.



Se recomienda el SAE 10W-30 para aplicaciones generales. Las otras viscosidades mostradas en la gráfica pueden utilizarse cuando la temperatura media de su zona está dentro del margen indicado.

Especificaciones de aceite lubricante necesarias para mantener el rendimiento del sistema de control de emisiones: aceite original Honda.

- (1) Afloje el tornillo de la cubierta de mantenimiento y extraiga la cubierta de mantenimiento (vea la página 40).
- (2) Extraiga la tapa de relleno de aceite.
- (3) Compruebe el nivel de aceite. Si está bajo el límite superior, rellene con el aceite recomendado (vea página 16) hasta el límite superior.
- (4) Instale de nuevo la tapa de relleno de aceite con seguridad.

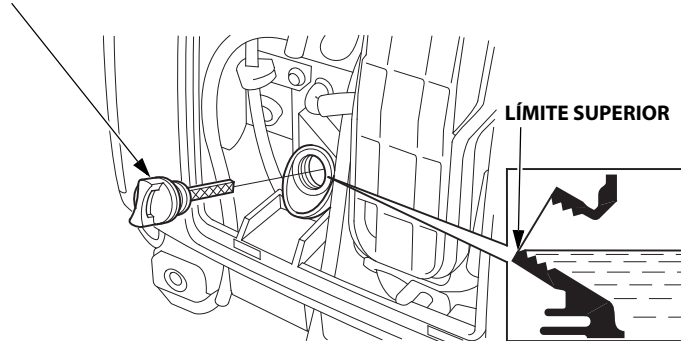
ATENCIÓN:

Si se hace funcionar el motor sin suficiente aceite se pueden causar serios daños al mismo.

NOTA:

El sistema de alerta de aceite parará automáticamente el motor antes de que el nivel de aceite caiga por debajo del límite de seguridad. Sin embargo, para evitar la inconveniencia de una parada inesperada, sigue siendo aconsejable inspeccionar visualmente con regularidad el nivel del aceite.

TAPÓN DE LLENADO DE ACEITE



2. Compruebe el nivel de combustible.

Si el nivel de combustible es bajo, llene el depósito de combustible hasta el nivel especificado.

Después de repostar, apriete con seguridad el tapón de llenado de combustible.

Combustible recomendado

Gasolina sin plomo
91 octanos de investigación o superior
86 octanos de bomba o superior

Este motor está homologado para funcionar con gasolina sin plomo con un valor de octanos de bomba de 86 o más alto (un valor de octanos de investigación de 91 o más alto).

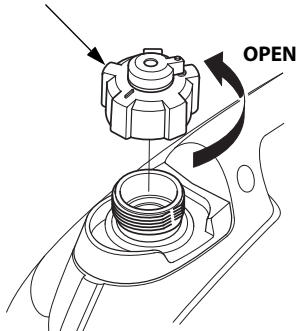
Especificaciones de combustible necesarias para mantener el rendimiento del sistema de control de emisiones: combustible E10 indicado en la normativa de la UE.

No emplee nunca gasolina pasada o sucia, ni mezclada con aceite. Evite la entrada de suciedad o agua en el depósito de combustible.

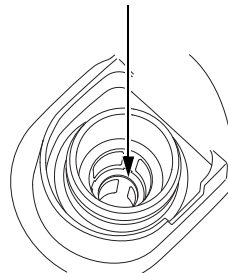
▲ ADVERTENCIA

- **La gasolina es muy inflamable y explosiva bajo ciertas condiciones.**
 - **Rellene en un área bien ventilada con el motor parado. No fume ni permita la presencia de fuego ni chispas cuando rellene o en el lugar donde guarde la gasolina.**
 - **No rellene excesivamente el depósito de combustible (no deberá haber combustible por encima de la marca del límite superior). Después de repostar, asegúrese de que la tapa de relleno de combustible quede correctamente cerrada con seguridad.**
 - **Tenga cuidado de no derramar combustible cuando se rellena. Los derrames de combustible y sus vapores pueden inflamarse. Si se derrama combustible, asegúrese de que el área está seca antes de arrancar el motor.**
 - **Evite un contacto repetido o prolongado con la piel o la inhalación de vapor.**
- MANTENER ALEJADO DEL ALCANCE DE LOS NIÑOS.**

TAPA DE LLENADO DE COMBUSTIBLE



MARCA DE LÍMITE SUPERIOR



NOTA:

La gasolina se echa a perder con rapidez dependiendo de factores tales como la exposición a la luz, la temperatura y el tiempo.

En el peor de los casos, la gasolina puede echarse a perder en 30 días.

El empleo de gasolina sucia puede causar serios daños en el motor (obstrucciones en el carburador, agarrotamiento de válvulas).

Estos daños debidos a un combustible que no está en buenas condiciones no están cubiertos por la garantía.

Para evitar estas situaciones, siga estrictamente estas recomendaciones:

- Emplee sólo la gasolina especificada (vea la página 17).
- Emplee gasolina nueva y limpia.
- Para aminorar el deterioro, mantenga la gasolina en un recipiente de combustible homologado.
- Si se tiene que almacenar durante mucho tiempo (más de 30 días), drene el depósito de combustible y el carburador (vea la página 45).

Gasolinas con alcohol

Si decide utilizar gasolina con alcohol (gasohol), asegúrese que el octanaje sea al menos tan alto como el recomendado por Honda.

Existen dos tipos de "gasohol": uno que contiene etanol y otro que contiene metanol.

No utilice gasohol con más del 10% de etanol.

No emplee nunca gasolina que contenga más del 5% de metanol (alcohol metílico o alcohol de madera) o gasolina que contenga metanol si no contiene cosolventes e inhibidores contra la corrosión para metanol.

NOTA:

- Los daños en el sistema de combustible o los problemas de rendimiento del motor causados por la utilización de gasolina que contenga más cantidad de alcohol que la recomendada no están cubiertos por la garantía.
- Antes de adquirir gasolina de una gasolinera desconocida, compruebe si la gasolina contiene alcohol, y en caso de contenerlo, pregunte el tipo y porcentaje de alcohol utilizado.

Si nota síntomas indeseados de funcionamiento mientras usa una determinada gasolina. Cambie a una gasolina que sepa que contiene una cantidad de alcohol menor que la recomendada.

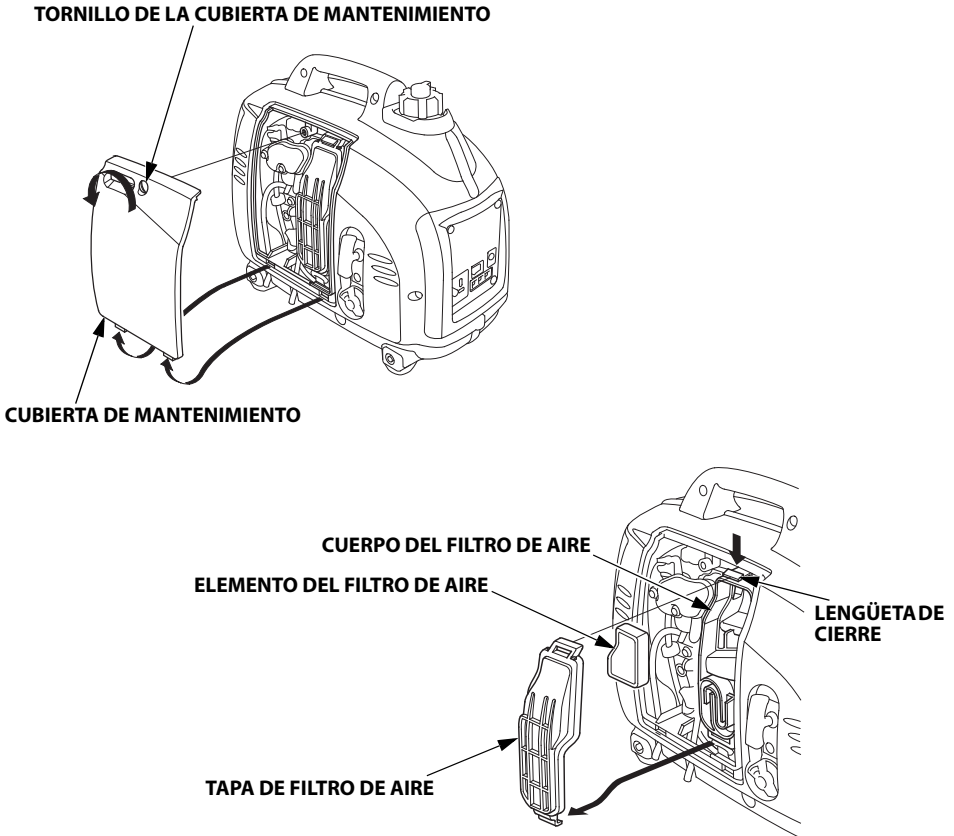
3. Comprobar el elemento del filtro.

Compruebe el elemento del filtro de aire y asegúrese de que esté limpio y en buen estado.

Afloje el tornillo de la cubierta de mantenimiento y extraiga la cubierta de mantenimiento. Presione la lengüeta de cierre de la parte superior del cuerpo del filtro de aire, extraiga la cubierta del filtro de aire, y compruebe el elemento. Limpie o reemplace el elemento si es necesario (vea la página 41).

ATENCIÓN:

Nunca ponga en marcha el motor sin el elemento del filtro de aire. El motor podría desgastarse con rapidez, debido al polvo y suciedad que ingresan al motor a través del carburador.



5. ARRANQUE DEL MOTOR

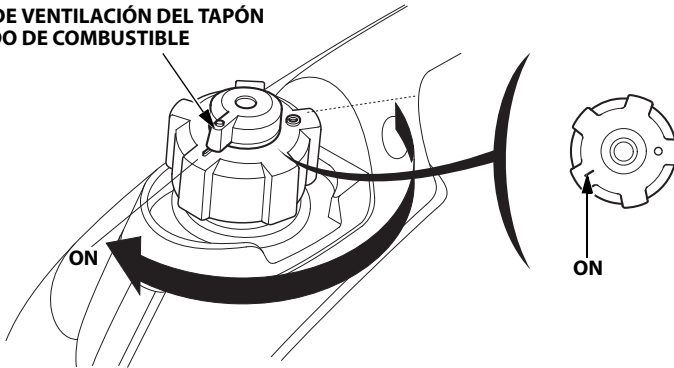
Antes de arrancar el motor, desconecte cualquier carga que pueda haber en el receptáculo de CA.

1. Gire la palanca de ventilación del tapón de llenado de combustible completamente hacia la derecha a la posición ON.

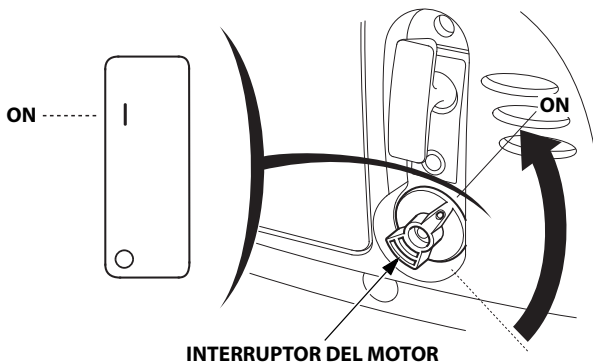
NOTA:

Gire la palanca de ventilación del tapón de llenado de combustible a la posición OFF cuando transporte el generador.

PALANCA DE VENTILACIÓN DEL TAPÓN DE LLENADO DE COMBUSTIBLE



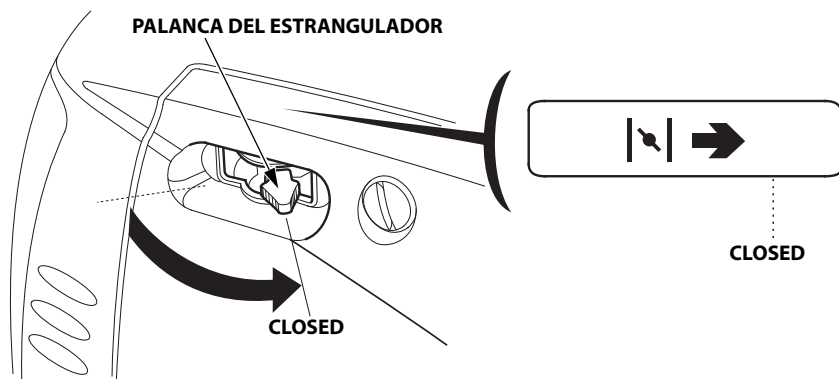
2. Gire el interruptor del motor a la posición ON.



3. Mueva la palanca del estrangulador a la posición CLOSED.

NOTA:

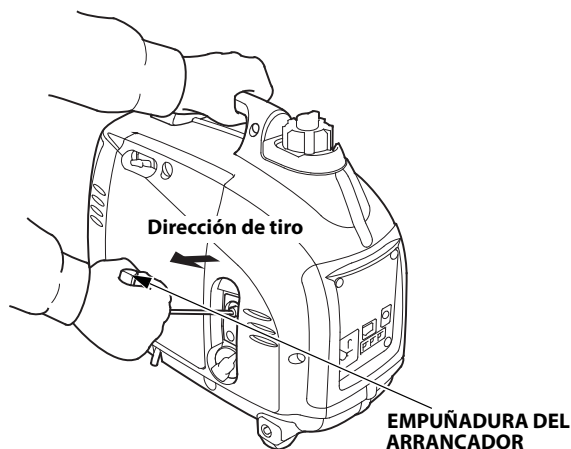
No emplee el estrangulador cuando el motor esté caliente ni cuando la temperatura del aire sea alta.



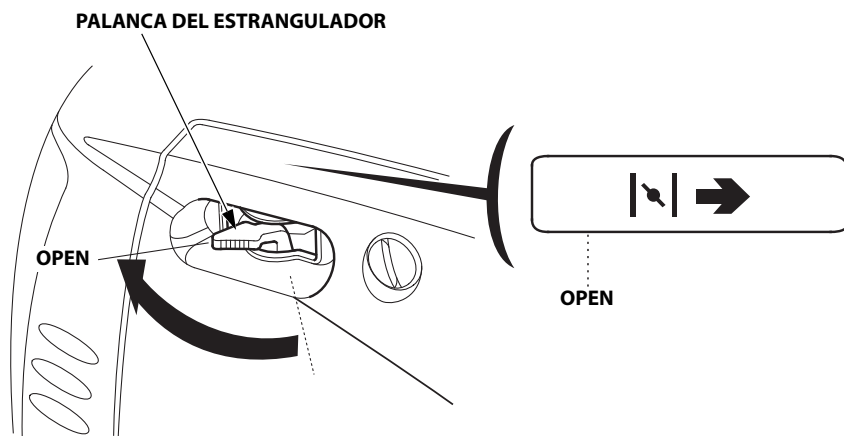
4. Tire ligeramente de la empuñadura del arrancador hasta notar resistencia, y entonces tire con fuerza de la empuñadura del arrancador en la dirección de la flecha como se muestra abajo.

ATENCIÓN:

- La empuñadura del arrancador puede retroceder con mucha rapidez antes de que usted la suelte. Esta fuerza puede arrastrarle la mano con fuerza hacia el motor y causarle lesiones.
- No permita que retroceda con efecto de resorte la empuñadura del acelerador. Haga que retroceda con la mano.



5. Mueva la palanca del estrangulador a la posición OPEN a medida que el motor se calienta.



NOTA:

Si el motor se para y no vuelve a arrancar, compruebe el nivel del aceite de motor, (vea la página 17) antes de realizar la localización y reparación de averías en otras partes.

• **Modificación del carburador para funcionar a gran altitud**

A grandes altitudes, la mezcla normal de aire-combustible del carburador será demasiado rica. Se reducirá el rendimiento y aumentará el consumo de combustible. Si la mezcla es demasiado rica, ensuciará también la bujía y puede dificultar el arranque. El funcionamiento a una altitud distinta de la certificada para este motor, durante períodos prolongados de tiempo, puede ocasionar un incremento en las emisiones de escape.

El rendimiento a grandes altitudes podrá mejorar mediante modificaciones específicas en el carburador. Si siempre opera el generador a altitudes de más de 610 metros, solicite a su concesionario de servicio que efectúe esta modificación del carburador. Este motor conformará cada una de las normas sobre las emisiones de escape durante toda su vida de servicio cuando se opere a gran altitud con las modificaciones del carburador para funcionar a grandes altitudes.

Incluso con la modificación del carburador, la potencia del motor se reducirá aproximadamente el 3,5% por cada 300 m de incremento de la altitud. El efecto de la altitud en la potencia será mayor si no se han efectuado las modificaciones en el carburador.

ATENCIÓN:

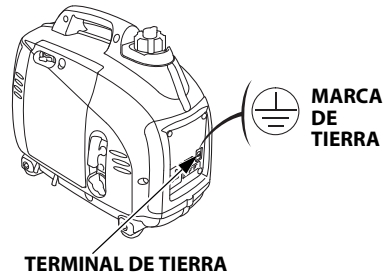
Cuando se haya modificado el carburador para funcionar a gran altitud, la mezcla de aire-combustible será demasiado pobre para funcionar a bajas altitudes. El funcionamiento a altitudes de menos de 610 metros con el carburador modificado puede causar sobrecalentamiento del motor y ocasionar serios daños en el motor. Para el funcionamiento a bajas altitudes, solicite a su concesionario de servicio que reajuste el carburador a las especificaciones originales de fábrica.

6. USO DEL GENERADOR

El generador produce suficiente energía eléctrica como para causar descargas eléctricas graves o electrocución si se utiliza indebidamente.

Asegúrese de poner a tierra el generador cuando el aparato conectado esté puesto a tierra.

Para poner a tierra el terminal del generador, emplee un conductor de cobre con un diámetro igual o superior al del cable del aparato conectado.

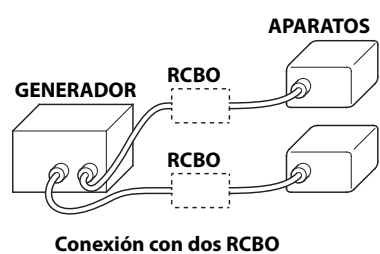
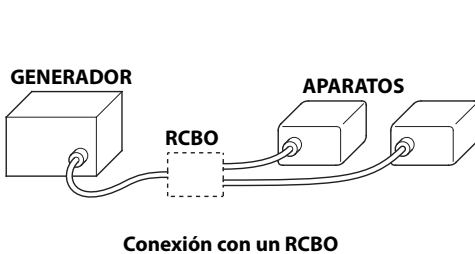


Emplee un cable de extensión provisto de conductor de tierra cuando conecte un aparato provisto de conductor de tierra.

Para identificar la patilla de tierra en la clavija, consulte RECEPTÁCULO en la página 52.

Conecte un RCBO (disyuntor de corriente residual con protección contra sobrecarga) de detección de fallos de tierra de 30 mA y corte de menos de 0,4 segundos a más de 30 A de corriente de salida, si está empleando dos o más aparatos.

Siga las instrucciones proporcionadas por el fabricante de cada RCBO antes de su empleo.



⚠ ADVERTENCIA

Las conexiones inadecuadas a la instalación eléctrica de un edificio pueden permitir que la corriente del generador se realimente a la red principal de suministro eléctrico.

Este tipo de realimentación puede electrocutar a los operarios de la compañía de electricidad o a otras personas que entren en contacto con las líneas de transmisión durante una suspensión del suministro, y el generador podría explotar, quemarse u ocasionar un incendio al restaurarse el suministro eléctrico.

Consulte a la compañía suministradora de electricidad o a un electricista cualificado antes de efectuar conexiones eléctricas.

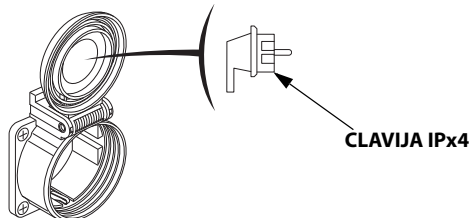
ATENCIÓN:

- No exceda el límite de corriente especificado para cualquier receptáculo.
- No modifique ni emplee el generador para otras aplicaciones que no sean las propias del aparato. Observe también lo siguiente cuando emplee el generador:
 - No conecte una extensión al tubo de escape.
 - Cuando se requiere un cable de extensión, asegúrese de emplear un cable flexible con forro de goma fuerte (IEC 245 o equivalente). Cuando se utiliza un cable de extensión, el valor de resistencia no debe sobrepasar de 1,5 Ω .
- Límite de longitud de los cables de extensión: 60 m para cables de 1,5 mm² y 100 m para cables de 2,5 mm². Los cables de extensión largos reducirán la energía utilizable debido a la resistencia del cable de extensión.
- Mantenga el generador apartado de otros cables eléctricos o cables como puedan ser de las líneas de alimentación comercial.

▲ ADVERTENCIA

Tipo GW1

Cuando se use una clavija acodada, use siempre una clavija tipo IPx4.

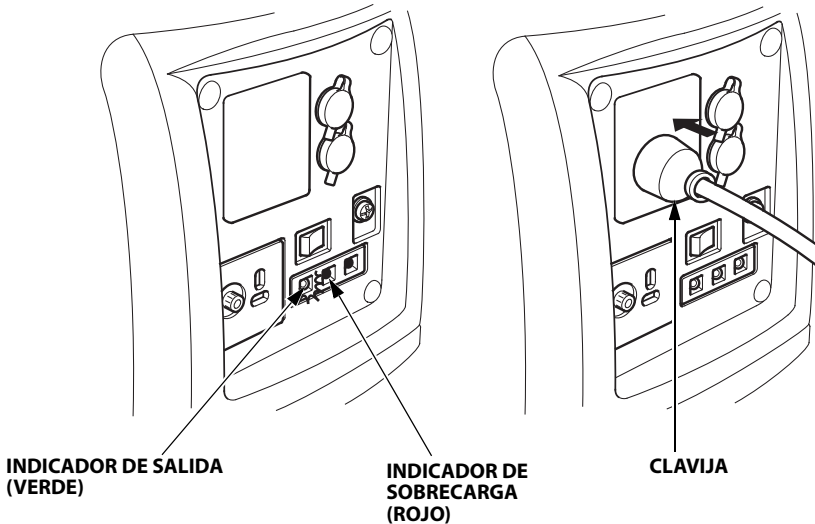


NOTA:

- La mayoría de los motores de los aparatos eléctricos necesitan más que la potencia nominal para ponerse en marcha. Asegúrese de que los valores eléctricos nominales de la herramienta o aparato no excedan los del generador.
 - La potencia máxima es de: 1,0 kVA
- Para la operación continua, no exceda la potencia nominal.
 - La potencia nominal es de: 0,9 kVA
- En cualquiera de los casos, deberá tenerse en cuenta la alimentación total (VA) de todos los aparatos conectados.
- El receptáculo de CC puede emplearse se emplea la alimentación de CA.
 - Si emplea ambos al mismo tiempo, no exceda la alimentación de CA máxima.
 - Alimentación de CA máxima: 0,8 kVA

Aplicaciones con CA

1. Ponga en marcha el motor y asegúrese de que se encienda el indicador verde de salida.
2. Confirme que el aparato a utilizarse esté desconectado, y enchufe el aparato.



ATENCIÓN:

- Las sobrecargas substanciales que hacen que se encienda continuamente el indicador de sobrecarga (rojo) pueden causar daños en el generador. Las sobrecargas marginales que hacen que se encienda temporalmente el indicador de sobrecarga (rojo) pueden acortar la vida útil de servicio del generador.
- Asegúrese de que todos los aparatos estén en buen estado de funcionamiento antes de conectarlos al generador. El equipo eléctrico (incluyendo los cables y las conexiones de las clavijas) no deberán estar en estado defectuoso. Si un aparato empieza a funcionar anormalmente, de forma irregular o si se para súbitamente, desconecte inmediatamente el interruptor del motor del generador. Luego, desconecte el aparato y mire si hay alguna señal de mal funcionamiento.

Indicadores de salida y de sobrecarga

El indicador de salida (verde) quedará encendido durante las condiciones normales de operación.

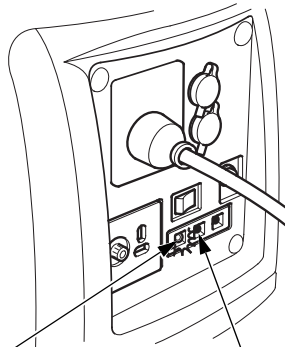
Además, el indicador de salida tiene la función de contador de horas simplificado. Al arrancar el motor, el indicador parpadea de acuerdo con las horas acumuladas de funcionamiento del generador de la forma siguiente:

- Ningún parpadeo: 0-100 horas
- 1 parpadeo: 100-200 horas
- 2 parpadeos: 200-300 horas
- 3 parpadeos: 300-400 horas
- 4 parpadeos: 400-500 horas
- 5 parpadeos: 500 horas o más

Si se sobrecarga el generador (excediendo de 1,0 kVA), o si se produce un cortocircuito en el aparato conectado, se apagará el indicador de salida (verde), se encenderá el indicador de sobrecarga (rojo) y se cortará la corriente al aparato conectado.

Pare el motor si se enciende el indicador de sobrecarga (rojo) y busque el origen de la sobrecarga.

- Antes de conectar un aparato al generador, compruebe que esté en buen estado de operación, y que sus valores eléctricos no excedan los del generador. Entonces, conecte el cable de alimentación del aparato y ponga en marcha el motor.



INDICADOR DE SALIDA (VERDE)

INDICADOR DE SOBRECARGA (ROJO)

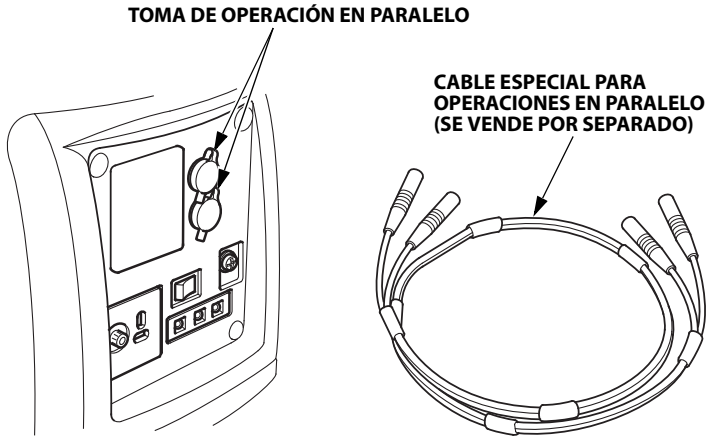
NOTA:

Cuando se ponga en marcha un motor eléctrico, es posible que se enciendan simultáneamente el indicador de sobrecarga (rojo) y el indicador de salida (verde). Esto es normal si el indicador de sobrecarga (rojo) se apaga después de unos 4 segundos. Si el indicador de sobrecarga (rojo) queda encendido, consulte a su concesionario de generadores.

Operación en paralelo

Lea el capítulo "EMPLEO DEL GENERADOR" antes de conectar cualquier equipo que vaya a utilizarse.

Para la operación en paralelo emplee solamente un cable especial (vendido por separado).



La mayoría de los motores de los aparatos eléctricos necesitan más que la potencia nominal para ponerse en marcha. Asegúrese de que los valores eléctricos nominales de la herramienta o aparato no excedan los del generador.

La potencia máxima de operación en paralelo es: 2,0 kVA

Para la operación continua, no exceda la potencia nominal.

La potencia nominal de operación en paralelo es: 1,8 kVA

En cualquiera de los casos, deberá tenerse en cuenta la alimentación total (VA) de todos los aparatos conectados.

ATENCIÓN:

Las sobrecargas substanciales que hacen que se encienda continuamente el indicador de sobrecarga (rojo) pueden causar daños en el generador. Las sobrecargas marginales que hacen que se encienda temporalmente el indicador de sobrecarga (rojo) pueden acortar la vida útil de servicio del generador.

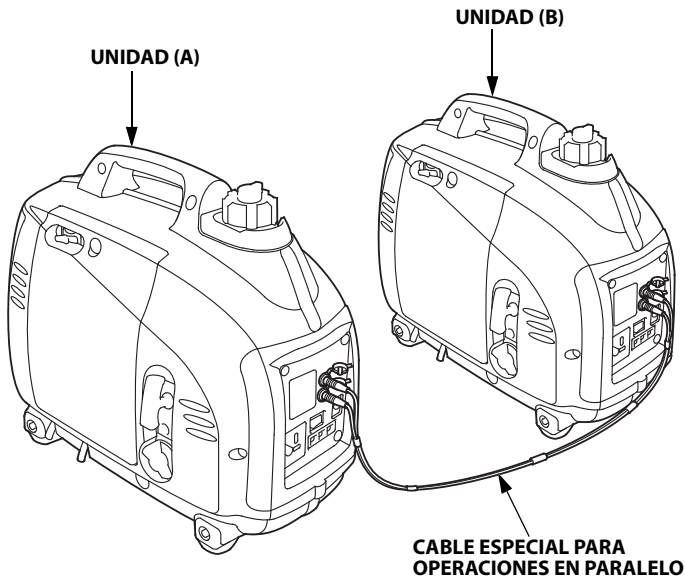
▲ ADVERTENCIA

- **No conecte nunca generadores de modelos y tipos distintos.**
- **No conecte nunca un cable que no sea el cable especial para la operación en paralelo.**
- **Conecte y extraiga el cable especial para la operación en paralelo con el motor parado.**
- **Para la operación sencilla, deberá extraerse el cable especial para la operación en paralelo.**

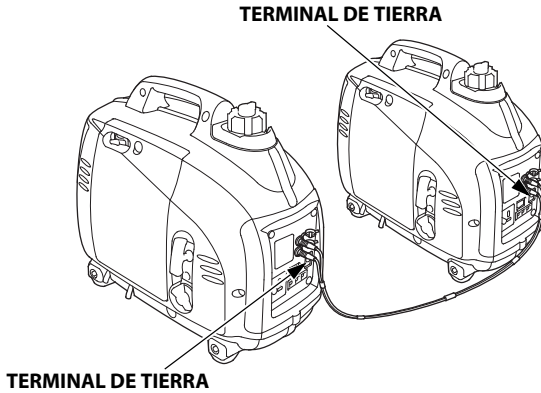
NOTA:

- Dependiendo del equipo que se proponga utilizar, puede ocurrir una sobrecarga, puede encenderse el indicador de sobrecarga (rojo), y puede resultar imposible producir más energía eléctrica.
- Los motores normalmente requieren dos o tres veces su consumo de energía para su puesta en marcha.

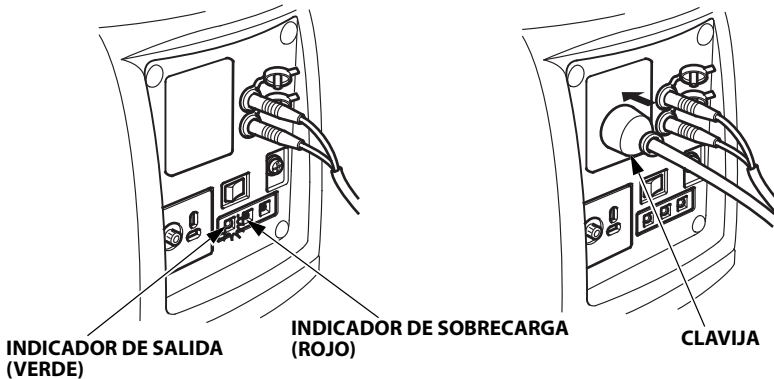
1. Conecte el cable especial para la operación en paralelo a los dos generadores.



2. Asegúrese de realizar la puesta a tierra del generador siempre que se ponga a tierra el equipo conectado.



3. Ponga en marcha el motor según lo indicado en el capítulo "ARRANQUE DEL MOTOR".
- Cuando no se encienda el indicador de salida (verde) y se encienda en su lugar el indicador de sobrecarga (rojo), ponga el interruptor del motor en la posición OFF, pare una vez el motor, y luego vuelva a ponerlo en marcha.
4. Confirme que el equipo a utilizarse esté desconectado, e inserte la clavija del equipo a utilizarse en el receptáculo de CA de la unidad (A) o de la unidad (B).

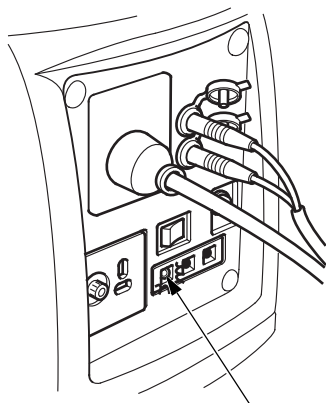


ATENCIÓN:

Confirme que el equipo a conectarse tenga la alimentación desconectada. Cuando el equipo a utilizarse tiene la alimentación conectada, se pondrá en funcionamiento súbitamente, y puede ocasionar heridas o accidentes.

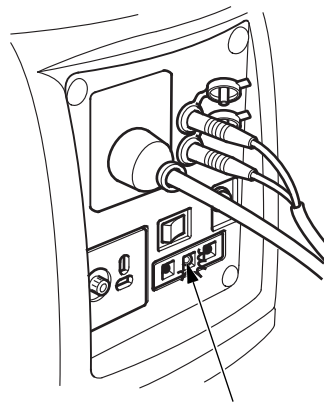
-
5. Conecte la alimentación del equipo que se vaya a utilizar.
Se encenderá el indicador de salida (verde).

En caso de operación normal



INDICADOR DE SALIDA (VERDE)

En caso de operación sobrecargado o en cortocircuito



INDICADOR DE SOBRECARGA (ROJO)

- En caso de operación con sobrecarga (consulte la página 29) o cuando ocurra algún problema con el equipo utilizado, se apagará el indicador de salida (verde), quedará encendido el indicador de sobrecarga (rojo), y no saldrá alimentación eléctrica. Entonces, el motor no se parará, por lo que deberá pararse poniendo del interruptor del motor respectivo en la posición OFF.

NOTA:

- Cuando se utilice un equipo que requiere mucha energía para ponerse en funcionamiento, como pueda ser un motor, etc., el indicador de sobrecarga (rojo) y el indicador de salida (verde) pueden encenderse al mismo tiempo durante un corto intervalo de tiempo (unos 4 segundos), pero no se trata de ninguna anomalía. Después de haber puesto en funcionamiento el equipo, se apagará el indicador de sobrecarga (rojo) y el indicador de salida (verde) quedará encendido.
 - Cuando deba pararse la operación de un generador después de haber puesto en funcionamiento el equipo, deberá extraerse también al mismo tiempo el cable especial para operación en paralelo.
6. Cuando deba tomarse de nuevo la energía eléctrica desde el generador, desconecte la alimentación del equipo a utilizarse y extraiga la clavija del receptáculo de CA. Confirme que el equipo y la conexión sean normales y que no se tome demasiada energía, y entonces arranque el motor.

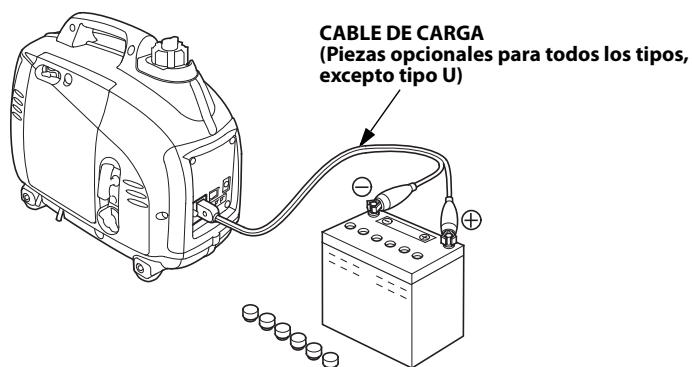
Aplicación de CC

El receptáculo de CC puede utilizarse para cargar sólo baterías del tipo de automóvil de 12 voltios.

NOTA:

En operación de CC, gire el interruptor del acelerador Eco a la posición OFF.

1. Conecte los cables de carga al receptáculo de CC del generador y luego a los terminales de la batería.



⚠ ADVERTENCIA

- Para evitar la posibilidad de crear chispas cerca de la batería, conecte el cable de carga primero al generador, y luego a la batería. Desconecte primero el cable en la batería.
- Antes de conectar el cable de carga a una batería que esté instalada en un vehículo, desconecte el cable de la batería del vehículo. Después de haber quitado los cables de carga, vuelva a conectar el cable de la batería del vehículo. Siguiendo este procedimiento se evitará la posibilidad de que se produzca un cortocircuito o chispas en caso de hacerse contacto accidentalmente entre un terminal de batería y el bastidor o carrocería del vehículo.

ATENCIÓN:

- No intente arrancar un automóvil con el generador todavía conectado a la batería. Podría dañarse el generador.
- Conecte el terminal positivo de batería al cable de carga positivo. No invierta los cables de carga, ya que se podrían producir serios daños en el generador y/o la batería.

▲ ADVERTENCIA

- Las baterías producen gases explosivos. Si se inflaman, la explosión puede causar graves daños personales o ceguera. Proporcione una ventilación apropiada cuando efectúe la carga.
- **PELIGRO DE AGENTES QUÍMICOS:** El electrólito de la batería contiene ácido sulfúrico. El contacto con los ojos o la piel, incluso a través de la ropa, puede causar quemaduras graves. Utilice una pantalla para la cara y póngase ropa de protección.
- Mantenga las llamas y chispas alejadas, y no fume en el área. **ANTÍDOTO:** Si le ha entrado electrólito en los ojos, lávese con agua tibia durante 15 minutos por lo menos, y luego vaya inmediatamente al médico.
- **VENENO:** El electrólito es venenoso.

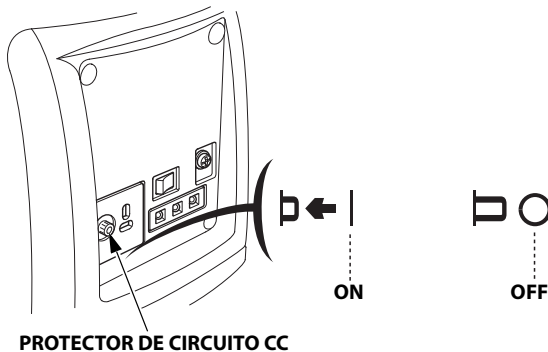
ANTÍDOTO

- Externo: Lave a fondo con agua.
 - Interno: Beber grandes cantidades de agua o leche.
Continuar con leche de magnesia o aceite vegetal y acudir de inmediato a consulta médica.
- **MANTENER ALEJADO DEL ALCANCE DE LOS NIÑOS.**

2. Arranque el motor.

NOTA:

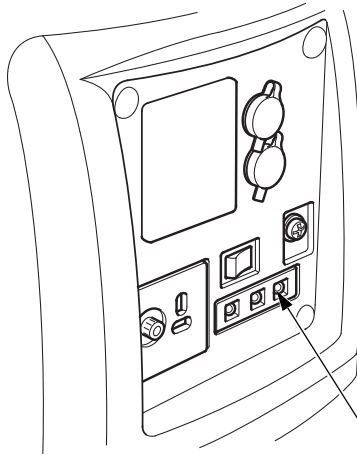
- El receptáculo de CC puede emplearse se emplea la alimentación de CA.
- Un circuito de CC sobrecargado disparará el protector del circuito de CC (el botón pulsador sale hacia fuera).
Si así sucede, esperar algunos minutos antes de presionar el protector del circuito para reanudar la operación.



Sistema de alerta del aceite

El sistema de aviso del aceite está diseñado para evitar daños en el motor causados por una cantidad insuficiente de aceite en el cárter. Antes de que el nivel del aceite que hay en el cárter caiga por debajo de un límite de seguridad, el sistema de alerta de aceite Oil Alert para automáticamente el motor (el interruptor del motor queda en la posición ON).

Si el sistema de alerta de aceite para el motor, se encenderá la luz del indicador de alerta de aceite (rojo) cuando usted opere el motor de arranque, y el motor no se pondrá en marcha. Si éste es el caso, compruebe el nivel del aceite de motor (vea la página 17).



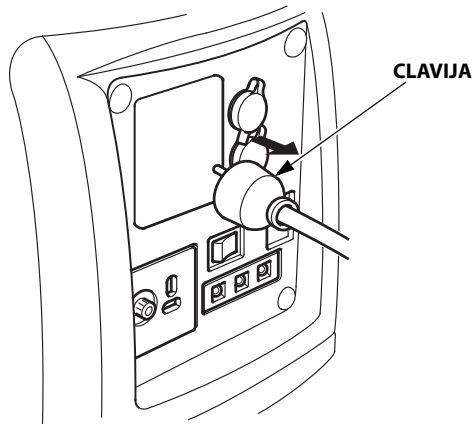
INDICADOR DE AVISO DE ACEITE (ROJO)

7. PARADA DEL MOTOR

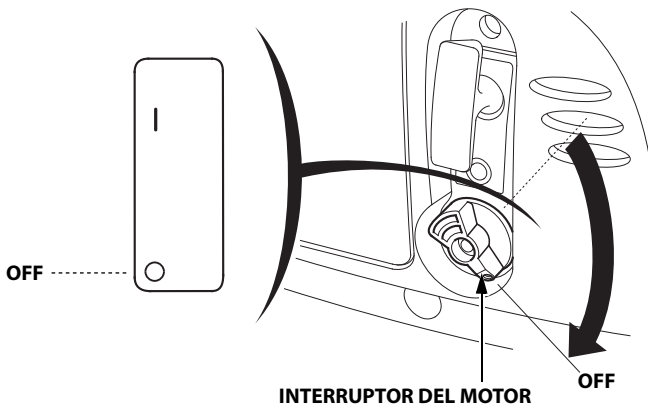
Para parar el motor en caso de emergencia, ponga el interruptor del motor en la posición OFF.

EN EMPLEO NORMAL:

1. Apague o desconecte todos los aparatos conectados al generador.

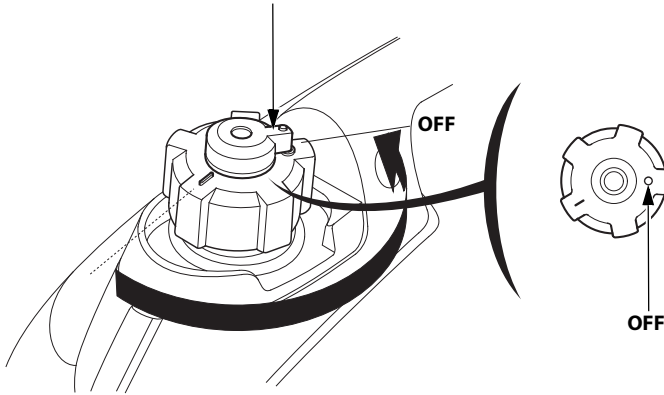


2. Desconecte el interruptor del motor (OFF).



- Espera a que se haya enfriado el motor y gire la palanca de ventilación del tapón de llenado de combustible a la posición OFF.

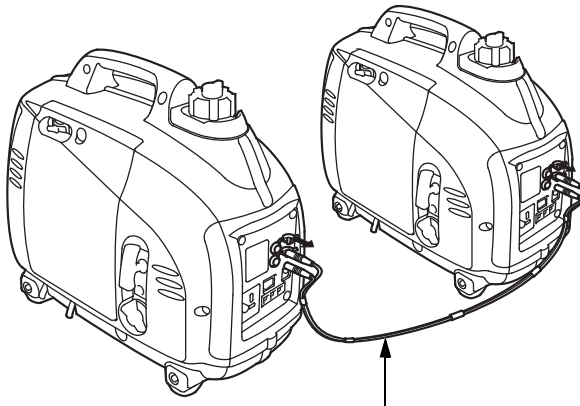
PALANCA DE VENTILACIÓN DEL TAPÓN DE LLENADO DE COMBUSTIBLE



ATENCIÓN:

Asegúrese de que la palanca de ventilación del tapón de llenado de combustible y el interruptor del motor estén en la posición OFF cuando pare, transporte y/o guarde el generador.

- Si se conectan dos generadores para operar en paralelo, desconecte el cable de operación en paralelo después de parar los motores.



CABLE ESPECIAL PARA OPERACIÓN EN PARALELO

8. MANTENIMIENTO

El propósito del programa de mantenimiento y de ajuste es el conservar el generador en el mejor estado de funcionamiento.
Inspeccione o realice el servicio según está programado en la tabla siguiente.

▲ ADVERTENCIA

Asegúrese de que el motor esté desconectado antes de comenzar cualquier trabajo de mantenimiento o de reparación. De este modo eliminará muchos peligros potenciales:

- **Envenenamiento por monóxido de carbono de los gases de escape del motor. Asegúrese de que haya una ventilación adecuada siempre que tenga el motor en marcha.**
- **Quemaduras en las partes calientes. Espere a que se enfríen el motor y el sistema de escape antes de tocarlos.**
- **Daños debidos a las piezas en movimiento. No ponga en marcha el motor a menos que se lo indiquen las instrucciones.**

El silenciador se calienta mucho durante la operación, y sigue caliente durante cierto tiempo después de haber parado el motor. Tenga cuidado y no toque el silenciador mientras esté caliente. Deje que se enfríe el motor antes realizar el mantenimiento.

ATENCIÓN:

Emplee piezas originales Honda Genuine o sus equivalentes. El empleo de piezas de recambio que no son de calidad equivalente puede causar daños en el generador.

Programa de mantenimiento

PERIODO REGULAR DE MANTENIMIENTO (1) Realizar a cada intervalo mensual o de horas de funcionamiento.		Cada uso	Primer mes o 10 horas	Cada 3 meses o 50 horas	Cada 6 meses o 100 horas	Cada 2 años o 300 horas	Página
Elemento							
Aceite del motor	Comprobar nivel	o					16
	Cambiar		o		o		40
Filtro de aire	Comprobar	o					20
	Limpiar			o (2)			41
Bujía de encendido	Comprobar-ajustar				o		42
	Cambiar					o	
Ajuste de válvula	Comprobar-ajustar					o (3)	-
Cámara de combustión	Limpiar	Cada 300 horas (3)					-
Depósito y filtro de combustible	Limpiar	Cada año (3)					-
Tubo de combustible	Comprobar	Cada 2 años (cambiar en caso necesario) (3)					-

- NOTA:**
- (1) Para aplicaciones comerciales, registre las horas de operación para poder determinar los intervalos adecuados de mantenimiento.
 - (2) Realice el servicio con más frecuencia cuando lo utilice en zonas polvorientas.
 - (3) El servicio de estas partes deberá realizarlo su concesionario de servicio, a menos que usted disponga de las herramientas adecuadas y posea suficientes conocimientos mecánicos. Para ver los procedimientos de servicio, consulte el manual de taller Honda.

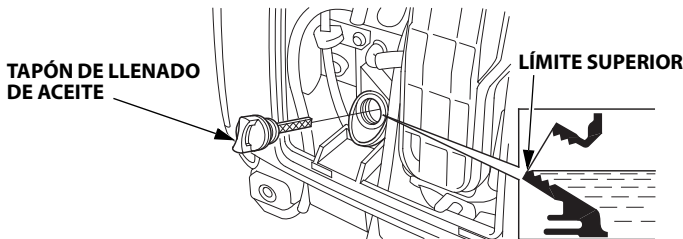
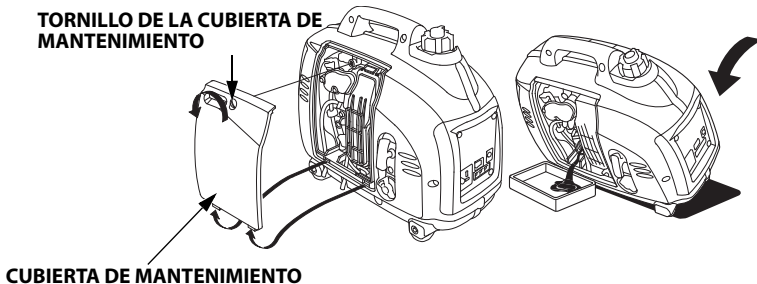
1. CAMBIO DEL ACEITE

Drene el aceite mientras el motor esté todavía caliente para asegurar un drenaje rápido y completo.

ATENCIÓN:

Asegúrese de girar el interruptor del motor y la palanca de ventilación del tapón de llenado de combustible a la posición OFF antes de efectuar el drenaje.

1. Afloje el tornillo de la cubierta de mantenimiento y extraiga la cubierta de mantenimiento.
2. Extraiga la tapa de relleno de aceite.
3. Drene el aceite sucio por completo en un recipiente adecuado.
4. Rellene con aceite recomendado (vea la página 16) y compruebe el nivel.
CAPACIDAD PARA ACEITE DEL MOTOR: 0,25 l
5. Frote con un paño para quitar todo el aceite derramado del generador.
6. Instale de nuevo la tapa de relleno de aceite con seguridad.
7. Vuelva a instalar la cubierta de mantenimiento y apriete con seguridad el tornillo de la cubierta de mantenimiento.



Lávese las manos con agua y jabón después de haber manipulado aceite usado.

NOTA:

Tire el aceite de motor usado de forma que sea compatible con el medio ambiente. Le sugerimos que lo guarde en un recipiente sellado y lo lleve a la estación de servicio para reclamación. No lo tire a la basura ni al suelo.

2. MANTENIMIENTO DEL FILTRO DE AIRE

Un filtro de aire sucio restringirá el flujo de aire al carburador. Para evitar fallas en el funcionamiento, efectúe frecuentemente el servicio del filtro de aire. Efectúe el servicio con más frecuencia cuando el generador funcione en lugares extremadamente polvorientos.

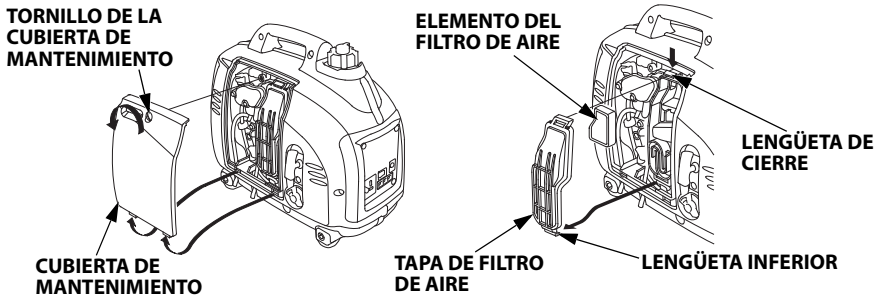
⚠ ADVERTENCIA

Para la limpieza, no use gasolina ni disolventes de baja temperatura inflamación. Bajo ciertas condiciones, son inflamables y explosivos.

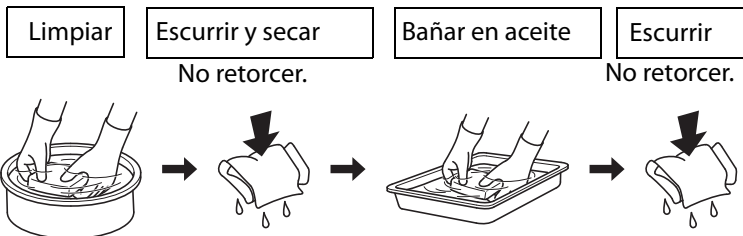
ATENCIÓN:

No hacer funcionar nunca el generador sin el filtro de aire. El motor se podría desgastar con rapidez.

1. Afloje el tornillo de la cubierta de mantenimiento y extraiga la cubierta de mantenimiento.
2. Presione la lengüeta de cierre de la parte superior del cuerpo del filtro de aire, extraiga la cubierta del filtro de aire.



3. Limpie en agua tibia con jabón, enjuague y deje que se seque por completo, o limpie en solvente de alto punto de inflamación y deje secar. Sumergir el elemento en aceite limpio del motor y exprimirlo para eliminar el exceso. El motor producirá humo durante el arranque inicial si se deja demasiado aceite en el elemento de espuma.



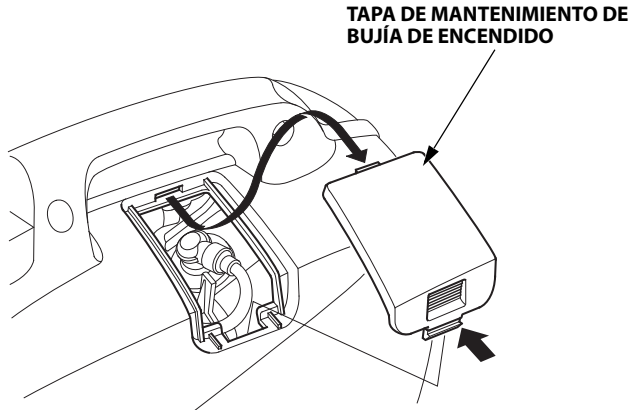
4. Vuelva a instalar el elemento elemento del filtro de aire.
5. Vuelva a instalar la cubierta del filtro de aire insertando la lengüeta inferior y la lengüeta de cierre.
6. Vuelva a instalar la cubierta de mantenimiento y apriete con seguridad el tornillo de la cubierta de mantenimiento.

3. MANTENIMIENTO DE LA BUJÍA DE ENCENDIDO

BUJÍA DE ENCENDIDO RECOMENDADA: LR4C-E (NGK)

Para asegurar un buen funcionamiento del motor, la bujía deberá estar bien puesta y limpia.

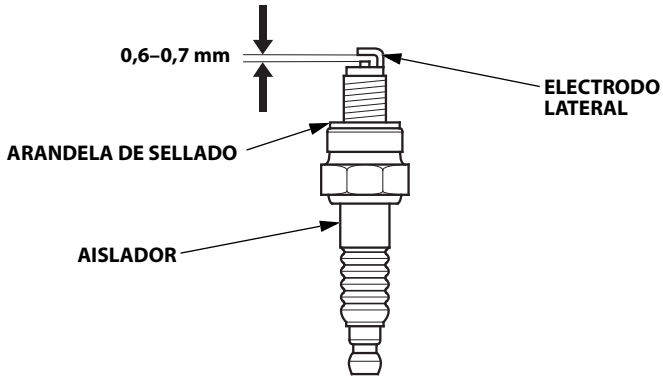
1. Extraiga la cubierta de mantenimiento de la bujía.



2. Extraer el sombrerete de la bujía.
3. Limpiar la suciedad en torno a la base de la bujía.
4. Emplee una llave de bujías para extraer la bujía.



5. Inspeccione visualmente la bujía. Tírela si el aislador está agrietado, partido, o muy sucio. Limpie la bujía con un cepillo de alambre si debe volver a utilizarla.
6. Mida la separación entre los electrodos con una galga de espesores. Corrija si es necesario doblando el electrodo lateral con cuidado. La separación entre los electrodos deberá ser:
0,6–0,7 mm



7. Inserte la bujía a la mano con cuidado, evitando cruzar las roscas.
8. Después de haber asentado la bujía nueva con la mano, deberá apretarla 1/2 vuelta con una llave para comprimir la arandela de sellado. Si reinstala una bujía usada, sólo será necesario apretarla de 1/8 a 1/4 de vuelta después de haberla asentado.

PAR DE TORSIÓN: 12 N·m

9. Vuelva a instalar la tapa de la bujía con seguridad en la bujía.
10. Vuelva a instalar la cubierta de mantenimiento de la bujía.

ATENCIÓN:

- **La bujía deberá apretarse bien. Si no se aprieta bien se puede calentar mucho y puede dañar el generador.**
- **No utilizar jamás bujías de un valor térmico inadecuado.**

9. TRANSPORTE/ALMACENAJE

Para evitar que se salga el combustible cuando transporte la unidad o cuando la tenga almacenada, el generador deberá asegurarse recto en su posición normal de operación, con el interruptor del motor en la posición OFF.

La palanca de ventilación del tapón de llenado de combustible completamente girada hacia la izquierda a la posición OFF.

Espera a que se haya enfriado bien el motor antes de girar la palanca de ventilación del tapón de llenado de combustible a la posición OFF.

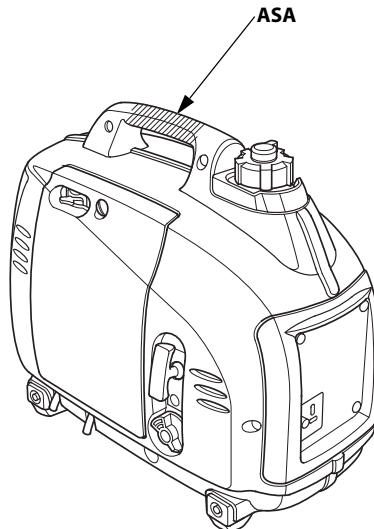
▲ ADVERTENCIA

Cuando transporte el generador:

- **No llene excesivamente el depósito (no debe haber combustible en el cuello de relleno).**
- **No ponga en funcionamiento el generador mientras esté en un vehículo. Baje el generador del vehículo y empléelo en un lugar bien ventilado.**
- **Evite los lugares expuestos a la luz directa del sol cuando ponga el generador en un vehículo. Si se deja el generador en un vehículo cerrado durante muchas horas, la alta temperatura del interior del vehículo puede causar la evaporación del combustible pudiéndose producir una explosión.**
- **No circule por carreteras en mal estado durante períodos prolongados con el generador cargado en el vehículo. Si debe transportar el generador por carreteras en mal estado, drene el combustible del generador de antemano.**

NOTA:

Para transportar el generador, sujételo por la parte de sujeción (las áreas sombreadas en la figura de abajo).



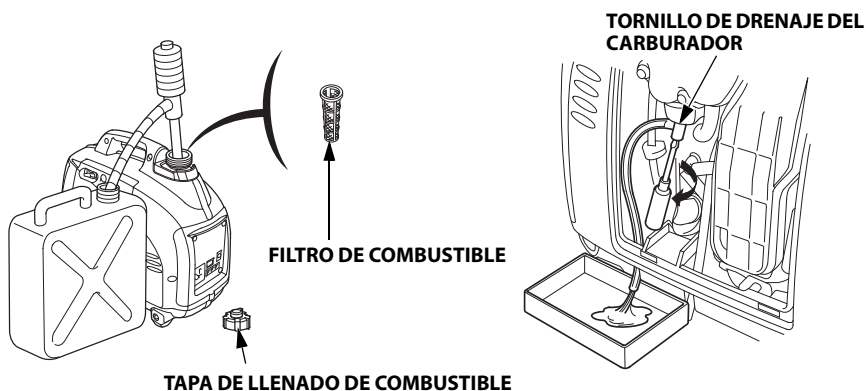
Antes de almacenar el aparato durante periodos prolongados:

1. Asegúrese de que el lugar esté exento de humedad y polvo excesivos.
2. Drene el combustible.

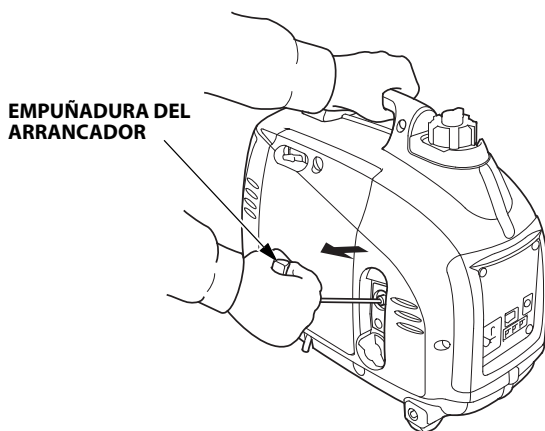
▲ ADVERTENCIA

La gasolina es muy inflamable y explosiva bajo ciertas condiciones. Efectúe este trabajo en un lugar bien ventilado con el motor parado. No fume ni permita que haya fuego n chispas en el lugar durante este procedimiento.

- a. Drene el aceite del depósito de combustible en un recipiente homologado para gasolina. Le recomendamos emplear una bomba manual de gasolina, de venta en los establecimientos del ramo. No emplee una bomba eléctrica. Vuelva a instalar el filtro de combustible y la tapa de relleno de combustible.
- b. Afloje el tornillo de la cubierta de mantenimiento y extraiga la cubierta de mantenimiento (vea la página 40).
- c. Afloje el tornillo de drenaje del carburador y drene la gasolina del carburador en un recipiente adecuado.
- d. Extraiga la cubierta de mantenimiento de la bujía y el capuchón de la bujía (vea la página 42).
- e. Gire el interruptor del motor a la posición ON (vea la página 21).
- f. Tire de la empuñadura del motor de arranque (vea la página 22) 3 ó 4 veces para drenar la gasolina de la bomba de combustible a un contenedor adecuado.
- g. Desconecte el interruptor del motor (OFF).
- h. Apriete el tornillo de drenaje del carburador.

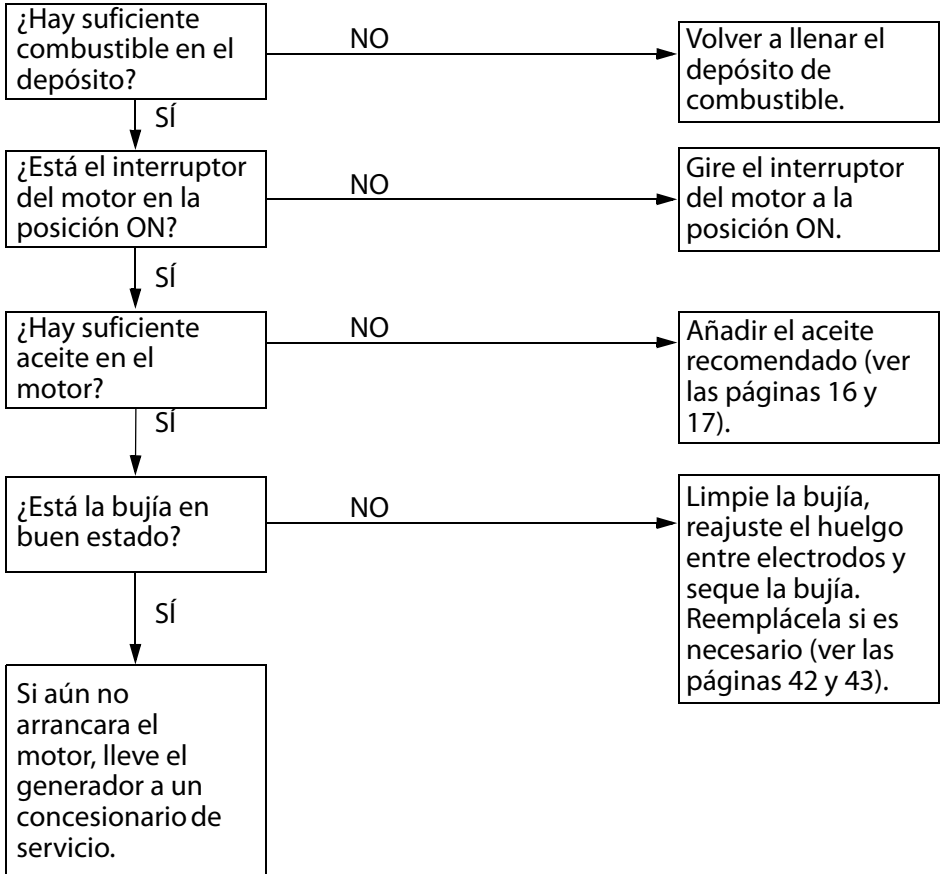


-
3. Cambie el aceite de motor (vea la página 40).
 4. Quitar la bujía y verter una cucharada aproximadamente de aceite de motor limpio en el cilindro. Girar el motor varias veces para distribuir el aceite y volver a instalar la bujía.
 5. Vuelva a instalar con seguridad la cubierta de mantenimiento de la bujía y el capuchón de la bujía.
 6. Vuelva a instalar la cubierta de mantenimiento y apriete con seguridad el tornillo de la cubierta de mantenimiento.
 7. Tire lentamente del asidero del arrancador hasta que se note cierta resistencia. En ese punto, el pistón está llegando a su carrera de compresión y las válvulas de admisión y escape se encuentran cerradas. Guardando el motor en esa posición ayudará a protegerlo contra la corrosión interna.

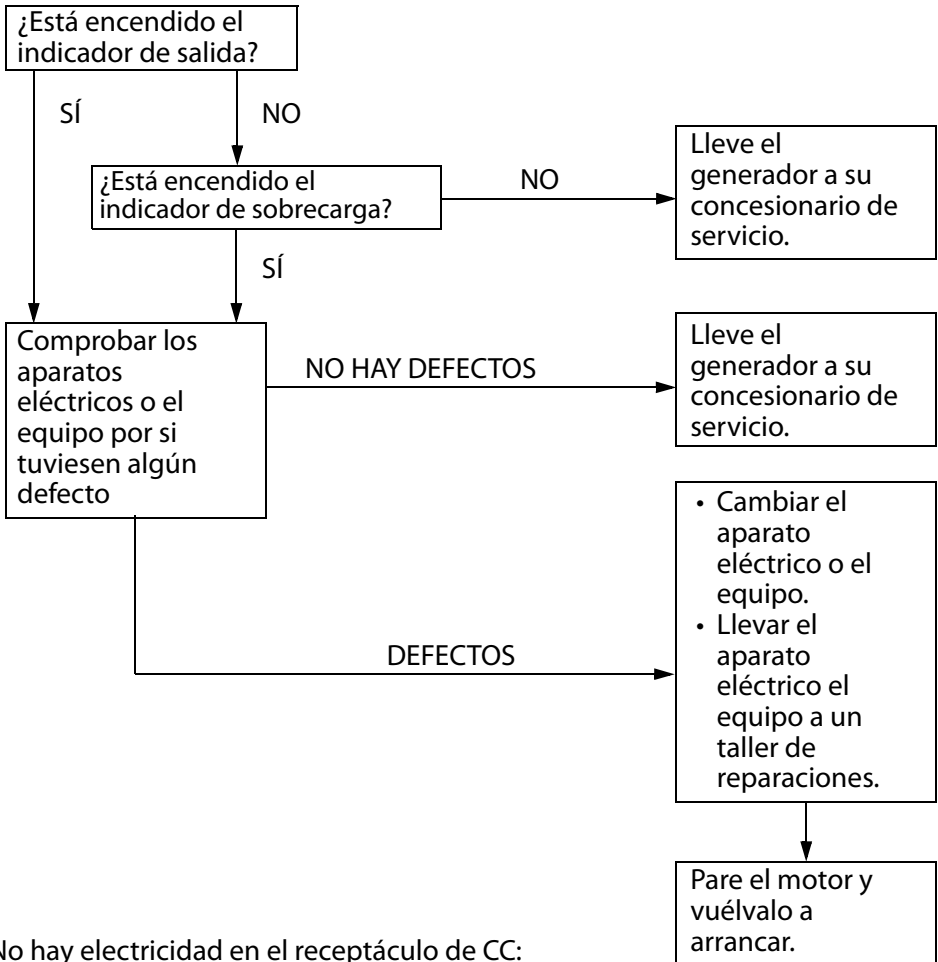


10. RESOLUCIÓN DE PROBLEMAS

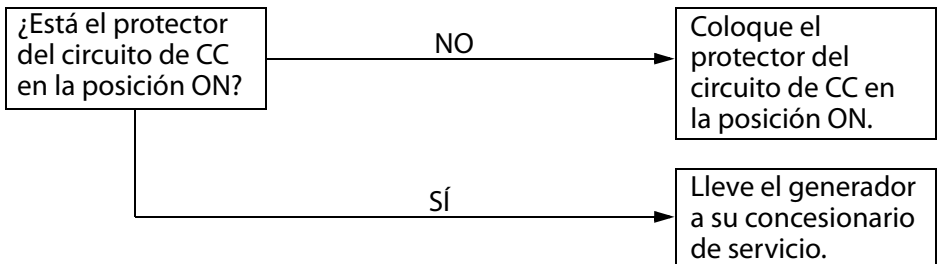
Cuando el motor no arranque:



El aparato no funciona:



No hay electricidad en el receptáculo de CC:



11. ESPECIFICACIONES

Dimensiones y peso

Modelo	EU10iT1	
Tipo	G, B, F, W, CL, U	GW1
Código de descripción	EAAT	
Longitud	451 mm	456 mm
Anchura	242 mm	
Altura	379 mm	
Peso en seco	13 kg	

Motor

Modelo	GXH50T	
Tipo de motor	4 tiempos, monocilíndrico, válvulas en culata	
Cilindrada	49,4 cm ³	
Diámetro × carrera	41,8×36,0 mm	
Relación de compresión	8.0:1	
Régimen del motor	4.000-6.000 min ⁻¹ 5.500-6.000 min ⁻¹ (con acelerador Eco en OFF)	
Sistema de refrigeración	Ventilación forzada de aire	
Sistema de encendido	Transistor completo	
Capacidad de aceite del motor	0,25 l	
Capacidad del depósito de combustible	2,1 l	
Bujía de encendido	LR4C-E (NGK)	

[Emisiones de dióxido de carbono (CO₂)*]

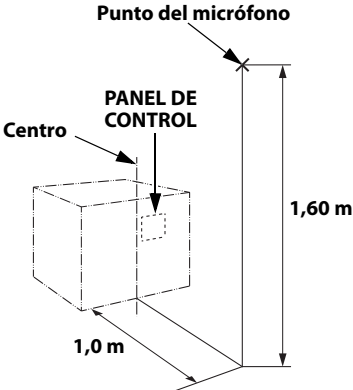
Consulte "Lista de información sobre CO₂" en www.honda-engines-eu.com/co2

* La medición del CO₂ es el resultado de probar en condiciones de laboratorio a lo largo de un ciclo de ensayos fijos un motor (de origen) representativo del tipo de motor (familia de motores), sin que ello constituya garantía implícita o expresa del rendimiento de un motor en particular.

Generador

Modelo	EU10iT1		
Tipo	G, GW1, B, F, W, CL	U	
CA salida	Tensión nominal	230 V	240 V
	Frecuencia nominal	50 Hz	50 Hz
	Corriente nominal	3,9 A	3,8 A
	Potencia nominal	0,9 kVA	
	Potencia máx.	1,0 kVA	
Salida nominal de CC	Sólo para cargar baterías de automóvil de 12 V. 12 V, 8 A		

Ruido

Modelo	EU10iT1	
Tipo	G, GW1, B, F, W, CL	U
Nivel de presión sonora en la estación de trabajo (2006/42/CE)	67 dB (A)* (con el acelerador Eco activado)	–
 <p>Punto del micrófono</p> <p>PANEL DE CONTROL</p> <p>Centro</p> <p>1,60 m</p> <p>1,0 m</p>		
Incertidumbre	–	–
Medición del nivel de potencia del ruido (2000/14/CE, 2005/88/CE)	84 dB (A) (con el acelerador Eco activado)	–
Incertidumbre	3 dB (A)	–
Nivel de potencia sonora garantizada (2000/14/CE, 2005/88/CE)	87 dB (A) (con el acelerador Eco activado)	–

* No superior a 70 dB (A)

"los valores indicados son los niveles de emisiones y no son necesariamente niveles para trabajar con seguridad. Aunque existe cierta relación entre los niveles de las emisiones y los de exposición a los mismos, no pueden utilizarse de forma segura para determinar si deben tomarse precauciones adicionales. Los factores que afectan el nivel real de exposición de los trabajadores incluyen las características del local de trabajo, las otras fuentes de ruido, etc., como por ejemplo el número de máquinas y demás procesos adyacentes, y la duración durante la que un operario está expuesto al ruido. Además el nivel de exposición permisible puede variar según el país. No obstante, esta información permitirá al usuario de la máquina efectuar una mejor evaluación del peligro y del riesgo".

NOTA:

Las especificaciones están sujetas a cambios sin previo aviso.

12. DIAGRAMA DE CONEXIONES

ÍNDICE

(Vea en el interior de la cubierta posterior)

Tipos G, GW1, B, F, W, CL.....	W-1
Tipo U.....	W-2

ABREVIATURAS

Símbolo	Designación
ACOR	Receptáculo de salida de CA
B	Tipo B
CL	Tipo CL
COT	Toma compuesta
CPB	Bloque de panel de control
DC, D	Diodo de CC
DCOR	Receptáculo de salida de CC
DC, W	Devanado de CC
EcoSw	Interruptor de acelerador Eco
EgB	Bloque del motor
EgG	Tierra del motor
Esw	Interruptor del motor
ExW	Devanado del excitador
F	Tipo F
FrB	Bloque del bastidor
FrG	Bastidor de masa
GeB	Bloque del generador
G, GW1	Tipos G, GW1
GT	Terminal de tierra
IB	Bloque del variador
IgC	Bobina de encendido
IU	Variador
MW	Devanado principal
OAL	Indicador de aviso del aceite
OI	Indicador de sobrecarga
OLSw	Interruptor de nivel de aceite
PC	Bobina del generador de impulsos
PL	Indicador de salida
SP	Bujía de encendido
SpU	Parachispas
StpM	Motor eléctrico de paso a paso
SW	Subdevanado
W	Tipo W

CÓDIGO DE COLORES DE CABLES

Bl	NEGRO
Y	AMARILLO
Bu	AZUL
G	VERDE
R	ROJO
W	BLANCO
Br	MARRÓN
Lg	VERDE CLARO
Gr	GRIS
Sb	AZUL CIELO
O	NARANJA
P	ROSA

CONEXIONES DE INTERRUPTORES

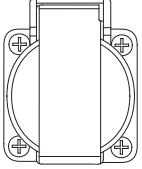

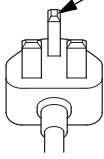
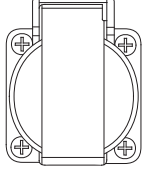

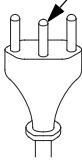
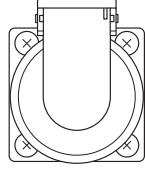

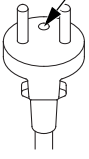
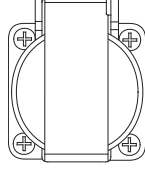

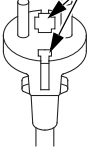
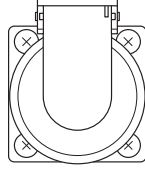
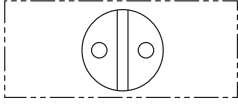
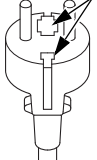
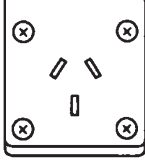

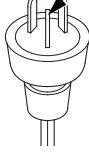
INTERRUPTOR DEL MOTOR

	G	Bl
OFF	○	○
ON		

INTERRUPTOR DE ACCELERADOR ECO

	R/W	R/Y
ENCE		
NDID		
○		
OFF	○	○

RECEPTÁCULO

Tipo	Forma		Clavija
B			<p>PATILLA DE TIERRA</p> 
W			<p>PATILLA DE TIERRA</p> 
F			<p>PATILLA DE TIERRA</p> 
G, CL			<p>PATILLA DE TIERRA</p> 
GW1			<p>PATILLA DE TIERRA</p> 
U			<p>PATILLA DE TIERRA</p> 

Honda EU10i

MANUALE DELL'UTENTE
Traduzione delle istruzioni originali



La ringraziamo per aver acquistato un generatore Honda.

Il presente manuale descrive le procedure d'uso e manutenzione del generatore EU10i.

Tutte le informazioni contenute in questa pubblicazione si basano sulle più recenti informazioni sul prodotto disponibili al momento della stampa.

Honda Motor Co., Ltd. si riserva il diritto di apportare modifiche in qualunque momento senza preavviso e senza incorrere in alcun obbligo.

Nessuna parte di questa pubblicazione può essere riprodotta senza autorizzazione scritta.

Questo manuale va considerato come parte integrante del generatore e dovrà quindi accompagnare il prodotto anche in caso di rivendita.

Prestare particolare attenzione alle indicazioni precedute dalle seguenti parole:

⚠ AVVERTENZA Indica una forte possibilità di gravi lesioni personali o di morte nel caso in cui non ci si attenga alle istruzioni.

ATTENZIONE: indica la possibilità di lesioni personali o alle attrezzature nel caso in cui non ci si attenga alle istruzioni.

NOTA: Fornisce informazioni utili.

In caso di problemi o domande concernenti il generatore, rivolgersi a un concessionario autorizzato Honda.

⚠ AVVERTENZA

Il generatore Honda è progettato per garantire un funzionamento sicuro e affidabile se utilizzato secondo le istruzioni. Leggere attentamente il Manuale dell'utente prima di azionare il generatore. In caso contrario potrebbero verificarsi lesioni personali o danni alle attrezzature.

Le illustrazioni possono variare a seconda del modello.

ÍNDICE

1. NORME DI SICUREZZA.....	3
2. POSIZIONE DELLE ETICHETTE DI SICUREZZA.....	7
• Posizione marchio CE ed etichetta del livello acustico	11
3. IDENTIFICAZIONE COMPONENTI	12
4. CONTROLLI PRELIMINARI.....	16
5. AVVIAMENTO DEL MOTORE.....	21
• Modifica del carburatore per il funzionamento ad altitudini elevate	24
6. USO DEL GENERATORE	25
7. ARRESTO DEL MOTORE.....	37
8. MANUTENZIONE	39
9. TRASPORTO/STOCCAGGIO	44
10. RICERCA GUASTI.....	47
11. SPECIFICHE	49
12. SCHEMA ELETTRICO	51
PRESA.....	52
INDIRIZZI DEI PRINCIPALI DISTRIBUTORI Honda	Fine manuale
DESCRIZIONE DEL CONTENUTO DELLA “Dichiarazione CE di conformità”	Fine manuale

INFORMAZIONI IMPORTANTI SULLA SICUREZZA

I generatori Honda sono progettati per essere usati con attrezzature elettriche dotate dei requisiti elettrici adeguati. Un utilizzo di diverso tipo potrebbe causare lesioni all'operatore o danni al generatore e ad altre proprietà. Per prevenire incidenti è necessario attenersi alle istruzioni riportate nel presente manuale e sul generatore stesso. Di seguito verranno illustrati i rischi più comuni e alcuni consigli per proteggere se stessi e gli altri.

Non tentare mai di apportare modifiche al generatore. Questo potrebbe provocare incidenti o danni al generatore e alle apparecchiature a esso collegate. In caso di interventi sul motore si annulla l'approvazione del modello UE.

- Non collegare prolunghe al silenziatore.
- Non modificare il sistema di aspirazione.
- Non eseguire regolazioni sul regolatore.
- Non rimuovere il pannello comandi né modificare la disposizione dei cavi.

Responsabilità dell'operatore

Acquisire familiarità con le procedure necessarie ad arrestare rapidamente il generatore in caso di emergenza.

Saper usare tutti i comandi del generatore, conoscere le prese di uscita e i collegamenti.

Accertarsi che tutti coloro che utilizzano il generatore siano sufficientemente addestrati. Non permettere ai bambini di usare il generatore senza la supervisione di un adulto.

Rispettare le istruzioni sull'utilizzo e la manutenzione del generatore riportate nel presente manuale. Una mancata o parziale osservanza delle istruzioni può causare incidenti come scosse elettriche, nonché il deterioramento dei gas di scarico.

Attenersi a tutte le leggi e le normative in vigore nel paese in cui deve essere utilizzato il generatore.

La benzina e l'olio sono prodotti tossici. Prima dell'uso, leggere le istruzioni fornite da ciascun produttore.

Posizionare il generatore in piano prima di azionarlo.

Non azionare il generatore se anche uno dei coperchi è rimosso. Mani o piedi potrebbero restare impigliati nel generatore e causare incidenti.

Per lo smontaggio e gli interventi di manutenzione del generatore non previsti nel presente manuale, rivolgersi al proprio concessionario autorizzato Honda.

Pericoli di intossicazione da monossido di carbonio

I gas di scarico contengono monossido di carbonio, un gas tossico inodore e inodore. L'inalazione di tali gas può causare perdita di conoscenza e portare al decesso.

Se si aziona il generatore in un ambiente chiuso o ristretto, l'aria che si respira potrebbe contenere una quantità pericolosa di gas di scarico.

Non azionare mai il generatore all'interno garage, abitazioni o in prossimità di porte o finestre aperte.

Pericolo di scosse elettriche

Il generatore produce una quantità di energia elettrica sufficiente a provocare scosse elettriche di notevole intensità o elettrocuzione in caso di uso improprio. L'utilizzo del generatore o delle apparecchiature elettriche in condizioni di elevata umidità, come in caso di pioggia o in presenza di neve, in prossimità di specchi d'acqua o impianti di irrigazione, oppure con le mani bagnate, potrebbe provocare elettrocuzione.

Tenere il generatore asciutto.

Se il generatore viene conservato all'aperto, senza alcuna protezione dagli agenti atmosferici, controllare tutti i componenti elettrici sul pannello di controllo prima di ogni utilizzo. Umidità e ghiaccio possono causare guasti o cortocircuiti nei componenti elettrici provocando elettrocuzione.

In caso di elettrocuzione, consultare immediatamente un medico e sottoporsi a cure adeguate.

Pericolo di incendi e ustioni

Non usare il generatore in zone a elevato rischio di incendio.

Il sistema di scarico può surriscaldarsi fino al punto da infiammare alcuni tipi di materiali.

- Durante l'utilizzo, tenere il generatore ad almeno 1 metro di distanza da edifici e altre attrezzature.
- Non chiudere il generatore in nessun tipo di struttura.
- Tenere i materiali infiammabili lontani dal generatore.

Alcune parti del motore a combustione interna diventano molto calde e potrebbero provocare ustioni. Prestare attenzione alle avvertenze riportate sul generatore.

Durante il funzionamento, il silenziatore raggiunge temperature elevate e resta caldo per diverso tempo dopo lo spegnimento del motore. Evitare di toccare il silenziatore fintanto che è caldo. Lasciar raffreddare il motore prima di riporre il generatore in un luogo chiuso.

In caso di incendio, evitare tentare di estinguerlo versando acqua direttamente sul generatore. Usare un estintore apposito per incendi provocati da componenti elettrici o oli.

In caso di inalazione dei fumi generati da un incendio accidentale del generatore, consultare un medico e richiedere un trattamento medico immediato.

Prestare la massima attenzione durante i rifornimenti

La benzina è altamente infiammabile e, in certe condizioni i vapori di benzina possono esplodere.

Attendere il raffreddamento del motore dopo l'utilizzo del generatore.

Eeguire il rifornimento esclusivamente in aree ben ventilate e a motore spento.

Non rifornire il serbatoio mentre il generatore è in funzione.

Non riempire eccessivamente il serbatoio del carburante.

Non fumare in prossimità della benzina, e tenere lontano altre qualunque fonte di scintille o fiamme.

Riporre la benzina sempre in un contenitore apposito.

Assicurarsi che il carburante fuoriuscito sia stato asciugato prima di avviare il motore.

Conformità alle norme antiesplorione

Questo generatore non è conforme alle norme di sicurezza antiesplorione.

Smaltimento

Nel rispetto dell'ambiente, non smaltire il generatore, la batteria, l'olio motore, ecc. del generatore insieme ai normali rifiuti.

Attenersi alle leggi o normative locali o rivolgersi al proprio concessionario autorizzato Honda per smaltire tali componenti.

Smaltire l'olio esausto secondo metodi e procedure conformi al rispetto dell'ambiente. Si consiglia di consegnare l'olio esausto in un contenitore sigillato alla stazione di servizio locale per il recupero. Non gettare l'olio nel contenitore dei rifiuti urbani né versarlo a terra.

Una batteria smaltita in modo inappropriato può danneggiare l'ambiente. Verificare sempre le norme locali vigenti per lo smaltimento delle batterie. Contattare il concessionario Honda per la sostituzione.

SMALTIMENTO GENERATORE



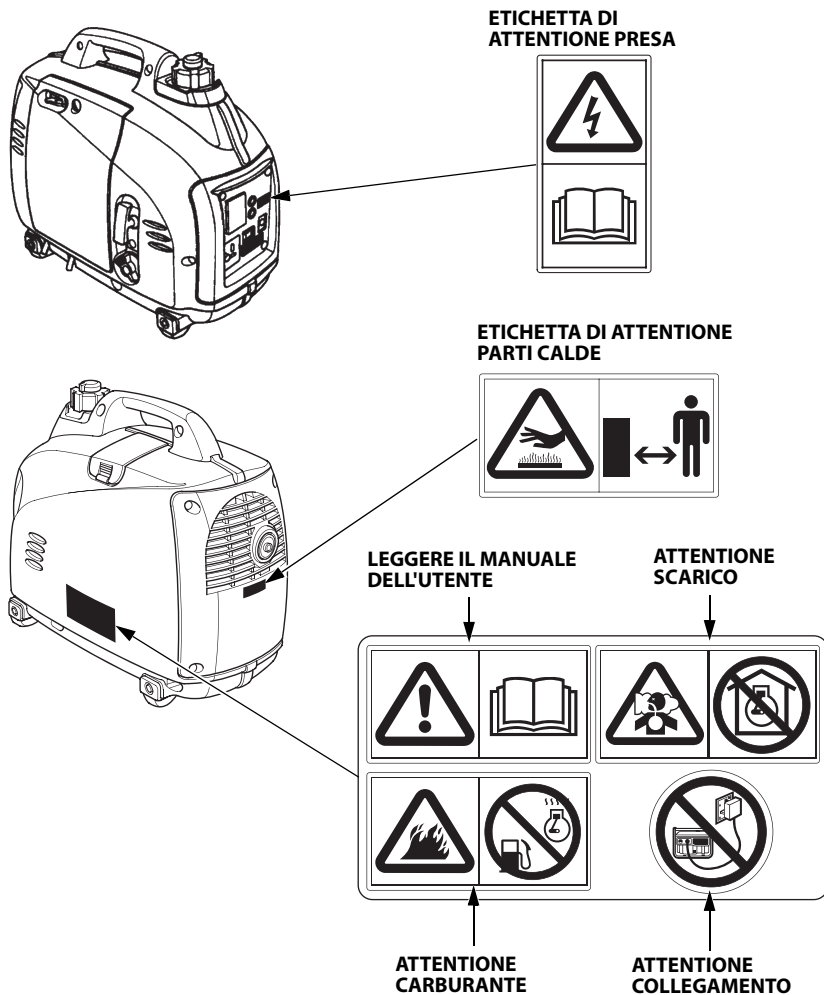
Non smaltire le apparecchiature elettriche con i rifiuti domestici tradizionali. Le apparecchiature elettriche devono essere smaltite in discariche o depositi specifici in quanto contenenti sostanze che possono fuoriuscire e causare reazioni impreviste, oppure entrare nella catena alimentare, danneggiando salute e benessere degli esseri umani. Per ulteriori informazioni sulle modalità di smaltimento di questo prodotto, contattare il concessionario, oppure il più vicino centro di raccolta dei rifiuti domestici.

2. POSIZIONE DELLE ETICHETTE DI SICUREZZA

Queste etichette indicano i potenziali pericoli che possono causare lesioni gravi. Leggere attentamente le etichette, le norme di sicurezza e le precauzioni riportate nel presente manuale.

Se un'etichetta si stacca o diventa illeggibile, rivolgersi al concessionario per la sua sostituzione.

Per modello europeo: Tipi G, GW1, B, F, W, CL

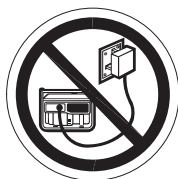




- Il generatore Honda è progettato per garantire un funzionamento sicuro e affidabile se utilizzato secondo le istruzioni. Leggere attentamente il Manuale dell'utente prima di azionare il generatore. In caso contrario potrebbero verificarsi lesioni personali o danni alle attrezzature.



- I gas di scarico contengono monossido di carbonio, un gas tossico incolore e inodore. Respirare monossido di carbonio può causare la perdita di coscienza e portare alla morte.
- Se si aziona il generatore in un ambiente chiuso o ristretto, l'aria che si respira potrebbe contenere una quantità pericolosa di gas di scarico.
- Non azionare mai il generatore all'interno di un garage, di un'abitazione o in prossimità di porte o finestre aperte.



- Collegamenti non corretti all'impianto elettrico di un edificio possono causare un ritorno di corrente dal generatore verso le linee della rete elettrica. Tale corrente di ritorno potrebbe causare la folgorazione del personale dell'azienda elettrica o di coloro che entrano in contatto con le linee durante un'interruzione dell'alimentazione; inoltre, al momento del ripristino dell'alimentazione di rete, il generatore potrebbe esplodere, infiammarsi o provocare incendi. Consultare l'azienda elettrica o un elettricista qualificato prima di eseguire qualsiasi collegamento elettrico.



- **La benzina è altamente infiammabile ed esplosiva. Spegner il motore e farlo raffreddare prima di effettuare il rifornimento.**



- **Collegare e rimuovere la scatola della presa per il funzionamento parallelo a motore spento.**
- **Per il funzionamento in modalità singola, è necessario rimuovere la scatola presa utilizzata per il funzionamento in modalità parallela.**



- **Un sistema di scarico bollente può causare gravi ustioni. Evitare il contatto con il motore dopo che è stato utilizzato.**

Tipi U e CL

[Tipo CL]

ADVERTENCIA DE SEGURIDAD De acuerdo a la resolución exenta N° 1495 de la SEC.

La gasolina es altamente inflamable y explosiva.

Usted puede resultar con quemaduras o seriamente herido si la gasolina se enciende.

■ Antes de rellenar con combustible, detenga el motor y mantenga lejos las fuentes de calor, chispas y flamas.

■ Manipule el combustible solamente en espacios exteriores.

■ No llene el estanque de combustible sobre su nivel máximo.

■ Limpie inmediatamente cualquier salpicadura de combustible.

■ Después de funcionar, lleve el interruptor de encendido y la tapa del estanque de combustible a la posición "OFF" para prevenir fugas de combustible.

Los gases de escape contienen monóxido de carbono que es venenoso, y puede ser peligroso al inhalarlos en espacios cerrados.

Respirar monóxido de carbono puede dejarlo inconsciente o causar la muerte.

■ Nunca opere el generador en espacios cerrados o incluso parcialmente cerrados, cuando exista gente presente.

Conexiones mal realizadas hacia un inmueble, puede permitir que la corriente fluya en sentido inverso hacia el generador, creando un potencial riesgo de electrocución.

■ Las conexiones a un inmueble deben aislar la corriente del generador de la red pública, y deben cumplir con las leyes correspondientes y códigos de seguridad eléctricos.

El generador es una fuente potencial de choques eléctricos si no se mantiene en un ambiente seco.

■ No exponga el generador a humedad, lluvia o nieve.

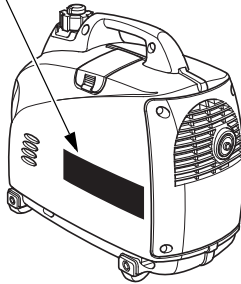
■ No opere el generador con las manos húmedas.

Un sistema de escape caliente puede causarle serias quemaduras.

■ Evite el contacto si el motor ha estado funcionando

Lea cuidadosamente el manual del propietario antes de operar el equipo.

Honda Motor de Chile S.A., San Ignacio 031, Quilicura, Santiago



[Tipo U]

⚠ CAUTION

■ DO NOT USE INDOORS DUE TO DANGER OF CARBON MONOXIDE POISONING.

■ DO NOT CONNECT THE RECEPTACLE OF THIS GENERATOR TO HOUSE WIRING.

■ STOP THE ENGINE BEFORE REFUELING.

■ CHECK FOR SPILLED FUEL OR FUEL LEAKS.

■ DO NOT FILL THE FUEL TANK BEYOND THE UPPER LIMIT LINE.

■ FOR DETAILED EXPLANATION, READ THE OWNER'S MANUAL.

■ WHEN STORED OR IN TRANSIT, MAKE CERTAIN THAT THE ENGINE SWITCH AND THE FUEL TANK CAP LEVER ARE IN "OFF" POSITION TO PREVENT FUEL LEAKS.

■ BE SURE TO CONNECT ONLY THE SPECIAL LEAD TO THE PARALLEL OPERATION RECEPTACLE.

⚠ ATTENTION

■ NE PAS UTILISER DANS UN LOCAL, DUS LES VAPEURS NOCIVES DE MONOXYDE DE CARBONE PEUVENT S'ACCUMULER.

■ NE JAMAIS CONNECTER LE GROUPE ELECTROGENE A UNE PRISE DE SECTEUR.

■ ARRÊTER LE MOTEUR AVANT DE FAIRE LE PLEIN D'ESSENCE.

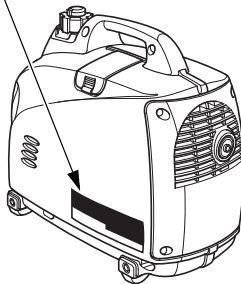
■ CONTRÔLER QU'IL N'Y A RIEN D'ESSENCE, NI D'ESSENCE REPANDUE SUR L'APPAREIL.

■ NE PAS REMPLIR LE RÉSERVOIR D'ESSENCE AU-DESSUS DU REPERE DE NIVEAU MAXIMUM.

■ POUR PLUS D'INFORMATIONS, LIRE LE MANUEL DE L'UTILISATEUR.

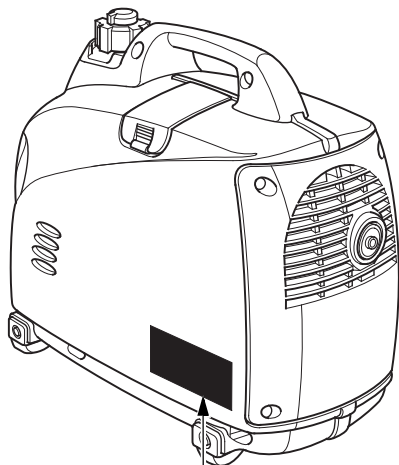
■ QUAND LE GROUPE ELECTROGENE EST REMISE OU TRANSPORTE, S'ASSURER QUE LE CONTACT D'ARRÊT DU MOTEUR ET LA VISE A L'AIR LIBRE DU RÉSERVOIR D'ESSENCE SONT SUR LA POSITION "OFF" AFIN D'ÉVITER TOUTE FURTE D'ESSENCE.

■ CONNECTER UNIQUEMENT LE CORDON SPECIAL A LA PRISE POUR UTILISATION EN PARALLELE.



• Posizione marchio CE ed etichetta del livello acustico

Tipi G, GW1, B, F, W, CL



• MARCHIO CE

ETICHETTA LIVELLO ACUSTICO

Classe di prestazione

Classe di qualità

Codice IP

Massa a secco (peso)

Produttore e indirizzo

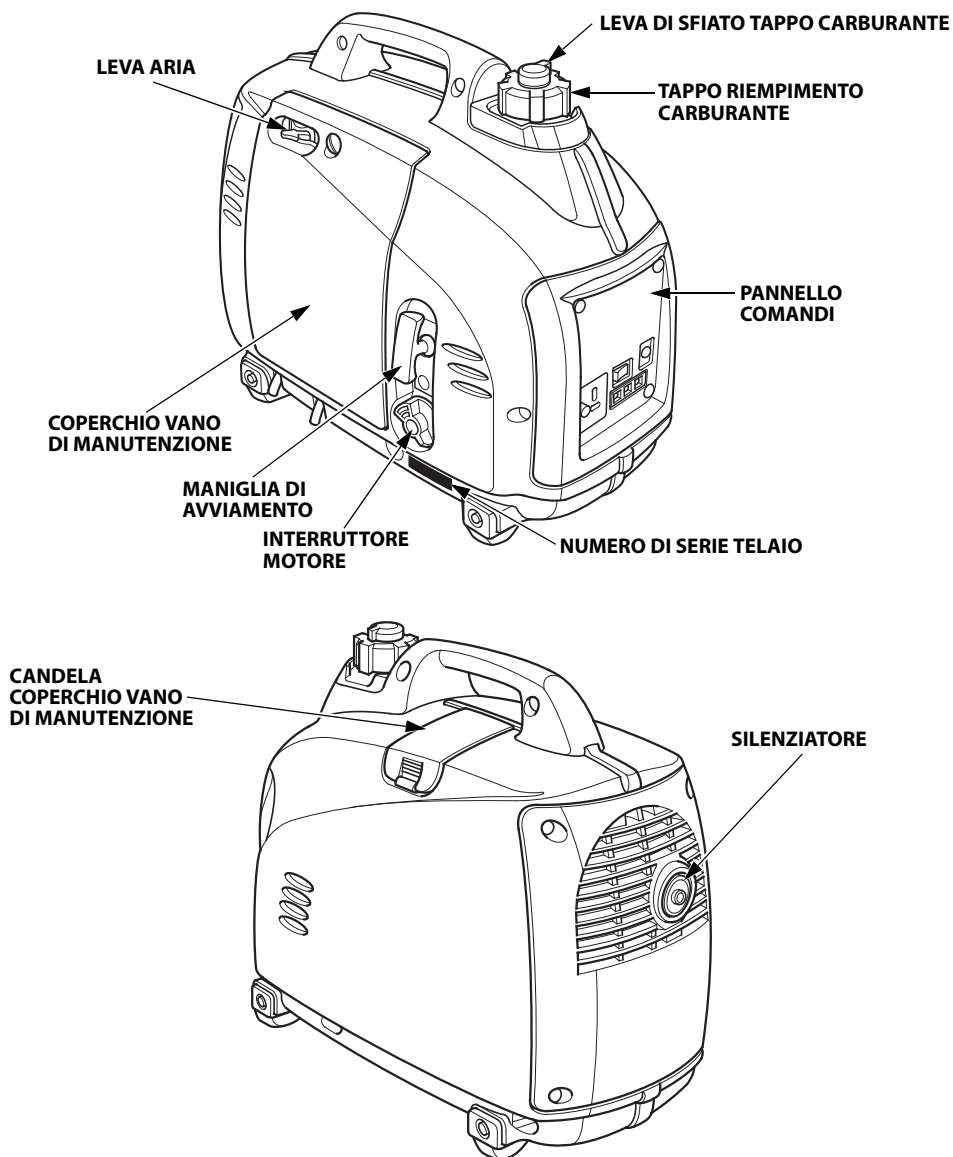
Anno di produzione

Nome e indirizzo del rappresentante autorizzato e dell'importatore

L _{WA} 87 dB		EU10i CE Low-power generating set EN ISO 8528-13		
Maximum power	MAX 1.0 kW	50 Hz	G1	
Rated power	COP 0.9 kW	230 V	A	
Rated power factor	1.0	3.9A	IP23M	
Year of Mfg.	Mass		kg	

Indica il nome e l'indirizzo del produttore, del rappresentante autorizzato e dell'importatore riportati nella sezione DESCRIZIONE DEL CONTENUTO DELLA "Dichiarazione CE di conformità" inclusa nel presente Manuale dell'utente.

3. IDENTIFICAZIONE COMPONENTI



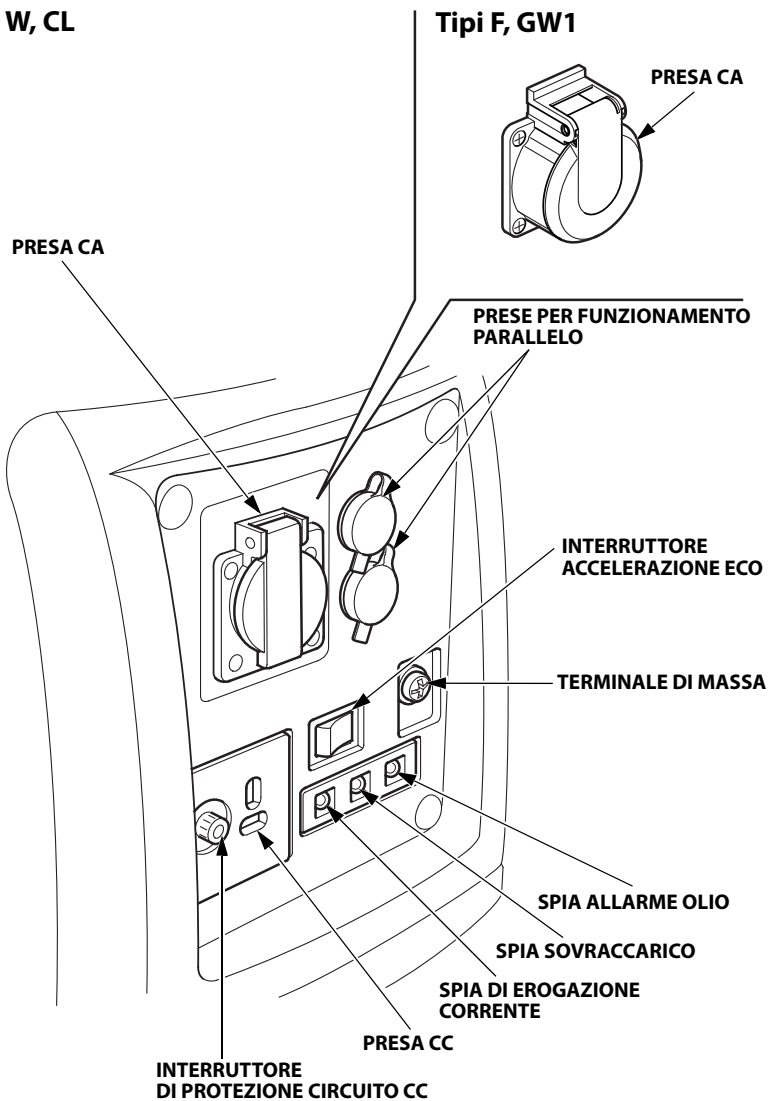
Annotare il numero di serie del telaio nello spazio sottostante. Tale numero sarà necessario per ordinare i ricambi.

Numero di serie del telaio: _____

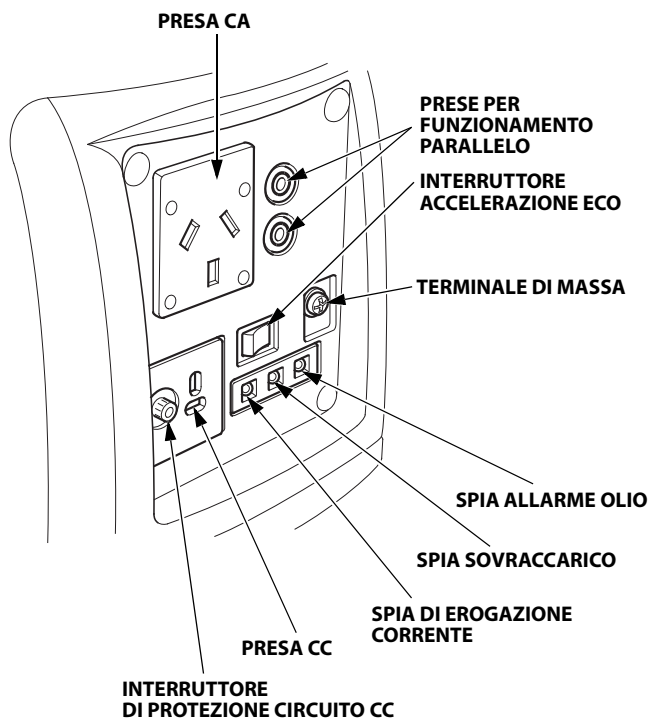
PANNELLO COMANDI

Tipi G, B, W, CL

Tipi F, GW1



Tipo U



Accelerazione Eco

MODALITÀ ECO:

Il regime del motore è tenuto automaticamente al minimo quando l'apparecchio non è collegato e ritorna a una potenza adeguata al carico elettrico quando l'apparecchio è collegato. Si consiglia l'uso di tale modalità per ridurre al minimo il consumo di carburante durante il funzionamento.

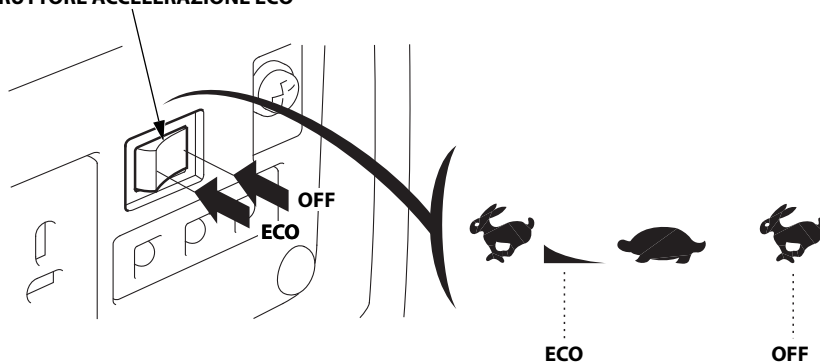
NOTA:

- La funzione di accelerazione Eco non funziona adeguatamente se l'apparecchio elettrico richiede temporaneamente un livello di potenza maggiore.
- Quando si collegano contemporaneamente apparecchi con carichi elettrici elevati, portare l'interruttore di accelerazione Eco in posizione OFF per ridurre le variazioni di tensione.
- Durante il funzionamento in modalità CC, portare l'interruttore di accelerazione Eco in posizione OFF.

OFF:

Il sistema di accelerazione Eco non è in funzione. Il regime motore viene mantenuto nell'intervallo (con interruttore di accelerazione Eco su OFF) indicato nella pagina delle "SPECIFICHE".

INTERRUTTORE ACCELERAZIONE ECO



4. CONTROLLI PRELIMINARI

ATTENZIONE:

Accertarsi di controllare il generatore collocandolo su una superficie piana, a motore spento.

Prima di ogni utilizzo, verificare se intorno o sotto al motore sono presenti segni di perdite di olio o benzina.

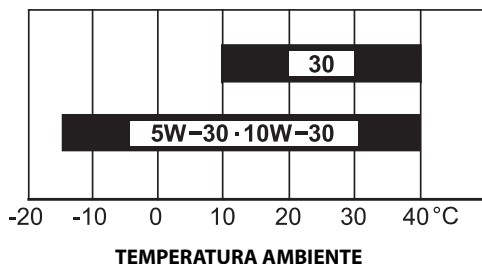
1. Controllare il livello dell'olio motore.

ATTENZIONE:

L'utilizzo di un olio non detergente o di un olio per motore a 2 tempi potrebbe ridurre la durata operativa del motore.

Olio raccomandato

Utilizzare olio per motori a 4 tempi che risponda almeno ai requisiti per la classificazione di servizio API SE o successiva (o equivalente). Controllare sempre l'etichetta del servizio API sul contenitore dell'olio per accertarsi che siano riportate le lettere SE o una classificazione successiva (o equivalente). Prima dell'uso, leggere le istruzioni riportate sul contenitore dell'olio.



Per l'uso generico è raccomandato SAE 10W-30. Quando la temperatura media dell'area geografica in cui viene utilizzato il generatore è compresa nella fascia indicata, è possibile utilizzare oli con viscosità diversa, come mostrato nella tabella.

Specifica (specifiche) dell'olio lubrificante necessaria(e) per mantenere le prestazioni dell'impianto di controllo emissioni: olio originale, prodotto da Honda.

- (1) Allentare la vite del coperchio del vano di manutenzione e rimuovere la copertura (vedere pagina 40).
- (2) Rimuovere il tappo di riempimento olio.
- (3) Controllare il livello dell'olio. Se si trova al di sotto del limite superiore, rabboccare con olio di tipo consigliato (vedere pagina 16) fino al limite superiore.
- (4) Serrare saldamente il tappo di riempimento olio.

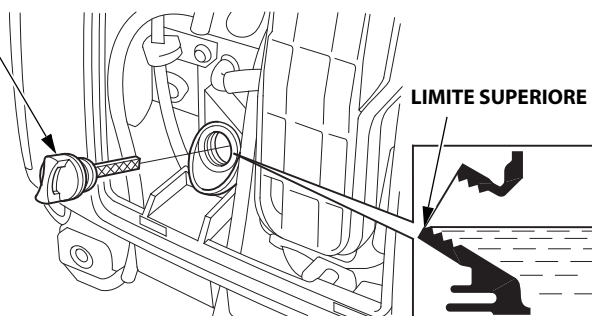
ATTENZIONE:

Il funzionamento del motore con una quantità insufficiente di olio può danneggiare seriamente il motore.

NOTA:

Il sistema di allarme olio arresta automaticamente il motore prima che il livello dell'olio scenda al di sotto del limite di sicurezza. In ogni caso, onde evitare inconvenienti dovuti a un arresto improvviso, si consiglia di controllare regolarmente il livello dell'olio.

**TAPPO DI
RIEMPIMENTO OLIO**



2. Controllare il livello del carburante.

Se il livello del carburante è basso, riempire il serbatoio carburante fino al livello prescritto.

Dopo il rifornimento, serrare saldamente il tappo di riempimento carburante.

Carburante consigliato

Benzina senza piombo	
	Numero di ottano di almeno 91
	Numero di ottano alla pompa di almeno 86

Questo motore è certificato per funzionare con benzina senza piombo con un numero di ottano alla pompa di almeno 86 (un numero di ottano alla pompa pari o superiore a 91).

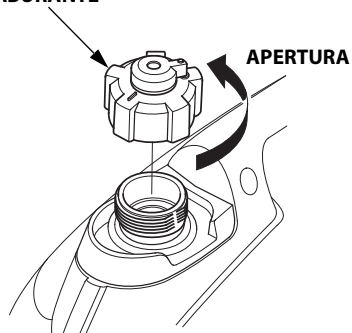
Specifiche (specifiche) del carburante necessaria(e) per mantenere le prestazioni dell'impianto di controllo emissioni: carburante E10 indicato nella normativa UE. Non usare mai carburante vecchio, contaminato o una miscela olio/carburante. Evitare che polvere o acqua penetrino nel serbatoio del carburante.

⚠ AVVERTENZA

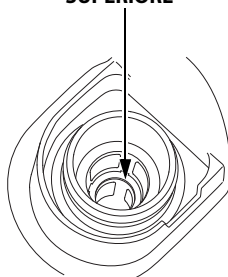
- **La benzina è estremamente infiammabile e, in determinate condizioni, esplosiva.**
- **Effettuare il rifornimento in un luogo ben ventilato e a motore spento. Non fumare e non avvicinare fiamme o scintille laddove viene effettuato il rifornimento o nell'area di stoccaggio della benzina.**
- **Non riempire eccessivamente il serbatoio (non riempire oltre la tacca di livello superiore). Dopo il rifornimento, accertarsi che il tappo di riempimento carburante sia ben chiuso.**
- **Prestare attenzione a non far fuoriuscire benzina durante il rifornimento. La benzina versata o i suoi vapori potrebbero incendiarsi. Qualora dovesse fuoriuscire della benzina, accertarsi che l'area sia asciutta prima di avviare il motore.**
- **Evitare il contatto ripetuto o prolungato con la pelle ed evitare altresì di inalare i vapori.**

TENERE FUORI DALLA PORTATA DEI BAMBINI.

TAPPO RIEMPIMENTO
CARBURANTE



SEGNO DI LIMITE
SUPERIORE



NOTA:

La benzina si deteriora molto rapidamente in presenza di fattori quali l'esposizione alla luce, la temperatura e il tempo.

Nei casi peggiori, la benzina può contaminarsi in 30 giorni.

L'uso di benzina contaminata può danneggiare seriamente il motore (carburatore ostruito, valvole bloccate).

Tali danni dovuti alla benzina contaminata non sono coperti da garanzia.

Per evitare ciò, seguire scrupolosamente le raccomandazioni seguenti:

- Utilizzare soltanto i tipi di benzina raccomandati (vedere pagina 17).
- Utilizzare benzina fresca e pulita.
- Per rallentare il deterioramento, conservare la benzina in un apposito contenitore per carburanti.
- Se si prevede un rimessaggio prolungato (più di 30 giorni), svuotare il serbatoio del carburante e il carburatore (vedere pagina 45).

Benzine contenenti alcol

Se si decide di utilizzare benzina contenente alcol (gasohol), accertarsi che il numero di ottani sia almeno equivalente a quello consigliato da Honda.

Esistono due tipi di "gasohol": uno contenente etanolo e l'altro contenente metanolo.

Non utilizzare gasohol contenente più del 10% di etanolo.

Non utilizzare benzina contenente più del 5% di metanolo (metile o alcol metilico) priva di cosolventi e anticorrosivi specifici per il metanolo.

NOTA:

- Eventuali danni al sistema di alimentazione del carburante o alle prestazioni del motore, causati dall'uso di benzina contenente una quantità di alcol superiore a quella raccomandata, non saranno coperti dalla garanzia.
- Prima di acquistare benzina presso una stazione di rifornimento non conosciuta, determinare se la benzina contiene alcol; in caso affermativo, scoprire la percentuale e il tipo di alcol contenuto.
Se si sta utilizzando un tipo particolare di benzina e si notano anomalie di funzionamento, passare a una benzina che contenga sicuramente una percentuale di alcol inferiore a quella consigliata.

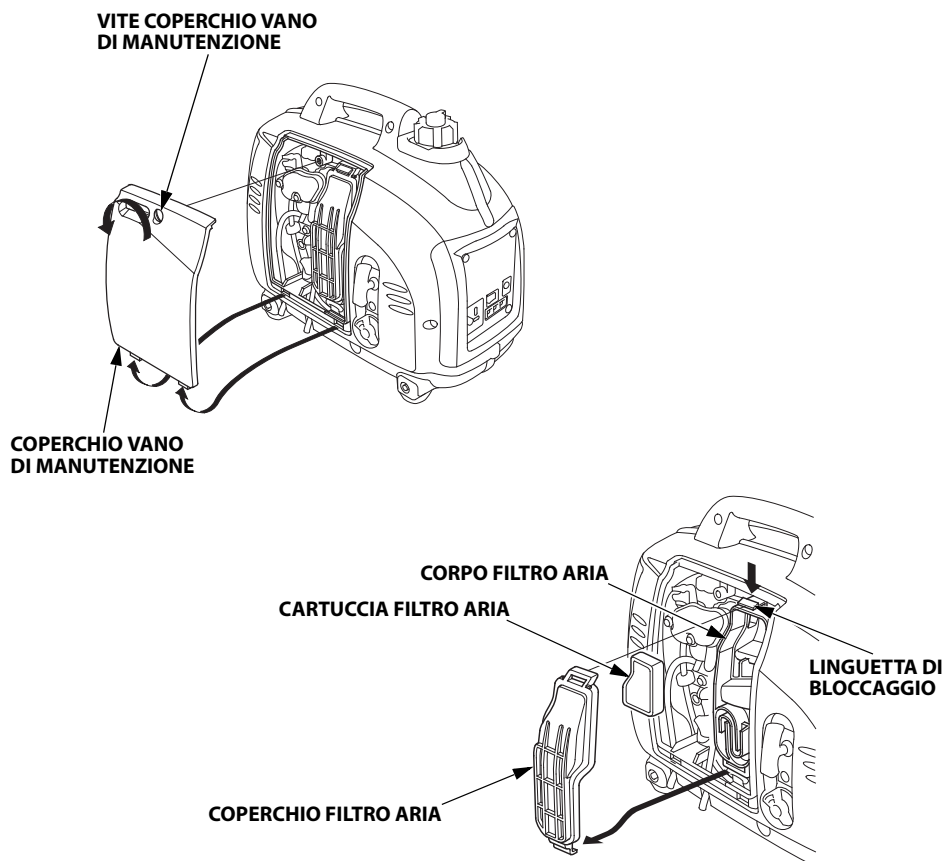
3. Controllare il filtro aria.

Controllare l'elemento del filtro aria e accertarsi che sia pulito e in buone condizioni.

Allentare la vite del coperchio del vano di manutenzione e rimuovere la copertura. Premere la linguetta situata sull'estremità superiore del corpo del filtro aria, rimuovere il coperchio del filtro e ispezionare l'elemento. Pulire o sostituire l'elemento secondo necessità (vedere pagina 41).

ATTENZIONE:

Non azionare mai il motore in assenza del filtro aria. Materiali contaminanti, come polvere o sporcizia, penetrerebbero nel motore attraverso il carburatore, causandone una rapida usura.



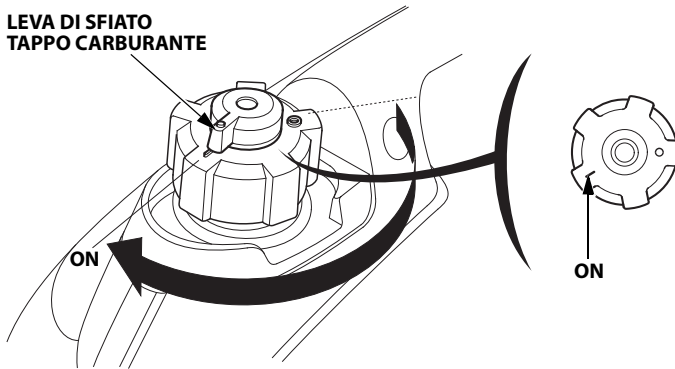
5. AVVIAMENTO DEL MOTORE

Prima di avviare il motore scollegare la presa CA da qualunque sorgente di alimentazione elettrica.

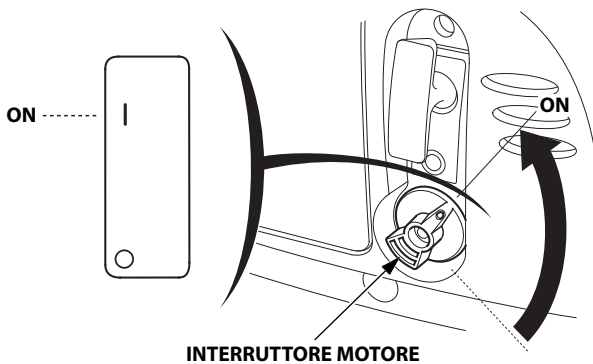
1. Ruotare completamente la leva di sfiato del tappo carburante in senso orario, verso la posizione ON.

NOTA:

Durante il trasporto del generatore, ruotare la leva di sfiato del tappo carburante verso la posizione OFF.



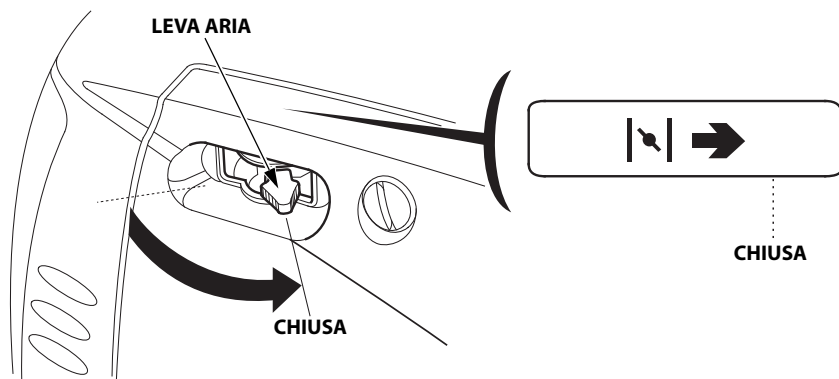
2. Portare l'interruttore motore sulla posizione ON.



3. Spostare la leva dell'aria in posizione CHIUSA.

NOTA:

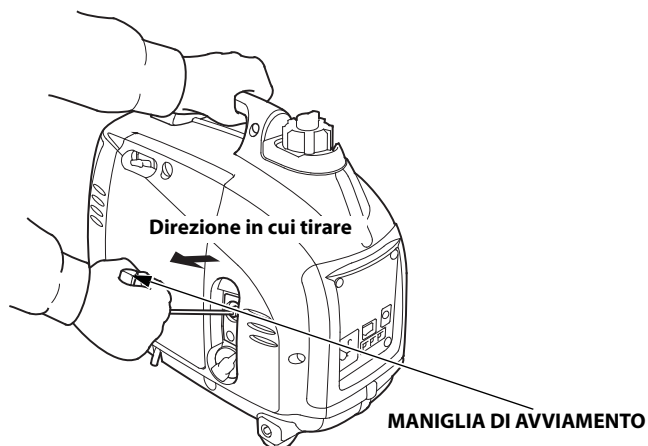
Non utilizzare la leva dell'aria se il motore è caldo o quando la temperatura dell'aria è elevata.



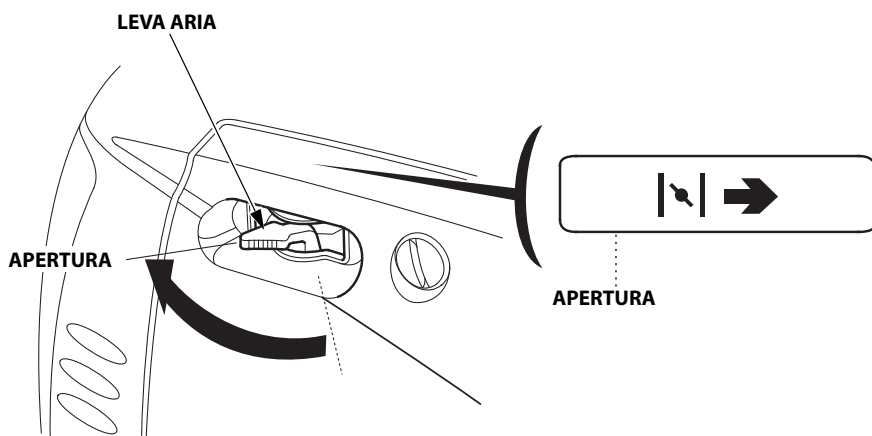
4. Tirare leggermente l'impugnatura di avviamento fino ad avvertire una certa resistenza, quindi tirarla di scatto nella direzione indicata dalla freccia, in figura sotto.

ATTENZIONE:

- **La maniglia di avviamento potrebbe riavvolgersi molto rapidamente prima di essere rilasciata. Il contraccolpo potrebbe causare il trascinarsi della verso il motore, causando lesioni.**
- **Evitare i contraccolpi dell'impugnatura del cavo di avviamento. Accompagnare l'impugnatura lentamente.**



5. Portare la leva dell'aria in posizione APERTA mentre il motore si riscalda.



NOTA:

Se il motore si spegne e non si riavvia, controllare il livello dell'olio motore (vedere pagina 17) prima di eseguire la ricerca guasti in altre aree.

• **Modifica del carburatore per il funzionamento ad altitudini elevate**

Ad altitudini elevate, la miscela standard aria-carburante risulta eccessivamente grassa. Le prestazioni diminuiscono e il consumo di carburante aumenta. Inoltre, una miscela troppo grassa imbratta le candele e causa difficoltà di avviamento. L'uso prolungato a un'altitudine diversa da quella prescritta per questo motore può aumentare le emissioni di scarico.

Il rendimento ad altitudini elevate può essere migliorato grazie ad alcune modifiche specifiche del carburatore. Se il generatore viene sempre utilizzato ad altitudini superiori a 610 metri, rivolgersi a un concessionario autorizzato Honda per la modifica del carburatore. Il motore, se usato ad altitudini elevate, con il carburatore appositamente modificato, sarà conforme a tutti gli standard sulle emissioni per tutta la durata utile.

Anche con le modifiche al carburatore, la potenza del motore diminuirà di circa il 3,5% per ogni 300 metri di aumento dell'altitudine. L'effetto dell'altitudine sulla potenza sarà maggiore in assenza di modifiche al carburatore.

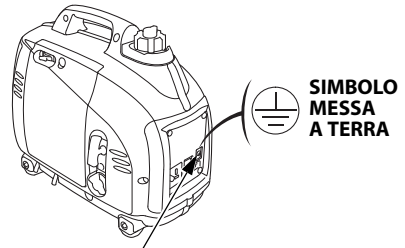
ATTENZIONE:

Se il carburatore è stato modificato per l'uso ad altitudini elevate, la miscela aria-carburante sarà troppo magra per essere utilizzata a basse altitudini. Un impiego ad altitudini inferiori a 610 m, con un carburatore modificato, potrebbe provocare il surriscaldamento del motore con gravi danni al motore stesso. Per l'uso a basse altitudini, richiedere al rivenditore di riportare il carburatore alle specifiche originali di fabbrica.

6. USO DEL GENERATORE

Il generatore produce una quantità di energia elettrica sufficiente a provocare scosse elettriche di notevole intensità o elettrocuzione in caso di uso improprio. Accertarsi di collegare a terra il generatore quando l'apparecchio alimentato è collegato a terra.

Per collegare a terra il terminale del generatore, utilizzare un filo di rame con un diametro uguale o superiore a quello del cavo di alimentazione dell'apparecchio collegato.

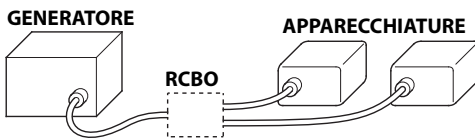


Se l'apparecchio collegato è dotato di conduttore per la messa a terra, anche un'eventuale prolunga dovrà essere dotata di conduttore per la messa a terra.

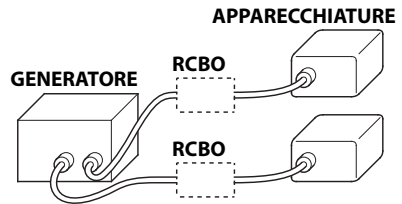
Per identificare il terminale di terra nella spina, consultare la sezione PRESA a pagina 52.

Se si utilizzano due o più apparecchi, collegare un interruttore RCBO (interruttore differenziale con protezione da sovracorrente) da 30 mA con rilevamento guasti verso terra e interruzione inferiore a 0,4 secondi a più di 30 A di corrente di uscita.

Prima dell'uso, leggere le istruzioni fornite con l'interruttore RCBO.



Collegamento con un RCBO



Collegamento con due RCBO

⚠ AVVERTENZA

Collegamenti impropri all'impianto elettrico di un edificio possono causare un ritorno di corrente dal generatore verso le linee della rete elettrica. Tale corrente di ritorno potrebbe causare la folgorazione del personale dell'azienda elettrica o di coloro che entrano in contatto con le linee durante un'interruzione dell'alimentazione; inoltre, al momento del ripristino dell'alimentazione di rete, il generatore potrebbe esplodere, infiammarsi o provocare incendi.

Consultare l'azienda elettrica o un elettricista qualificato prima di eseguire qualsiasi collegamento elettrico.

ATTENZIONE:

- Non superare il limite di corrente specificato per ciascuna presa.
- Non modificare o utilizzare il generatore per impieghi differenti da quelli previsti. Durante l'utilizzo del generatore, attenersi a quanto segue.
- Non collegare una prolunga al condotto di scarico.
- Se è necessario un cavo di prolunga, utilizzare esclusivamente un cavo flessibile rivestito in gomma resistente (conforme allo standard IEC 245 o equivalente).

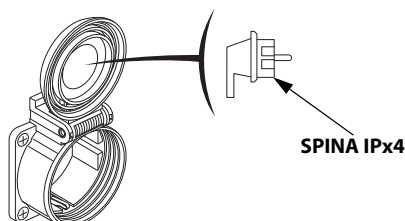
Quando si utilizza una prolunga il valore della resistenza non deve superare 1,5 Ω .

- Limite di lunghezza per i cavi di prolunga: 60 m per i cavi da 1,5 mm² e 100 m per i cavi da 2,5 mm². Tanto maggiore è la lunghezza dei cavi, quanto minore sarà la potenza utilizzabile a causa della resistenza del cavo.
- Tenere il generatore lontano da altri cavi o fili elettrici, come quelli di normale alimentazione elettrica.

⚠ AVVERTENZA

Tipo GW1

Quando si connette una spina ad angolo, assicurarsi di utilizzare solo spine di tipo IPx4.



NOTA:

- Molti apparecchi elettrici richiedono un wattaggio superiore al loro wattaggio nominale per avviarsi. Verificare che la potenza nominale dell'utensile o dell'apparecchio non superi quella del generatore.

Potenza massima: 1,0 k VA

- Per un funzionamento continuo non superare la potenza nominale.

Potenza nominale: 0,9 k VA

- In entrambi i casi, si deve considerare la potenza totale (VA) richiesta da tutti gli apparecchi collegati.

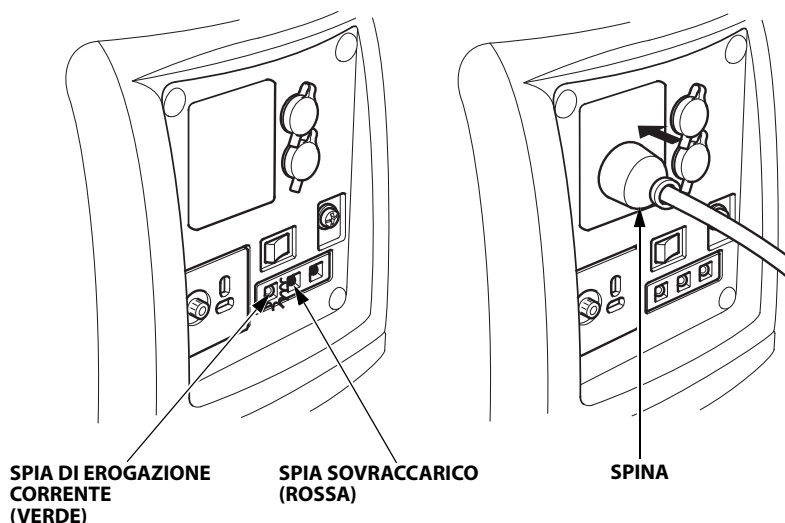
- La presa CC può essere usata anche quando è in uso l'alimentazione CA.

Se le due prese vengono utilizzate contemporaneamente, non superare la potenza massima della corrente CA.

Potenza massima CA: 0,8 k VA

Applicazioni CA

1. Avviare il motore e accertarsi che la spia verde che indica l'attivazione dell'erogazione della corrente sia accesa.
2. Verificare che l'apparecchio da utilizzare sia spento, quindi collegarlo alla presa.



ATTENZIONE:

- **Un sovraccarico considerevole, indicato dall'accensione continua della relativa spia (rossa), può danneggiare il generatore. Un sovraccarico limitato, indicato da un'accensione temporanea della relativa spia (rossa), può ridurre la durata del generatore.**
- **Verificare che tutte le apparecchiature elettriche siano in buone condizioni di funzionamento prima di collegarle al generatore. Gli attrezzi elettrici (compresi fili e collegamenti delle prese) non devono presentare difetti. Se un apparecchio comincia a funzionare in maniera anomala, rallenta o si ferma improvvisamente, spegnere immediatamente l'interruttore del generatore. Quindi scollegare l'apparecchio e verificare l'eventuale presenza di un guasto.**

Spia di erogazione corrente e di sovraccarico

La spia di erogazione corrente (verde) rimane accesa nelle normali condizioni di funzionamento.

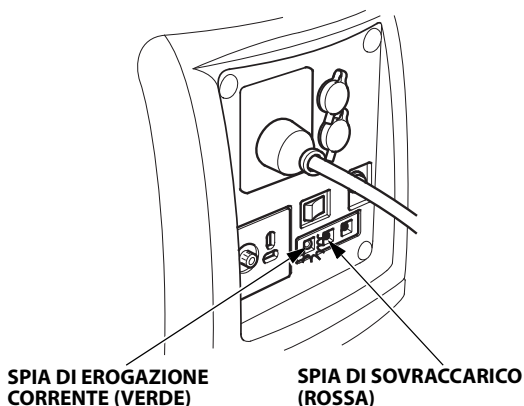
Inoltre, la spia di erogazione corrente ha una funzione contatore semplificata. Quando si avvia il motore, la spia indica le ore di utilizzo totali mediante le seguenti sequenze di lampeggi:

- Nessun lampeggio: 0-100 ore
- 1 lampeggio: 100-200 ore
- 2 lampeggi: 200-300 ore
- 3 lampeggi: 300-400 ore
- 4 lampeggi: 400-500 ore
- 5 lampeggi: 500 o più ore

Se il generatore è sovraccarico (oltre 1,0 kVA), o se è presente un cortocircuito nell'apparecchio collegato, la spia di erogazione corrente (verde) si SPEGNE, la spia di sovraccarico (rossa) si ACCENDE e l'erogazione di corrente all'apparecchio collegato si interrompe.

In caso di accensione della spia di sovraccarico, arrestare il motore e verificare l'origine del sovraccarico.

- Prima di collegare un apparecchio al generatore, controllare che sia in buone condizioni e che la sua potenza nominale non sia superiore a quella del generatore. Collegare quindi il cavo di alimentazione dell'apparecchio e avviare il motore.



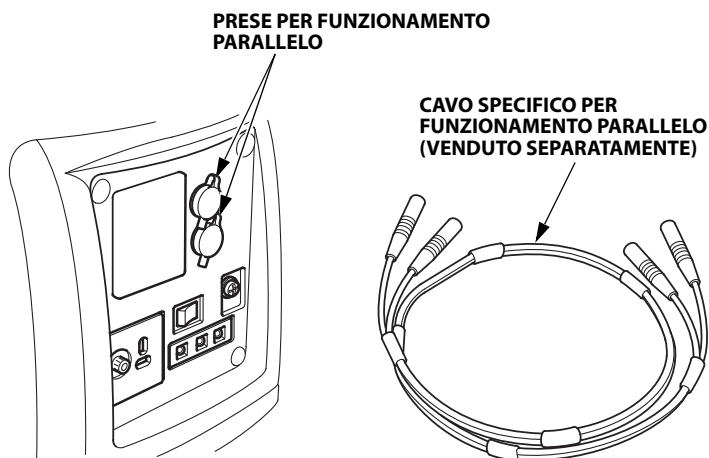
NOTA:

Quando si avvia un motore elettrico, la spia di sovraccarico (rossa) e la spia di erogazione corrente (verde) possono accendersi simultaneamente. Ciò rientra nella normalità se dopo circa quattro (4) secondi la spia di sovraccarico (rossa) si SPEGNE. Nel caso in cui la spia di sovraccarico (rossa) rimanga ACCESA, rivolgersi ad un concessionario Honda.

Funzionamento in modalità parallela

Si prega di leggere la sezione "USO DEL GENERATORE" prima di collegare qualsiasi apparecchio.

Utilizzare esclusivamente un cavo specifico per il funzionamento parallelo (venduto separatamente).



Molti apparecchi elettrici richiedono un wattaggio superiore al loro wattaggio nominale per avviarsi. Verificare che la potenza nominale dell'utensile o dell'apparecchio non superi quella del generatore.

La potenza massima in modalità di funzionamento parallelo è: 2,0 k VA

Per il funzionamento continuo non superare la potenza nominale indicata.

La potenza nominale in modalità parallela è: 1,8 k VA

In entrambi i casi, si deve considerare la potenza totale (VA) richiesta da tutti gli apparecchi collegati.

ATTENZIONE:

Un sovraccarico considerevole, indicato dall'accensione continua della relativa spia (rossa), può danneggiare il generatore. Un sovraccarico limitato, indicato da un'accensione temporanea della relativa spia (rossa), può ridurre la durata del generatore.

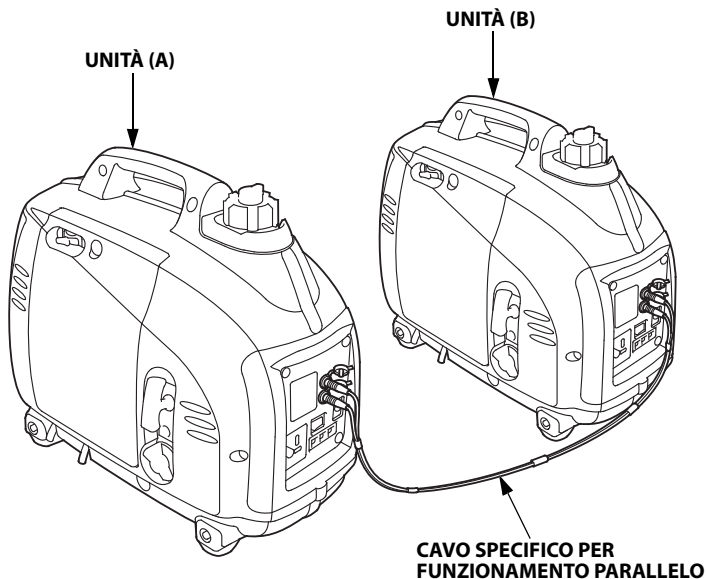
⚠ AVVERTENZA

- **Non collegare mai modelli o tipi di generatore differenti.**
- **Non collegare mai cavi diversi da quello per il funzionamento in parallelo.**
- **Collegare e rimuovere il cavo per il funzionamento parallelo a motore spento.**
- **Per il funzionamento in modalità singola, è necessario rimuovere il cavo per il funzionamento in parallelo.**

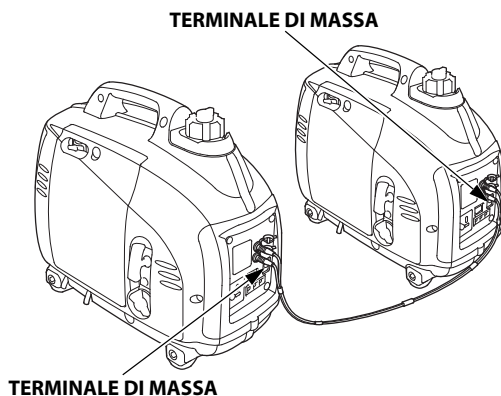
NOTA:

- A seconda dell'apparecchio da utilizzare, può verificarsi un sovraccarico, con la conseguente accensione della spia di sovraccarico (rossa) può accendersi e l'interruzione dell'alimentazione.
- Per avviarsi generalmente i motori richiedono una potenza due o tre volte superiore al loro consumo di corrente normale.

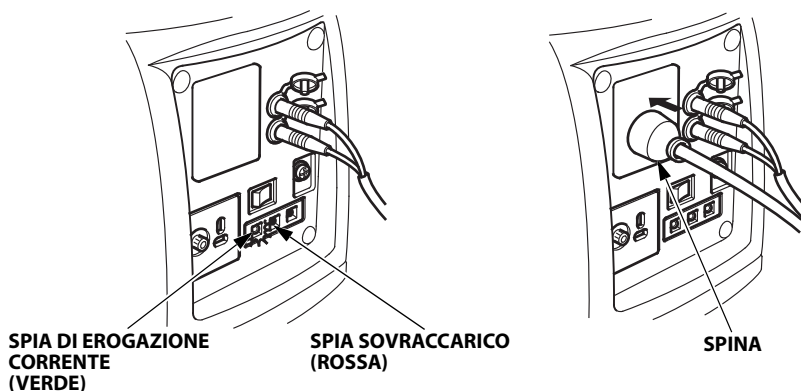
1. Collegare l'apposito cavo per il funzionamento parallelo ai due generatori.



2. Assicurarsi di collegare a terra il generatore quando l'apparecchio ad esso connesso è collegato a terra.



3. Avviare ciascun motore secondo la procedura riportata in sezione "AVVIARE IL MOTORE".
- Se la spia di erogazione corrente (verde) non si accende e si accende invece la spia di sovraccarico (rossa), portare l'interruttore del motore in posizione SPENTO, arrestare il motore e quindi riavviarlo.
4. Verificare che l'apparecchio da utilizzare sia spento, quindi inserire la spina dell'apparecchio nella presa CA dell'unità (A) o in quella dell'unità (B).



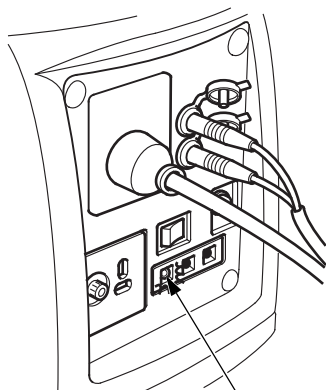
ATTENZIONE:

Controllare che l'apparecchio da collegare sia spento.

Se l'apparecchio da collegare è acceso, si avvierà immediatamente e ciò potrebbe causare lesioni o altri incidenti.

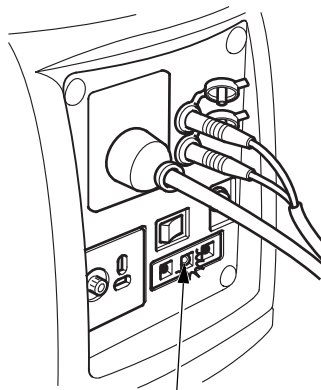
-
5. Accendere l'apparecchiatura che si desidera utilizzare collegata al generatore. La spia di erogazione corrente (verde), si illuminerà.

In caso di funzionamento normale



**SPIA DI EROGAZIONE
CORRENTE (VERDE)**

**In caso di funzionamento
in sovraccarico o cortocircuito**



**SPIA DI SOVRACCARICO
(ROSSA)**

- In caso di funzionamento in sovraccarico (fare riferimento a pagina 29) o di problemi all'apparecchio da utilizzare, la spia di erogazione corrente (verde) si spegne, la spia di sovraccarico (rossa) si accende e l'alimentazione si interrompe.

A questo punto il motore non si arresta automaticamente ma deve essere arrestato manualmente, portando il relativo interruttore in posizione SPENTO.

NOTA:

- Nel caso in cui si utilizzi un apparecchio il cui avvio richiede una potenza elevata, come ad esempio un motore ecc., la spia di sovraccarico (rossa) e la spia di erogazione corrente (verde) possono accendersi contemporaneamente per un breve periodo di tempo (circa 4 secondi), ma ciò rientra nella normalità. Dopo l'accensione dell'apparecchio, la spia di sovraccarico (rossa) si spegne e la spia di erogazione corrente (verde) rimane accesa.
 - Se un generatore deve essere arrestato dopo l'accensione dell'apparecchio, è necessario rimuovere contemporaneamente anche l'apposito cavo per il funzionamento parallelo.
6. Quando si ripresenta la necessità di ottenere corrente elettrica dal generatore, spegnere l'apparecchio da utilizzare e rimuovere la spina dalla presa CA. Verificare che l'apparecchio e il collegamento stiano funzionando correttamente, che la potenza richiesta non sia eccessiva e quindi avviare il motore.

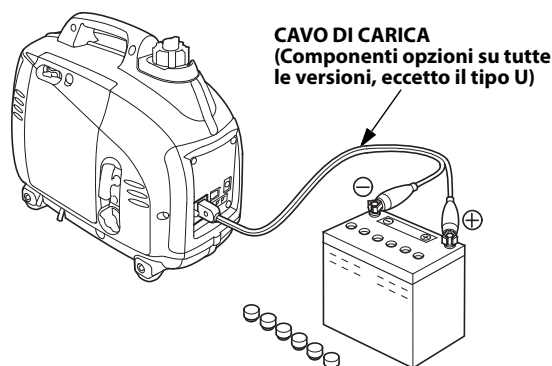
Applicazione CC

La presa CC può essere usata esclusivamente per caricare batterie a 12 volt per impiego su veicoli.

NOTA:

Durante il funzionamento in modalità CC, portare l'interruttore di accelerazione Eco in posizione OFF.

1. Collegare il cavo di carica alla presa CC del generatore, quindi ai terminali della batteria.



⚠ AVVERTENZA

- Per evitare che si creino eventuali scintille vicino alla batteria, collegare il cavo di carica prima al generatore, quindi alla batteria. Scollegare il cavo iniziando dalla batteria.
- Prima di collegare i cavi di carica ad una batteria installata su un veicolo, scollegare il cavo della batteria del veicolo. Ricollegare il cavo della batteria del veicolo solo dopo aver rimosso i cavi di carica. Tale procedura consente di evitare scintille o cortocircuiti in caso di contatto accidentale tra il terminale della batteria e il telaio o la carrozzeria del veicolo.

ATTENZIONE:

- Non tentare di avviare il motore di un'automobile con il generatore ancora collegato alla batteria. Il generatore potrebbe danneggiarsi.
- Collegare il terminale positivo della batteria al cavo positivo di carica. Non invertire i cavi di carica. Il generatore e/o la batteria potrebbero danneggiarsi gravemente.

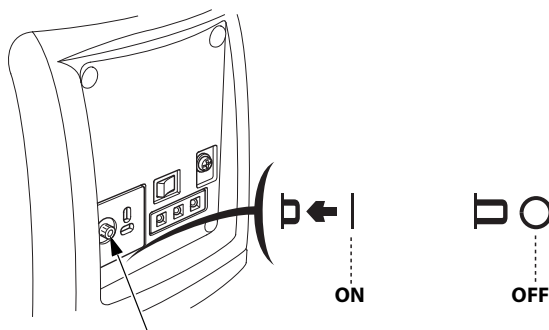
⚠ AVVERTENZA

- **Le batterie generano gas esplosivi: se incendiata, l'esplosione può causare gravi lesioni o cecità. Durante la carica provvedere ad un'adeguata ventilazione.**
- **PERICOLI CHIMICI: L'elettrolito della batteria contiene acido solforico. Il contatto con la pelle o gli occhi, anche se attraverso gli indumenti, può causare gravi ustioni. Indossare indumenti e maschere protettive.**
- **Tenere lontane fiamme e scintille e non fumare in prossimità dell'area.**
MISURE DI EMERGENZA: Se l'elettrolito viene a contatto con gli occhi, lavarli abbondantemente con acqua tiepida per almeno 15 minuti e contattare immediatamente un medico.
- **VELENO: L'elettrolito è velenoso.**
MISURE DI EMERGENZA
 - **Contatto esterno: Lavare abbondantemente con acqua.**
 - **Contatto interno: Se ingerito, bere grandi quantità di acqua o latte, seguite da abbondanti dosi di latte di magnesia o olio vegetale e contattare immediatamente un medico.**
- **TENERE FUORI DALLA PORTATA DEI BAMBINI.**

2. Avviare il motore.

NOTA:

- La presa CC può essere usata anche quando è in uso l'alimentazione CA.
- Un sovraccarico nel circuito CC farà scattare l'interruttore di protezione del circuito CC (il pulsante scatta verso l'esterno).
In tal caso, attendere qualche minuto prima di premere nuovamente l'interruttore di protezione del circuito per ripristinare il funzionamento.

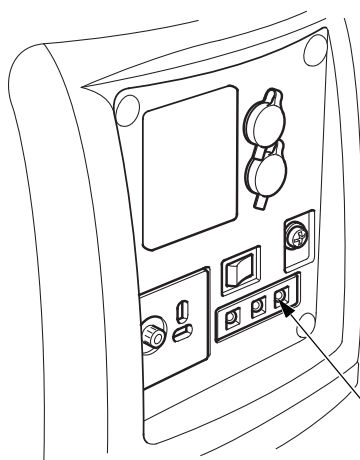


**INTERRUTTORE DI PROTEZIONE
CIRCUITO CC**

Sistema di allarme olio

Il sistema di allarme olio è progettato per evitare che il motore subisca dei danni dovuti ad un'insufficiente quantità di olio nel carter. Prima che il livello dell'olio presente nel carter scenda al di sotto del limite consentito, il sistema di allarme olio arresta automaticamente il motore (l'interruttore del motore rimane in posizione ON).

Se il motore viene arrestato dal sistema di allarme olio, la spia di allarme olio (rossa) si accende nel momento in cui si aziona l'avviatore e il motore non parte. In tal caso, controllare il livello dell'olio motore (vedere pagina 17).



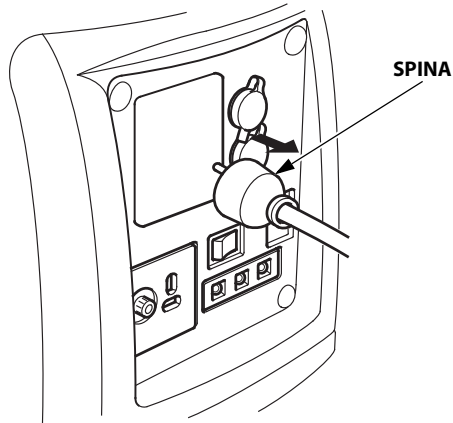
SPIA ALLARME OLIO (ROSSA)

7. ARRESTO DEL MOTORE

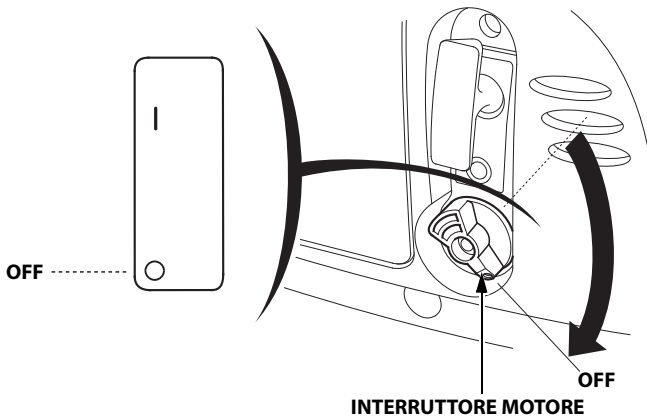
Per arrestare il motore in caso di emergenza, porre l'interruttore del motore su OFF.

DURANTE IL NORMALE UTILIZZO:

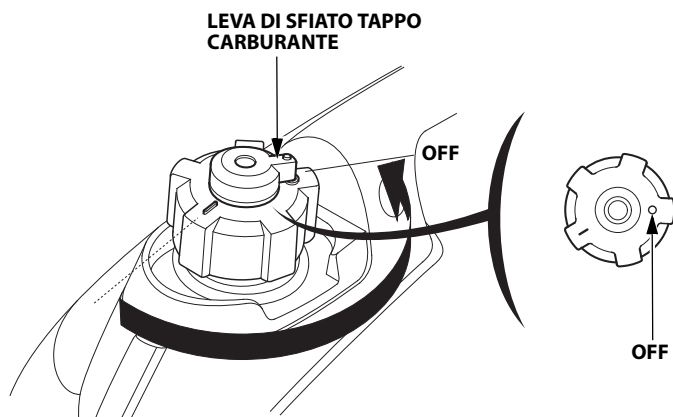
1. Spegnerne o scollegare tutte le apparecchiature collegate al generatore.



2. Portare l'interruttore del motore in posizione OFF.



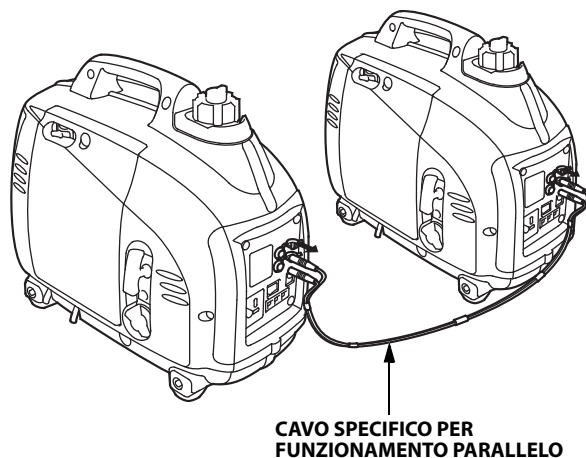
3. Lasciar raffreddare il motore prima di posizionare la leva di sfiato del tappo carburante su OFF.



ATTENZIONE:

Accertarsi che la leva di sfiato del tappo carburante e l'interruttore del motore siano in posizione OFF quando si arresta, si trasporta e/o si immagazzina il generatore.

4. In caso di connessione di due generatori in parallelo, scollegare il cavo per il funzionamento in parallelo dopo aver arrestato i motori.



Manutenzioni e regolazioni periodiche sono determinanti per garantire il funzionamento ottimale del generatore.
 Procedere ai controlli e alla manutenzione programmata in accordo con la tabella indicata di seguito.

⚠ AVVERTENZA

Controllare che il motore sia spento prima di iniziare qualsiasi tipo di intervento di manutenzione o di riparazione. Ciò ridurrà la possibilità di trovarsi in situazioni di pericolo, quali:

- **Avvelenamento da monossido di carbonio generato dai gas di scarico del motore. Garantire un'adeguata ventilazione nel caso in cui il motore debba rimanere acceso.**
- **Ustioni da contatto con parti calde. Lasciar raffreddare il motore e il sistema di scarico prima di toccarli.**
- **Lesioni causate da parti in movimento. Mettere in moto il motore solo se espressamente indicato.**

Durante il funzionamento, il silenziatore raggiunge temperature elevate e resta caldo per diverso tempo dopo lo spegnimento del motore. Evitare di toccare il silenziatore fintanto che è caldo. Lasciar raffreddare il motore prima di procedere alla manutenzione.

ATTENZIONE:

Utilizzare ricambi originali Honda o componenti di qualità equivalente. L'uso di ricambi di qualità non equivalente potrebbe danneggiare il generatore.

Programma di manutenzione

INTERVALLI DI MANUTENZIONE ORDINARIA (1) Da eseguire nei mesi indicati o alla scadenza delle ore di utilizzo, a seconda dell'evento che si verifica per primo.		Ogni utilizzo	Primo mese o dopo 10 ore	Ogni 3 mesi o dopo 50 ore	Ogni 6 mesi o dopo 100 ore	Ogni 2 anni o dopo 300 ore	Pagina
Voce							
Olio motore	Controllare il livello	o					16
	Sostituire		o		o		40
Filtro aria	Controllare	o					20
	Pulire			o (2)			41
Candela	Controllare-regolare				o		42
	Sostituire					o	
Gioco valvola	Controllare-regolare					o (3)	–
Camera di combustione	Pulire		Ogni 300 ore (3)				–
Serbatoio e filtro carburante	Pulire		Ogni anno (3)				–
Tube del carburante	Controllare		Ogni 2 anni (sostituire se necessario) (3)				–

- NOTA:**
- (1) In caso di uso professionale, annotare le ore di utilizzo per stabilire gli intervalli di manutenzione.
 - (2) In caso di utilizzo in zone polverose gli intervalli di manutenzione devono essere effettuati con maggiore frequenza.
 - (3) La manutenzione di questi componenti deve essere effettuata dal proprio concessionario Honda, a meno che non si disponga degli attrezzi adatti e di conoscenze meccaniche qualificate. Fare riferimento al manuale d'officina Honda per le procedure di manutenzione.

1. CAMBIO DELL'OLIO

Per un drenaggio rapido e completo, scaricare l'olio a motore ancora caldo.

ATTENZIONE:

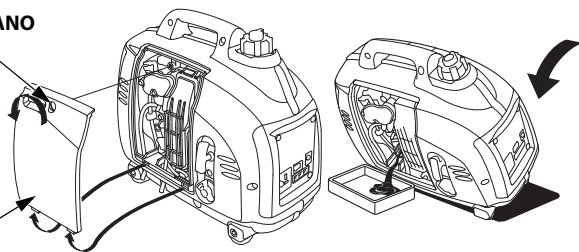
Prima di effettuare il drenaggio, verificare che l'interruttore del motore e la leva di sfiato del tappo carburante siano in posizione OFF.

1. Allentare la vite del coperchio del vano di manutenzione e rimuovere la copertura.
2. Rimuovere il tappo di riempimento olio.
3. Versare tutto l'olio sporco in un contenitore adeguato.
4. Rifornire con l'olio raccomandato (vedere pagina 16) e controllare il livello.

CAPACITÀ OLIO MOTORE: 0,25 litri

5. Rimuovere i residui di olio fuoriusciti dal generatore.
6. Serrare saldamente il tappo di riempimento olio.
7. Reinstallare il coperchio del vano di manutenzione e fissarlo in posizione serrando saldamente la vite.

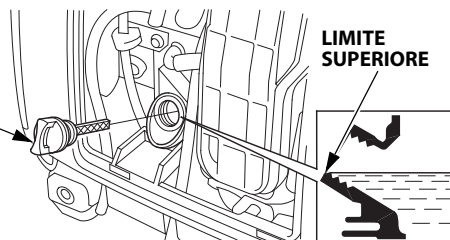
VITE COPERCHIO VANO
DI MANUTENZIONE



COPERCHIO VANO
DI MANUTENZIONE

TAPPO DI
RIEMPIMENTO
OLIO

LIMITE
SUPERIORE



Lavarsi le mani con acqua e sapone dopo aver manipolato l'olio esausto.

NOTA:

Smaltire l'olio esausto secondo metodi e procedure conformi al rispetto dell'ambiente. Si consiglia di consegnare l'olio esausto in un contenitore sigillato alla stazione di servizio locale per il recupero. Non gettare l'olio nel contenitore dei rifiuti urbani né versarlo a terra.

2. MANUTENZIONE DEL FILTRO DELL'ARIA

Un filtro sporco riduce il passaggio dell'aria al carburatore. Per evitare un funzionamento irregolare del carburatore, controllare regolarmente il filtro dell'aria. Effettuare una manutenzione più frequente se si utilizza il generatore in ambienti particolarmente polverosi.

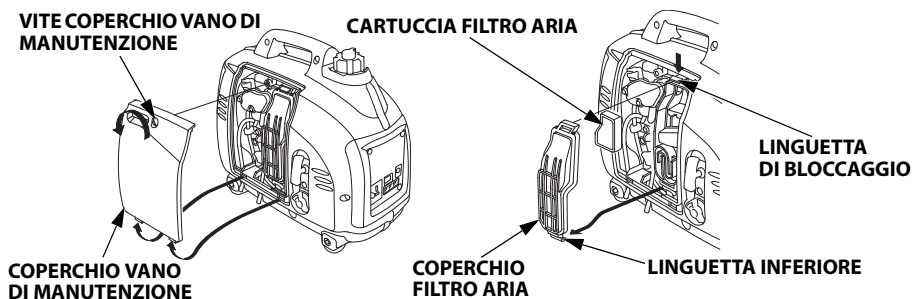
⚠ AVVERTENZA

Non utilizzare benzina o solventi ad alto grado di infiammabilità per la pulizia. Questi sono infiammabili e, in determinate condizioni, esplosivi.

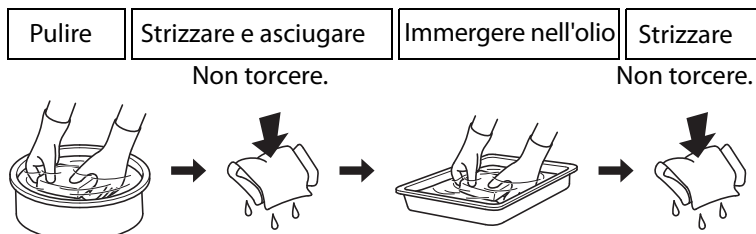
ATTENZIONE:

Non azionare mai il generatore in assenza del filtro dell'aria. Ciò potrebbe causare una rapida usura del motore.

1. Allentare la vite del coperchio del vano di manutenzione e rimuovere la copertura.
2. Premere la linguetta situata sull'estremità superiore del corpo del filtro aria e rimuovere il coperchio del filtro.



3. Lavare in acqua calda e sapone, risciacquare e far asciugare perfettamente, oppure lavare in un solvente con alto punto di infiammabilità e lasciare asciugare. Immergere l'elemento in olio motore pulito e strizzarlo per eliminare l'olio in eccesso. Se nell'elemento in spugna dovesse esserci una quantità eccessiva di olio residuo, all'avviamento del motore si formerà del fumo.



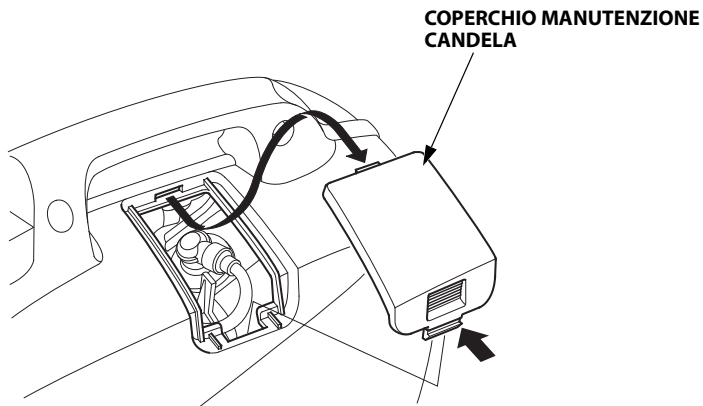
4. Reinstallare la cartuccia del filtro aria.
5. Installare nuovamente il coperchio del filtro aria inserendo le linguette inferiori e la linguetta di chiusura.
6. Reinstallare il coperchio del vano di manutenzione e fissarlo in posizione serrando saldamente la vite.

3. MANUTENZIONE CANDELE

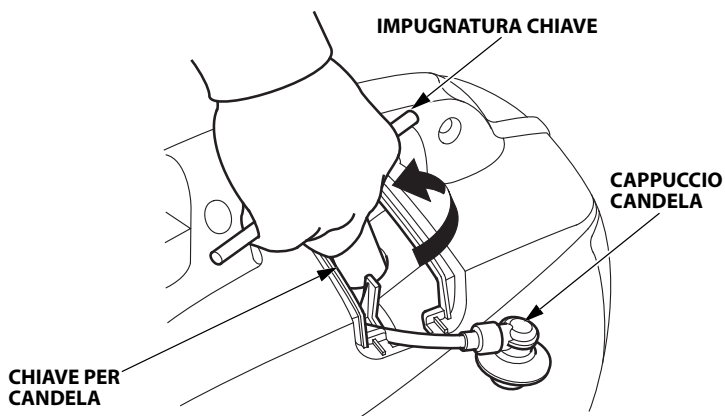
CANDELA CONSIGLIATA: LR4C-E (NGK)

Per garantire un funzionamento ottimale del motore, la distanza tra gli elettrodi deve essere corretta e la superficie dell'elettrodo non deve presentare depositi.

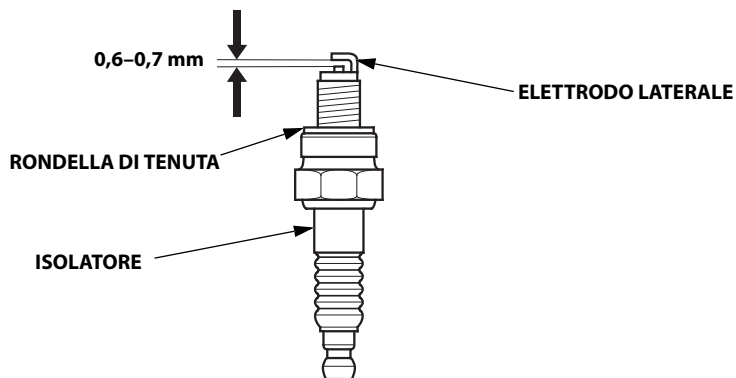
1. Rimuovere il coperchio del vano manutenzione candela.



2. Rimuovere la pipetta della candela.
3. Pulire la sporcizia presente attorno alla base della candela.
4. Rimuovere la candela con l'apposita chiave.



5. Ispezionare visivamente la candela. Scartare la candela se l'isolatore appare rotto, scheggiato o contaminato. Pulire la candela con una spazzola metallica nel caso in cui si intenda riutilizzarla.
6. Misurare la distanza fra gli elettrodi con uno spessimetro.
Se necessario correggere la distanza piegando con cautela l'elettrodo laterale.
La distanza deve essere:
0,6–0,7 mm



7. Avvitare la candela manualmente, prestando la massima attenzione per evitare di danneggiare la filettatura.
8. Dopo aver avvitato manualmente la nuova candela, serrare di 1/2 giro con una chiave fino a comprimere la rondella di tenuta.
Se si reinstalla una candela usata, serrarla di 1/8 - 1/4 di giro dopo averla avvitata manualmente.

COPPIA DI SERRAGGIO: 12 N·m

9. Reinstallare saldamente la pipetta sulla candela.
10. Reinstallare il del vano manutenzione candela.

ATTENZIONE:

- **La candela deve essere ben serrata. Una candela serrata in modo non corretto può diventare molto calda e danneggiare così il generatore.**
- **Non usare mai una candela che abbia un grado termico non adeguato.**

9. TRASPORTO/STOCCAGGIO

Per evitare fuoriuscite di carburante durante il trasporto o l'immagazzinamento temporaneo, fissare il generatore in verticale nella normale posizione di funzionamento con l'interruttore del motore su OFF.

Ruotare la leva di sfiato del tappo carburante in senso antiorario, verso la posizione OFF.

Lasciar raffreddare il motore prima di posizionare la leva di sfiato del tappo carburante su OFF.

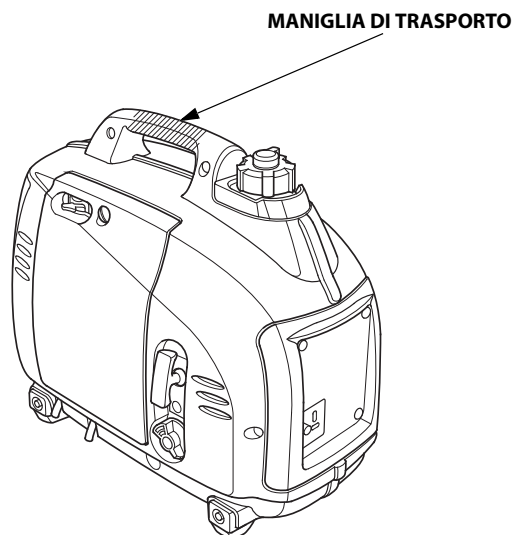
⚠ AVVERTENZA

Durante il trasporto del generatore:

- **Non riempire eccessivamente il serbatoio carburante (non deve esserci carburante nel bocchettone di riempimento).**
- **Non mettere in funzione il generatore mentre è ancora sul mezzo di trasporto. Scaricarlo dal mezzo ed azionarlo in un'area ben aerata.**
- **Nel caricare il generatore su un mezzo di trasporto, evitare di esporlo alla luce diretta del sole. Se il generatore viene lasciato all'interno di un veicolo per molte ore, l'elevata temperatura interna potrebbe far evaporare la benzina e causare un'esplosione.**
- **Non guidare per un periodo prolungato su strade dissestate con il generatore a bordo. Se ciò fosse necessario, procedere prima a rimuovere il carburante dal serbatoio del generatore.**

NOTA:

Trasportare il generatore mediante l'apposita maniglia di trasporto (area tratteggiata nella figura sottostante).



Prima di immagazzinare l'apparecchio per un periodo prolungato:

1. Accertarsi che l'area di stoccaggio sia priva di umidità e che non sia eccessivamente polverosa.
2. Scaricare il carburante.

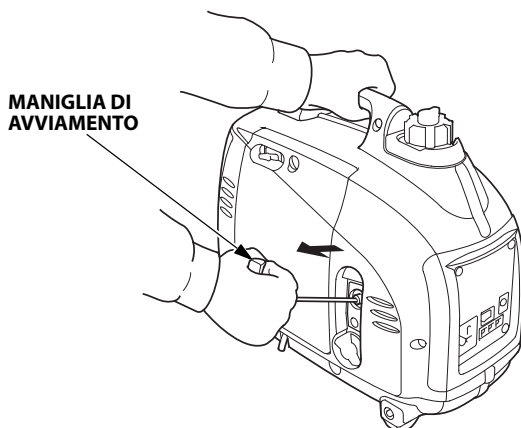
⚠ AVVERTENZA

La benzina è estremamente infiammabile e, in determinate condizioni, esplosiva. Eseguire l'operazione in un luogo ben ventilato e a motore spento. Non fumare e non avvicinare fiamme o scintille mentre si svolge questa procedura.

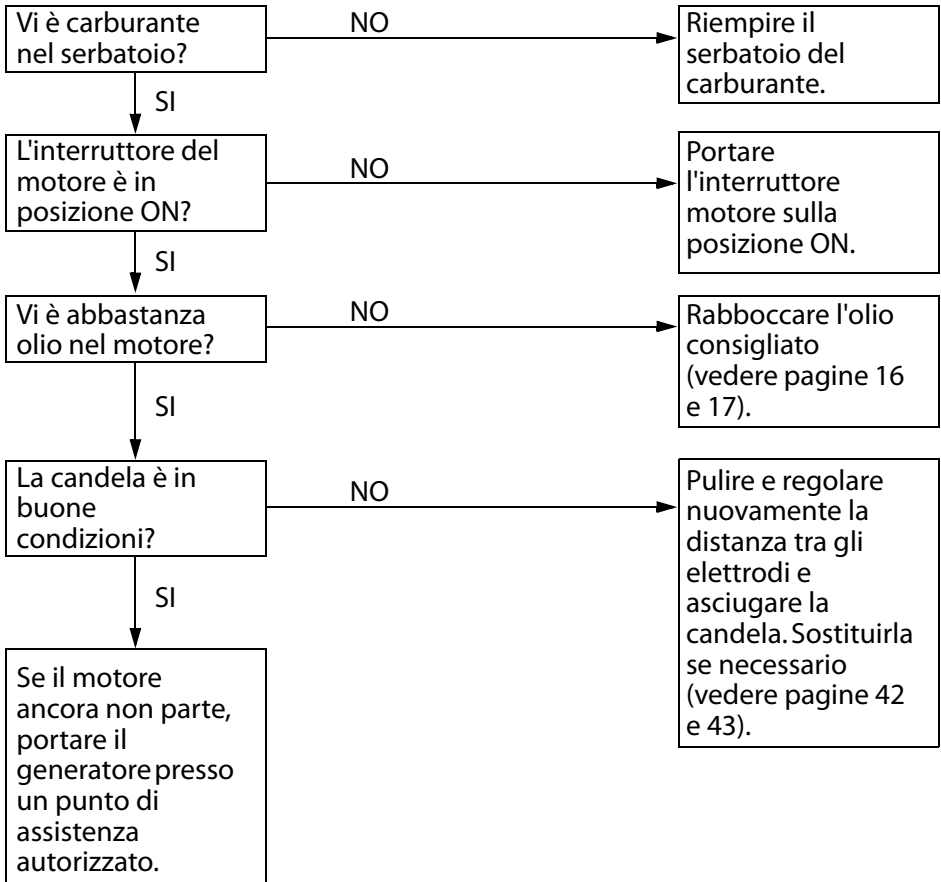
- a. Scaricare tutta la benzina dal serbatoio del carburante in un contenitore omologato per la benzina. Si consiglia di utilizzare una pompa manuale per benzina reperibile in commercio. Non utilizzare una pompa elettrica. Installare nuovamente il filtro carburante e il tappo di riempimento carburante.
- b. Allentare la vite del coperchio del vano di manutenzione e rimuovere la copertura (vedere pagina 40).
- c. Rimuovere la vite di spurgo del carburatore e scaricare la benzina in un apposito contenitore.
- d. Rimuovere il coperchio del vano manutenzione candela e il cappuccio della candela (vedere pagina 42).
- e. Portare l'interruttore del motore in posizione ON (vedere pagina 21).
- f. Tirare la maniglia di avviamento (vedere pagina 22) per 3 o 4 volte, al fine di scaricare il carburante dalla pompa del carburante in un contenitore di tipo idoneo.
- g. Portare l'interruttore del motore in posizione OFF.
- h. Reinstallare la vite di spurgo del carburatore.



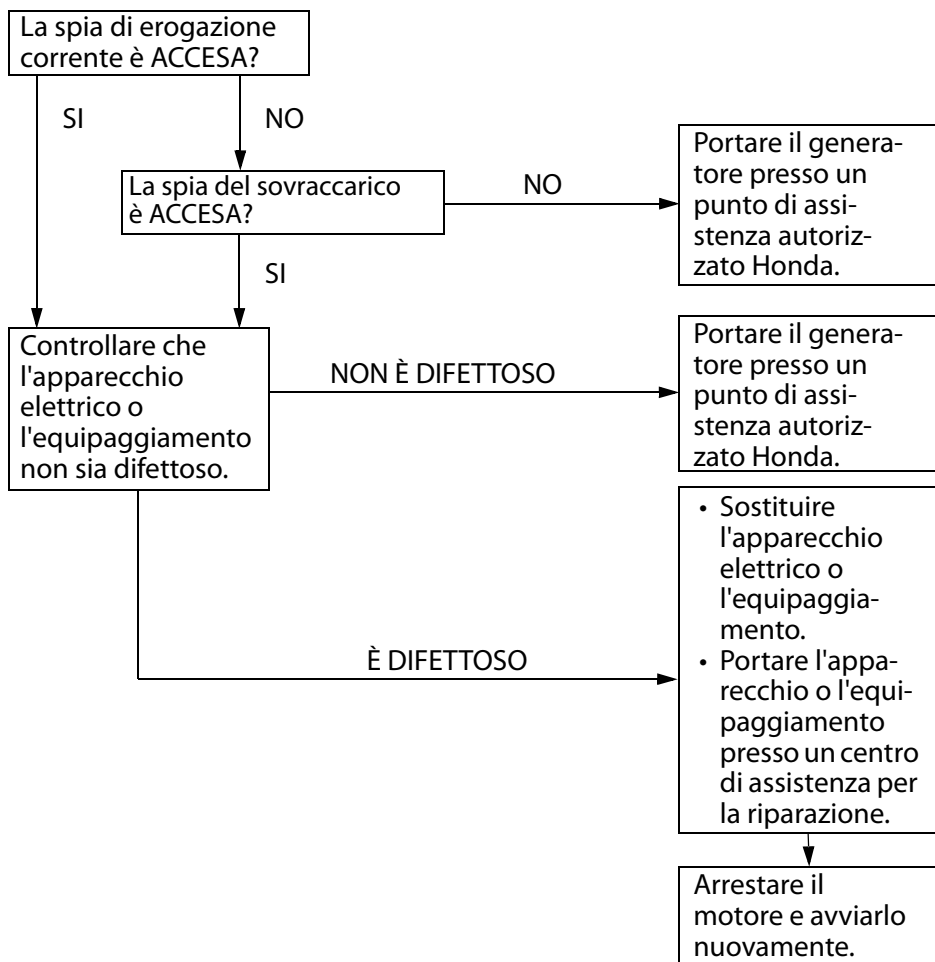
-
3. Sostituire l'olio motore (vedere pagina 40).
 4. Rimuovere la candela e versare un cucchiaino di olio motore pulito all'interno del cilindro. Avviare il motore più volte per distribuire l'olio, quindi reinstallare la candela.
 5. Reinstallare il cappuccio della candela e il coperchio del vano manutenzione candela, assicurandosi che entrambi i componenti siano saldamente fissati in posizione.
 6. Reinstallare il coperchio del vano di manutenzione e fissarlo in posizione serrando saldamente la vite.
 7. Tirare lentamente l'impugnatura di avviamento fino ad avvertire una certa resistenza. A questo punto, il pistone risale nella sua fase di compressione, con le valvole di aspirazione e di scarico chiuse. Immagazzinando il motore in questa condizione è possibile proteggerlo dalla corrosione interna.



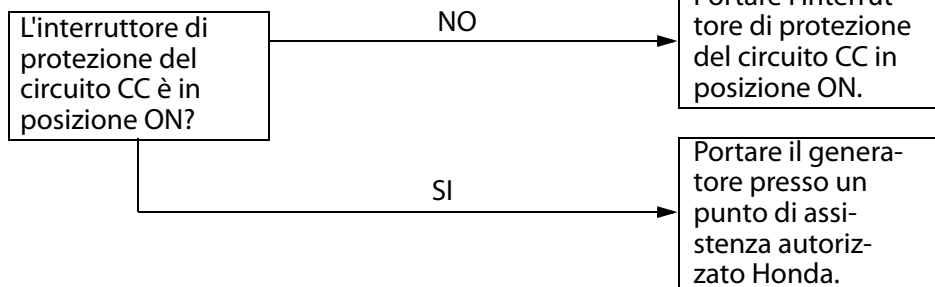
Se il motore non si avvia:



L'apparecchio collegato al generatore non funziona:



Assenza di elettricità nella presa CC:



Dimensioni e peso

Modello	EU10iT1	
Tipo	G, B, F, W, CL, U	GW1
Codice descrittivo	EAAT	
Lunghezza	451 mm	456 mm
Larghezza	242 mm	
Altezza	379 mm	
Peso a secco	13 kg	

Motore

Modello	GXH50T	
Tipo di motore	4 tempi, valvola in testa, monocilindrico	
Cilindrata	49,4 cm ³	
Alesaggio × corsa	41,8 × 36,0 mm	
Rapporto di compressione	8,0:1	
Regime del motore	4.000–6.000 min ⁻¹ 5.500–6.000 min ⁻¹ (con interruttore di accelerazione Eco su OFF)	
Sistema di raffreddamento	Ad aria forzata	
Sistema di accensione	Completamente transistorizzato	
Capacità olio motore	0,25 litri	
Capacità serbatoio carburante	2,1 litri	
Candela	LR4C-E (NGK)	

[Emissioni di anidride carbonica (CO₂)*]

Fare riferimento a "Elenco informazioni sul CO₂" su

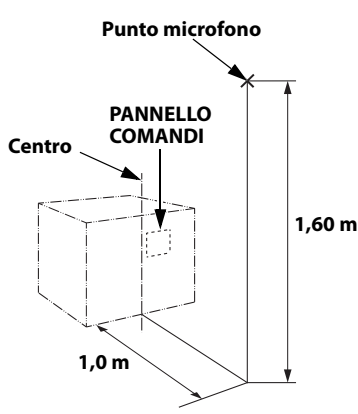
www.honda-engines-eu.com/co2

* La misurazione di CO₂ è ottenuta tramite un test durante ciclo fisso in condizioni di laboratorio su un motore (principale) rappresentativo del tipo di motore (serie di motore) e non implica e non esprime garanzia di sorta relativamente alle prestazioni di un determinato motore.

Generatore

Modello	EU10iT1		
Tipo	G, GW1, B, F, W, CL	U	
Uscita CA	Tensione nominale	230 V	240 V
	Frequenza nominale	50 Hz	50 Hz
	Amperaggio nominale	3,9 A	3,8 A
	Potenza nominale	0,9 k VA	
	Potenza massima	1,0 k VA	
Uscita nominale CC	Solo per carica di batterie per autotrazione da 12 V. 12 V, 8 A		

Rumorosità

Modello	EU10iT1	
Tipo	G, GW1, B, F, W, CL	U
Livello di pressione acustica nella postazione di lavoro (2006/42/CE)	67 dB (A) * (con interruttore di accelerazione Eco su ON)	–
		
Incertezza	–	–
Livello di potenza acustica misurata (2000/14/CE, 2005/88/CE)	84 dB (A) (con interruttore di accelerazione Eco su ON)	–
Incertezza	3 dB (A)	–
Livello di potenza acustica garantita (2000/14/CE, 2005/88/CE)	87 dB (A) (con interruttore di accelerazione Eco su ON)	–

* Non superiore a 70 dB (A)

“Le cifre fornite rappresentano i livelli di emissione e non corrispondono necessariamente ai livelli di sicurezza. Sebbene esista una correlazione tra i livelli di emissione e quelli di esposizione, non è possibile determinare con certezza se siano necessarie ulteriori precauzioni. Tra i fattori che influiscono sull'effettivo livello di esposizione del personale vi sono le caratteristiche del luogo di lavoro, le altre fonti di rumore, come il numero di macchinari e altri processi in corso nell'area, nonché il tempo di esposizione al rumore. Il livello di esposizione consentito può variare a seconda del paese. Tuttavia queste informazioni consentono all'utente di valutare meglio i rischi e i pericoli”.

NOTA:

Le specifiche sono soggette a variazioni senza preavviso.

INDICE

(Vedere il retro della copertina a fine manuale)

Tipi G, GW1, B, F, W, CL	W-1
Tipo U	W-2

ABBREVIAZIONI

Simbolo	Nome parte
ACOR	Presa di uscita CA
B	Tipo B
CL	Tipo CL
COT	Presa composita
CPB	Blocco pannello comandi
DC, D	Diodo CC
DCOR	Presa di uscita CC
DC, W	Avvolgimento CC
EcoSw	Interruttore accelerazione Eco
EgB	Blocco motore
EgG	Massa motore
ESw	Interruttore motore
ExW	Avvolgimento di eccitazione
F	Tipo F
FrB	Blocco telaio
FrG	Massa telaio
GeB	Blocco generatore
G, GW1	Tipi G, GW1
GT	Terminale di terra
IB	Gruppo inverter
IgC	Bobina di accensione
IU	Inverter
MW	Avvolgimento principale
OAL	Spia allarme olio
OI	Spia sovraccarico
OLSw	Interruttore livello olio
PC	Bobina a impulsi
PL	Spia di erogazione corrente
SP	Candela
SpU	Unità di accensione
StpM	Motore passo-passo
SW	Avvolgimento secondario
W	Tipo W

CODICE COLORE CAVO





BI	NERO
Y	GIALLO
Bu	BLU
G	VERDE
R	ROSSO
W	BIANCO
Br	MARRONE
Lg	VERDE CHIARO
Gr	GRIGIO
Sb	CELESTE
O	ARANCIONE
P	ROSA

COLLEGAMENTI DEGLI INTERRUTTORI

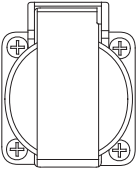

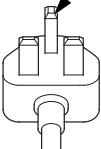
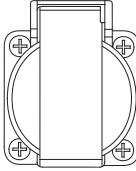

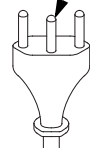
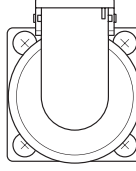


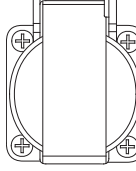
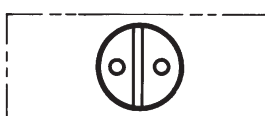
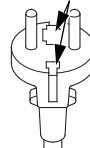
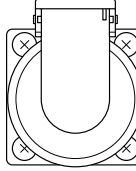
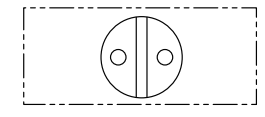
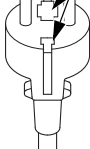
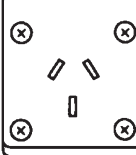

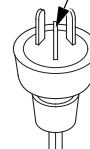
INTERRUTTORE MOTORE

	G	BI
OFF	○	○
ON		

INTERRUTTORE ACCELERAZIONE ECO

	R/W	R/Y
ON		
		
		
OFF		○

PRESA

Tipo	Forma		Spina
B			TERMINALE DI TERRA 
W			TERMINALE DI TERRA 
F			TERMINALE DI TERRA 
G, CL			TERMINALE DI TERRA 
GW1			TERMINALE DI TERRA 
U			TERMINALE DI TERRA 

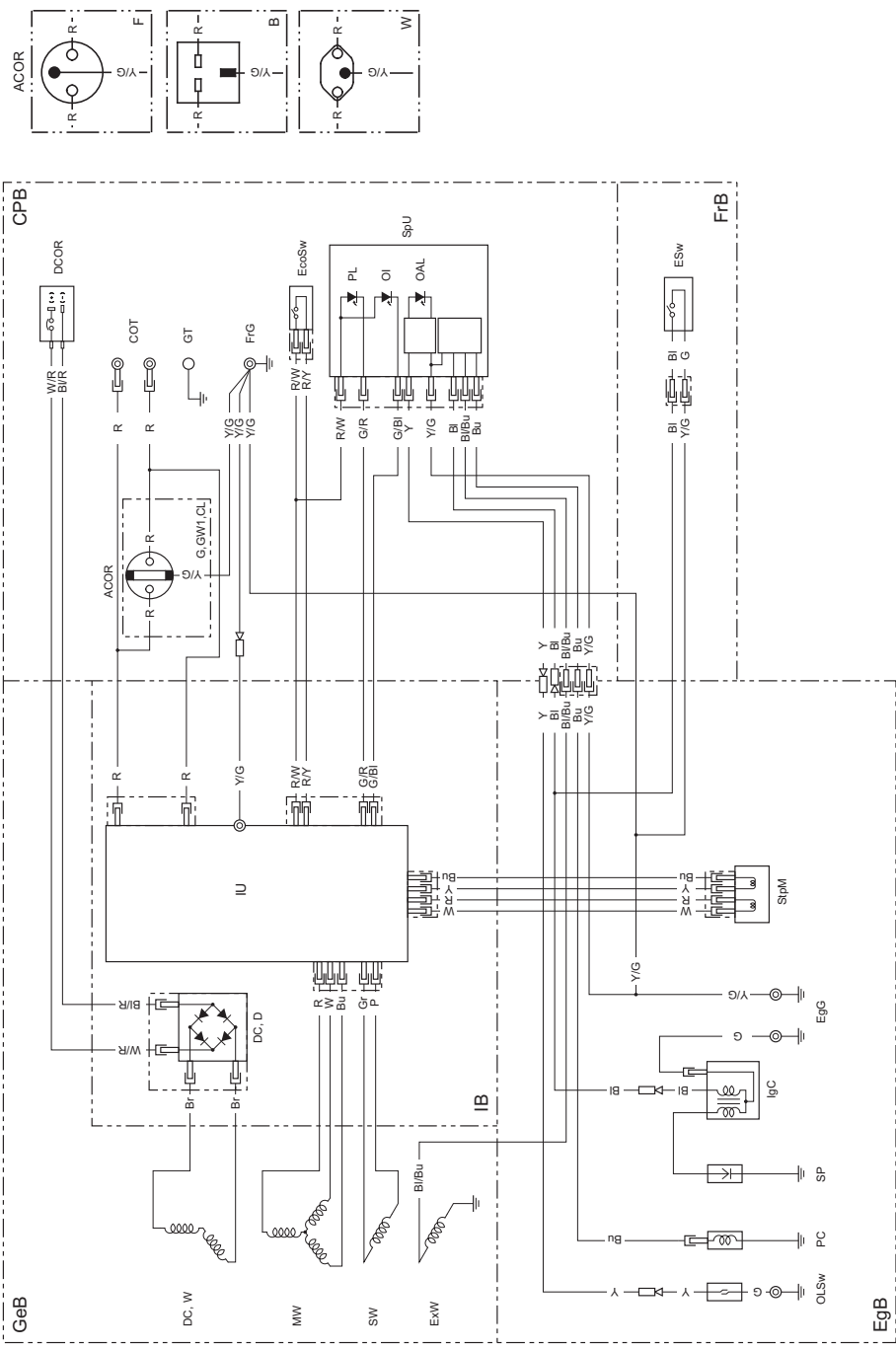
WIRING DIAGRAM

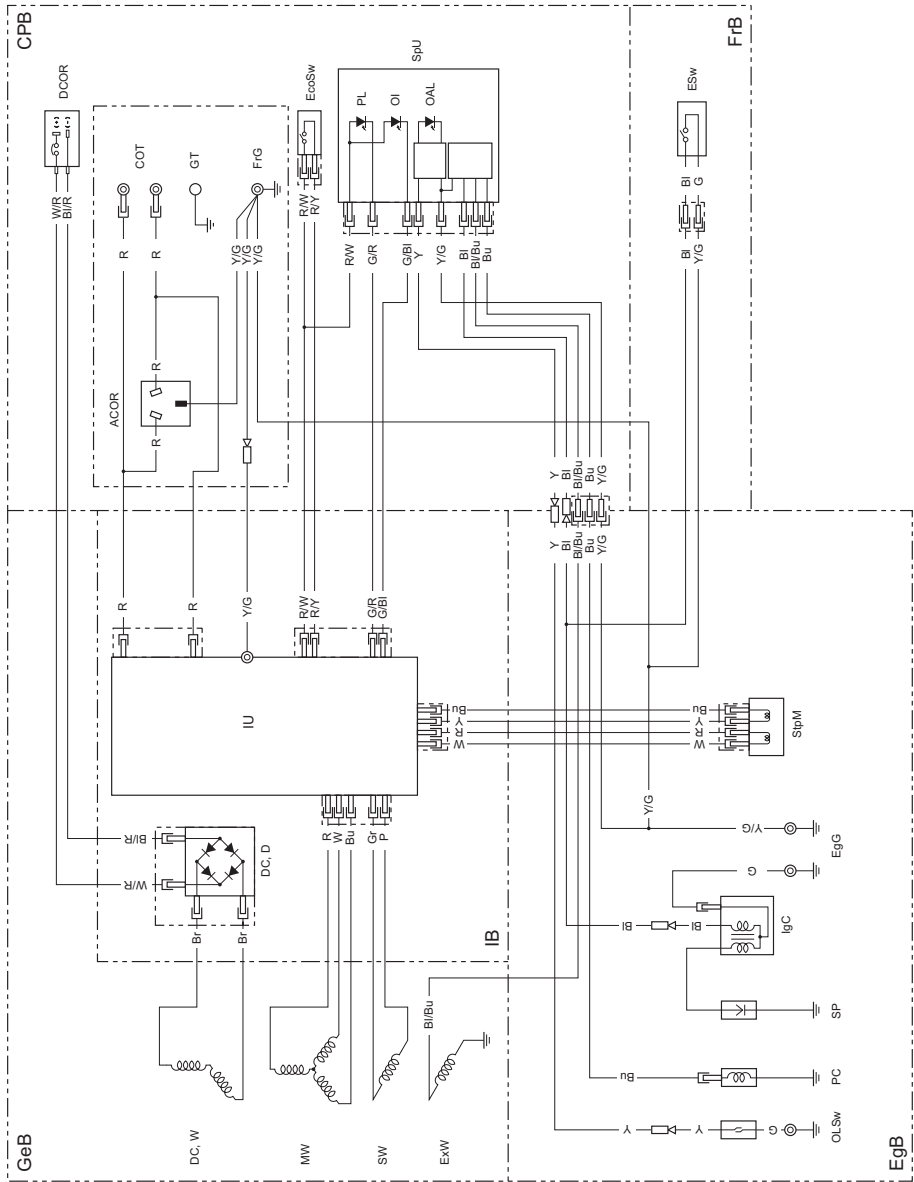
SCHÉMA DE CABLAGE

SCHALTPLAN

DIAGRAMA DE CONEXIONES

DIAGRAMMA DEI COLLEGAMENTI





MAJOR Honda DISTRIBUTOR ADDRESSES

For further information, please contact Honda Customer Information Centre at the following address or telephone number:

ADRESSES DES PRINCIPAUX CONCESSIONNAIRES Honda

Pour plus d'informations, s'adresser au Centre d'informations clients Honda à l'adresse ou numéro de téléphone suivants:

ADRESSEN DER WICHTIGSTEN Honda-HAUPTHÄNDLER

Weitere Informationen erhalten Sie gerne vom Honda-Kundeninformationszentrum unter der folgenden Adresse oder Telefonnummer:

DIRECCIONES DE LOS PRINCIPALES CONCESIONARIOS Honda

Para obtener más información, póngase en contacto con el Centro de información para clientes Honda en la dirección o número de teléfono siguientes:

ELENCO DEI MAGGIORI DISTRIBUTORI Honda IN EUROPA

Per ulteriori informazioni rivolgersi al Centro informazioni clienti Honda al seguente indirizzo o numero telefonico:

AUSTRIA

Honda Motor Europe Ltd

Hondastraße 1

2351 Wiener Neudorf

Tel.: +43 (0)2236 690 0

Fax: +43 (0)2236 690 480

<http://www.honda.at>

✉ HondaPP@honda.co.at

BALTIC STATES (Estonia/Latvia/ Lithuania)

NCG Import Baltics OU

Meistri 12

13517 Tallinn

Harju County Estonia

Tel.: +372 651 7300

Fax: +372 651 7301

✉ info.baltic@ncgimport.com

BELARUS

JV Scanlink Ltd

Montazhnikov lane 4th, 5-16

Minsk 220019

Republic of Belarus

Tel.: +375172349999

Fax: +375172380404

✉ honda@jpmotors.lt

BELGIUM

Honda Motor Europe Ltd

Doornveld 180-184

1731 Zellik

Tel.: +32 2620 10 00

Fax: +32 2620 10 01

<http://www.honda.be>

✉ bh_pe@honda-eu.com

BULGARIA

Premium Motor Ltd

Andrey Lyapchev Blvd no 34

1797 Sofia

Bulgaria

Tel.: +3592 423 5879

Fax: +3592 423 5879

<http://www.hondamotor.bg>

✉ office@hondamotor.bg

CROATIA

AS Domžale Moto center d.o.o.

Brezence

SI-8216 Mirna Peč

Tel.: +386 1 562 37 00

<http://www.honda-as.com>

✉ info@honda-as.com

CYPRUS

Powerline Products Ltd

Cyprus - Nicosia

Vasilias 18 2232 Latsia

Tel.: 0035799490421

✉ info@powerlinecy.com

<http://www.powerlinecy.com>

CZECH REPUBLIC

BG Technik cs, a.s.

U Zavodiste 251/8

15900 Prague 5 - Velka

Chuchle

Tel.: +420 2 838 70 850

Fax: +420 2 667 111 45

<http://www.honda-stroje.cz>

DENMARK

TIMA A/S

Ryttermarken 10

DK-3520 Farum

Tel.: +45 36 34 25 50

Fax: +45 36 77 16 30

<http://www.tima.dk>

FINLAND

OY Brandt AB.

Tuupakantie 7B

01740 Vantaa

Tel.: +358 207757200

Fax: +358 9 878 5276

<http://www.brandt.fi>

FRANCE

Honda Motor Europe Ltd

Division Produit d'Equipement

Parc d'activités de Pariest,

Allée du 1er mai

Croissy Beaubourg BP46, 77312

Marne La Vallée Cedex 2

Tel.: 01 60 37 30 00

Fax: 01 60 37 30 86

<http://www.honda.fr>

✉ espace-client@honda-eu.com

GERMANY

Honda Deutschland Niederlassung der Honda Motor Europe Ltd.

Hanauer Landstraße 222-224

D-60314 Frankfurt

Tel.: 01805 20 20 90

Fax: +49 (0)69 83 20 20

<http://www.honda.de>

✉ info@post.honda.de

GREECE

Technellas S.A.

92 Athinon Ave
10442 Athens, Greece
Tel.: +30 210 519 31 10
Fax: +30 210 519 31 14
✉ mail@technellas.gr

HUNGARY

MP Motor Co., Ltd.

Kamaraerdei ut 3.
2040 Budaors
Tel.: +36 23 444 971
Fax: +36 23 444 972
<http://www.hondakisgepek.hu>
✉ info@hondakisgepek.hu

IRELAND

Two Wheels Ltd

M50 Business Park, Ballymount
Dublin 12
Tel.: +353 1 4381900
Fax: +353 1 4607851
<http://www.hondaireland.ie>
✉ sales@hondaireland.ie

ISRAEL

Mayer's Cars and Trucks Co.Ltd. - Honda Division

Shevach 5, Tel Aviv, 6777936
Israel
+972-3-6953162
✉ OrenBe@mct.co.il

ITALY

Honda Motore Europe Ltd

Via della Cecchignola, 13
00143 Roma
Tel.: +848 846 632
Fax: +39 065 4928 400
<http://www.hondaitalia.com>
✉ info.power@honda-eu.com

MACEDONIA

AS Domžale Moto center d.o.o.

Brezence
SI-8216 Mirna Peč
Tel.: +386 1 562 37 00
<http://www.honda-as.com>
✉ info@honda-as.com

MALTA

The Associated Motors Company Ltd.

New Street in San Gwakkinn Road
Mriehel Bypass, Mriehel QRM17
Tel.: +356 21 498 561
Fax: +356 21 480 150
✉ mgalea@gasanzammit.com

NORWAY

Berema AS

P.O. Box 454 1401 Ski
Tel.: +47 64 86 05 00
Fax: +47 64 86 05 49
<http://www.berema.no>
✉ berema@berema.no

POLAND

Aries Power Equipment

Puławska 467
02-844 Warszawa
Tel.: +48 (22) 861 43 01
Fax: +48 (22) 861 43 02
<http://www.ariespower.pl>
<http://www.mojahonda.pl>
✉ info@ariespower.pl

PORTUGAL

GROW Produtos de Forca Portugal

Rua Fontes Pereira de Melo, 16
Abrunheira, 2714-506 Sintra
Tel.: +351 211 303 000
Fax: +351 211 303 003
<http://www.grow.com.pt>
✉ geral@grow.com.pt

ROMANIA

Agrisorg SRL

Sacadat Str Principala
Nr 444/A Jud. Bihor
Romania
Tel.: (+4) 0259 458 336
✉ info@agrisorg.com

SERBIA & MONTENEGRO

AS Domžale Moto center d.o.o.

Brezence
SI-8216 Mirna Peč
Tel.: +386 1 562 37 00
<http://www.honda-as.com>
✉ info@honda-as.com

SLOVAK REPUBLIC

**Honda Motor Europe Ltd
Slovensko, organizačná zložka**

Prievozká 6 821 09 Bratislava

Tel.: +421 2 32131111

Fax: +421 2 32131112

<http://www.honda.sk>

SLOVENIA

AS Domžale Moto center d.o.o.

Brezence

SI-8216 Mirna Peč

Tel.: +386 1 562 37 00

<http://www.honda-as.com>

✉ info@honda-as.com

SPAIN & all Provinces

Greens Power Products, S.L.

Poligono Industrial Congost –

Av Ramon Ciurans n°2

08530 La Garriga - Barcelona

Tel.: +34 93 860 50 25

Fax: +34 93 871 81 80

<http://www.hondaencasa.com>

SWEDEN

**Honda Motor Europe Ltd filial
Sverige**

Box 31002 - Långhusgatan 4

215 86 Malmö

Tel.: +46 (0)40 600 23 00

Fax: +46 (0)40 600 23 19

<http://www.honda.se>

✉ hpesinfo@honda-eu.com

SWITZERLAND

**Honda Motor Europe Ltd.
Succursale de Satigny/Genève**

Rue de la Bergère 5

1242 Satigny

Tel.: +41 (0)22 989 05 00

Fax: +41 (0)22 989 06 60

<http://www.honda.ch>

TURKEY

**Anadolu Motor Uretim Ve
Pazarlama As**

Sekerpinar Mah

Albayrak Sok No 4

Cayirova 41420

Kocaeli

Tel.: +90 262 999 23 00

Fax: +90 262 658 94 17

<http://www.anadolumotor.com.tr>

✉ antor@antor.com.tr

UKRAINE

Dnipro Motor LLC

3, Bondarsky Alley,

Kyiv, 04073, Ukraine

Tel.: +380 44 537 25 76

Fax: +380 44 501 54 27

✉ igor.lobunets@honda.ua

UNITED KINGDOM

Honda Motor Europe Ltd

Cain Road

Bracknell

Berkshire

RG12 1 HL

Tel.: +44 (0)845 200 8000

<http://www.honda.co.uk>

"EC Declaration of Conformity" CONTENT OUTLINE
"Déclaration CE de Conformité" DESCRIPTION DE TABLE DES MATIERES
"EG-Konformitätserklärung" INHALTSÜBERSICHT
DESCRIPCIÓN GENERAL DEL CONTENIDO DE LA "Declaración de Conformidad CE"
DESCRIZIONE DEL CONTENUTO DELLA "Dichiarazione CE di Conformità"

EC Declaration of Conformity

1. The undersigned, *2, on behalf of the authorized representative, herewith declares that the machinery described below fulfils all the relevant provisions of:
- Directive 2006/42/EC on machinery
 - Directive 2014/30/EU on electromagnetic compatibility
 - Directive 2000/14/EC – 2005/88/EC on outdoor noise
 - Directive 2011/65/EU - (EU) 2015/863 on the restriction of the use of certain hazardous substances in electrical and electronic equipment

2. Description of the machinery

- a) Product: Generating sets
 b) Function: producing electrical power

c) Model	d) Type	e) Serial number
*1	*1	

3. Manufacturer

Thai Honda Manufacturing Co., Ltd.
 410 Ladkrabang Industrial Estate Lamplatu, Ladkrabang, Bangkok 10520 Thailand

4. Authorized representative and able to compile the technical documentation

Honda Motor Europe Ltd - Aalst Office
 Wijngaardveld 1 (Noord V)
 9300 Aalst - Belgium

5. References to applied standards

EN ISO 8528-13:2016
 EN 55012:2007+A1:2009
 EN 61000-6-1:2007

6. Outdoor noise Directive

- a) Measured sound power (dB(A)): *1
 b) Guaranteed sound power (dB(A)): *1
 c) Noise parameter (kW): *1
 d) Conformity assessment procedure: *2
 e) Notified body: *2

7. Done at: Aalst , BELGIUM

8. Date: *2

 *2
 Manager Homologation Department

*1: see specification page.

*2: see original EC Declaration of Conformity.

*1: voir page de spécifications

*2: voir la Déclaration CE de Conformité originale

*1: Siehe Spezifikationen-Seite

*2: Siehe ursprüngliche EG-Konformitätserklärung

*1: consulte la página de las especificaciones

*2: ver Declaración de conformidad CE original

*1: vedi la pagina delle caratteristiche tecniche

*2: V. Dichiarazione CE di Conformità originale

*1: Zie specificities pagina

*2: Zie ook de originele EG-verklaring van overeenstemming

<p>Français (French) Déclaration CE de Conformité</p> <p>1. Le sous signé, *2, de la part du représentant autorisé, déclare que la machine décrit ci-dessous répond à toutes les dispositions applicables de</p> <ul style="list-style-type: none"> * Directive Machine 2006/42/CE * Directive 2014/30/UE sur la compatibilité électromagnétique * Directive 2000/14/CE - 2005/88/CE des émissions sonores dans l'environnement des matériels destinés à être utilisés à l'extérieur des bâtiments * Directive 2011/65/UE - (UE) 2015/863 relative à la limitation de l'utilisation de certaines substances dangereuses dans les équipements électriques et électroniques <p>2. Description de la machine</p> <p>a) Produit : Générateur b) Fonction : produire du courant électrique c) Modèle d) Type e) Numéro de série</p> <p>3. Constructeur</p> <p>4. Représentant autorisé et en charge des éditions de documentation techniques</p> <p>5. Référence aux normes appliquées</p> <p>6. Référence des émissions sonores dans l'environnement des matériels destinés à être utilisés à l'extérieur des bâtiments</p> <p>a) Puissance acoustique mesurée b) Puissance acoustique garantie c) Paramètre du bruit d) Procédure d'évaluation de conformité</p> <p>e) Organisme notifié</p> <p>7. Fait à 8. Date</p>	<p>Italiano (Italian) Dichiarazione CE di Conformità</p> <p>1. Il sottoscritto, *2, in qualità di rappresentante autorizzato, dichiara qui di seguito che la macchina sotto descritta soddisfa tutte le disposizioni pertinenti delle:</p> <ul style="list-style-type: none"> * Direttiva macchine 2006/42/CE * Direttiva sulla compatibilità elettromagnetica 2014/30/UE * Direttiva sulla emissione acustica delle macchine e attrezzature destinate a funzionare all'aperto 2000/14/CE - 2005/88/CE * Direttiva 2011/65/UE - (UE) 2015/863 sulla restrizione dell'uso di determinate sostanze pericolose nelle apparecchiature elettriche ed elettroniche <p>2. Descrizione della macchina</p> <p>a) Prodotto : Generatore b) Funzione : Produzione di energia elettrica c) Modello d) Tipo e) Numero di serie</p> <p>3. Costruttore</p> <p>4. Rappresentante autorizzato e competente per la compilazione della documentazione tecnica</p> <p>5. Riferimento alle norme applicate</p> <p>6. Direttiva sulla emissione acustica delle macchine e attrezzature destinate a funzionare all'aperto</p> <p>a) Livello di potenza sonora misurato b) Livello di potenza sonora garantito c) Parametri emissione acustica d) Procedura di valutazione della conformità</p> <p>e) Organismo notificato</p> <p>7. Fatto a 8. Data</p>	<p>Deutsch (German) EG-Konformitätserklärung</p> <p>1. Der Unterzeichner, *2 erklärt hiermit im Namen der Bevollmächtigten, dass das hierunter genannte Maschine allen einschlägigen Bestimmungen der * entspricht.</p> <ul style="list-style-type: none"> * Maschinenrichtlinie 2006/42/EG * Richtlinie der Elektromagnetischen Kompatibilität 2014/30/EU * Geräuschrichtlinie im Freien 2000/14/EG - 2005/88/EG * Richtlinie 2011/65/EU - (EU) 2015/863 zur Beschränkung der Verwendung bestimmter gefährlicher Stoffe in Elektro- und Elektronikgeräten <p>2. Beschreibung der Maschine</p> <p>a) Produkt : Stromerzeuger b) Funktion : Strom produzieren c) Modell d) Typ e) Seriennummer</p> <p>3. Hersteller</p> <p>4. Bevollmächtigter und in der Position, die technische Dokumentation zu erstellen</p> <p>5. Verweis auf aufwendbare Standards</p> <p>6. Geräuschrichtlinie im Freien</p> <p>a) gemessene Lautstärke b) Schalleistungspegel c) Geräuschvorgabe d) Konformitätsbewertungs Ablauf e) Benannte Stelle</p> <p>7. Ort 8. Datum</p>
<p>Nederlands (Dutch) EG-verklaring van overeenstemming</p> <p>1. Ondergetekende, *2, in naam van de gemachtigde van de fabrikant, verklaart hiermee dat het hieronder beschreven machine voldoet aan alle toepasselijke bepalingen van :</p> <ul style="list-style-type: none"> * Richtlijn 2006/42/EG betreffende machines * Richtlijn 2014/30/EU betreffende elektromagnetische overeenstemming * Richtlijn 2000/14/EG - 2005/88/EG betreffende geluidsemissie (openlucht) * Richtlijn 2011/65/EU - (EU) 2015/863 betreffende beperking van het gebruik van bepaalde gevaarlijke stoffen in elektrische en elektronische apparatuur <p>2. Beschrijving van de machine</p> <p>a) Product : Generator b) Functie : elektriciteit produceren c) Model d) Type e) Seriennummer</p> <p>3. Fabrikant</p> <p>4. Gemachtigde van de fabrikant en in staat om de technische documentatie samen te stellen</p> <p>5. Referentie voor toegepaste normen</p> <p>6. Geluidsemissierichtlijn (openlucht)</p> <p>a) Gemeten geluidsvermogensniveau b) Gewaarborgd geluidsvermogensniveau c) Geluidspanparameter d) Conformiteitsbeoordelingsprocedure</p> <p>e) Aangemelde instantie</p> <p>7. Plaats 8. Datum</p>	<p>Dansk (Danish) EF OVERENSTEMMELSEERKLÆRING</p> <p>1. UNDERTEGNEDE, *2, PÅ VEGNE AF DEN AUTORISEREDE REPRÆSENTANT, ERKLÆRER HERMED AT MASKINEN, SOM ER BESKRIVET NEDENFOR, OPFYLDER ALLE RELEVANTE BESTEMMELSER IFØLGE:</p> <ul style="list-style-type: none"> * MASKINDIREKTIV 2006/42/EF * EMC-DIREKTIV 2014/30/EU * DIREKTIV OM STØJEMMISSION 2000/14/EF - 2005/88/EF * Direktiv 2011/65/EU - (EU) 2015/863 om begrænsning af anvendelsen af visse farlige stoffer i elektrisk og elektronisk udstyr <p>2. BESKRIVELSE AF PRODUKTET</p> <p>a) Produkt : Generator b) ANVENDELSE : Produktion af elektricitet c) Model d) TYPE e) SERIENUMMER</p> <p>3. PRODUCENT</p> <p>4. AUTORISERET REPRÆSENTANT OG I STAND TIL AT UDARBEJDE DEN TEKNISKE DOKUMENTATION</p> <p>5. Henvisning til anvendte standarder</p> <p>6. DIREKTIV OM STØJEMMISSION FRÅ MASKINER TIL UDENDØRS BRUG</p> <p>a) MÅLT LYEFFEKTNIVEAU b) GARANTERET LYEFFEKTNIVEAU c) STØJPARAMETER d) PROCEDURE FOR OVERENSSTEMMELSESVURDERING e) BEMÆNDIGET ORGAN</p> <p>7. STED 8. DATO</p>	<p>Ελληνικά (Greek) ΕΚ-Δήλωση συμμόρφωσης</p> <p>1. Ο κάτωθι υπογεγραμμένος, *2, εκ μέρους του εξουσιοδοτημένου αντιπροσώπου με το παρών δηλώνω ότι το παρακάτω περιγραφόμενο όχημα πληροί όλες τις σχετικές προδιαγραφές του:</p> <ul style="list-style-type: none"> * Οδηγία 2006/42/ΕΚ για μηχανές * Οδηγία 2014/30/ΕΕ για την ηλεκτρομαγνητική συμβατότητα * Οδηγία 2000/14/ΕΚ - 2005/88/ΕΚ για το επίπεδο θορύβου σε εξωτερικούς χώρους. * Οδηγία 2011/65/ΕΕ - (ΕΕ) 2015/863 για τον περιορισμό της χρήσης ορισμένων επικίνδυνων ουσιών σε ηλεκτρικό και ηλεκτρονικό υλικό <p>2. Περιγραφή μηχανήματος</p> <p>a) προϊόν : Ηλεκτοπαραγωγό ζεύγος b) Λειτουργία : για παραγωγή ηλεκτρικής ενέργειας c) Μοντέλο d) Τύπος e) Αριθμός σειράς παραγωγής</p> <p>3. Κατασκευαστής</p> <p>4. Εξουσιοδοτημένος αντιπρόσωπος και είναι σε θέση να καταρτίσει τον τεχνικό φάκελο</p> <p>5. Παραπομπή στα ισχύοντα πρότυπα</p> <p>6. Οδηγία επιπέδου θορύβου εξωτερικών χώρων</p> <p>a) Μετρηθείσα ηχητική ένταση b) Έγγυημένη ηχητική ένταση c) Ηχητική παράμετρος d) Διαδικασία πιστοποίησης e) Οργανισμός πιστοποίησης</p> <p>7. Η δομή ή ημερ 8. Ημερομηνία</p>
<p>Svenska (Swedish) EG-försäkran om överensstämmelse</p> <p>1. Undertecknad, *2, på uppdrag av auktoriserad representant, deklarerar härmed att maskinen beskriven nedan fullgör alla relevanta bestämmelser enligt :</p> <ul style="list-style-type: none"> * Direktiv 2006/42/EG gällande maskiner * Direktiv 2014/30/EU gällande elektromagnetisk kompatibilitet * Direktiv 2000/14/EG - 2005/88/EG gällande buller utomhus * Direktiv 2011/65/EU - (EU) 2015/863 om begränsning av användning av vissa farliga ämnen i elektrisk och elektronisk utrustning <p>2. Maskinbeskrivning</p> <p>a) Produkt : Elverk b) Funktion : producera el c) Modell d) Typ e) Serienummer</p> <p>3. Tillverkare</p> <p>4. Auktoriserad representant och ska kunna sammanställa teknisk dokumentationen</p> <p>5. Referens för tillämpad standard</p> <p>6. Direktiv för buller utomhus</p> <p>a) Uppmätt ljudnivå b) Garanterad ljudnivå c) Buller parameter d) Förfarande för bedömning e) Anmälda organ</p> <p>7. Utfärdat vid 8. Datum</p>	<p>Español (Spanish) Declaración de Conformidad CE</p> <p>1. El abajo firmante, *2, en representación del representante autorizado, adjunto declara que la máquina abajo descrita, cumple las cláusulas relevantes de:</p> <ul style="list-style-type: none"> * Directiva 2006/42/CE de maquinaria * Directiva 2014/30/UE de compatibilidad electromagnética * Directiva 2000/14/CE - 2005/88/CE de ruido exterior * Directiva 2011/65/UE - (UE) 2015/863 sobre restricciones a la utilización de determinadas sustancias peligrosas en aparatos eléctricos y electrónicos <p>2. Descripción de la máquina</p> <p>a) Producto : Generador b) Función : Producción de electricidad c) Modelo d) Tipo e) Número de serie</p> <p>3. Fabricante</p> <p>4. Representante autorizado que puede compilar el expediente técnico</p> <p>5. Referencia a normas aplicadas</p> <p>6. Directiva sobre ruido exterior</p> <p>a) Potencia sonora Medida b) Potencia sonora Garantizada c) Parámetros ruido d) Procedimiento evaluación conformidad e) Organismo notificado</p> <p>7. Realizado en 8. Fecha</p>	<p>Română (Romanian) CE -Declaratie de Conformitate</p> <p>1. Subsemnatul *2, in numele reprezentantului autorizat, declar prin prezenta faptul ca echipamentul descris mai jos indeplineste toate conditiile necesare din:</p> <ul style="list-style-type: none"> * Directiva 2006/42/CE privind echipamentul * Directiva 2014/30/UE privind compatibilitatea electromagnetica * Directiva 2000/14/CE - 2005/88/CE privind poluarea fonica in spatii deschise * Directiva 2011/65/UE - (UE) 2015/863 privind restrictiile de utilizare a anumitor substante periculoase in echipamentele electrice si electronice <p>2. Descrierea echipamentului</p> <p>a) Produsul : Motogenerator electric b) Domeniul de utilizare : generarea energiei electrice c) Model d) Tip e) Serie produs</p> <p>3. Producator</p> <p>4. Reprezentant autorizat și abilitat să realizeze documentație tehnică</p> <p>5. Referință la standardele aplicate</p> <p>6. Directiva privind poluarea fonica in spatii inchise</p> <p>a) Puterea acustica masurata b) Puterea acustica maxim garantata c) indice poluare fonica d) Procedura de evaluare a conformitatii</p> <p>e) Notificari</p> <p>7. Emisa la 8. Data</p>

<p>Português (Portuguese) Declaración CE de Conformidade</p> <p>1. O abaixo assinado, "2, declara deste modo, em nome do mandatário, que o máquina abaixo descrito cumpre todas as estipulações relevantes da:</p> <ul style="list-style-type: none"> * Directiva 2006/42/CE de máquina * Directiva 2014/30/UE de compatibilidade electromagnética * Directiva 2000/14/CE - 2005/88/CE de ruído exterior * Directiva 2011/65/UE - (UE) 2015/863 relativa à restrição do uso de determinadas substâncias perigosas em equipamentos eléctricos e electrónicos <p>2. Descrição da máquina</p> <p>a) Produto : Gerador b) Função : produção de energia eléctrica c) Modelo d) Tipo e) Número de série f) Fabricante g) Mandatário com capacidade para compilar documentação técnica h) Referência às normas aplicadas i) Directiva de ruído exterior a) Potência sonora medida b) Potência sonora garantida c) Parâmetro de ruído d) Procedimento de avaliação da conformidade e) Organismo notificado f) Feito em 8. Data</p>	<p>Polski (Polish) Deklaracja zgodności WE</p> <p>1. Niżej podpisany, "2, w imieniu upoważnionego przedstawiciela, niniejszym deklaruje, że urządzenie opisane poniżej spełnia wszystkie odpowiednie postanowienia:</p> <ul style="list-style-type: none"> * Dyrektywa Maszynowa 2006/42/WE * Dyrektywa Kompatybilności Elektromagnetycznej 2014/30/UE * Dyrektywa Hałasowa 2000/14/WE - 2005/88/WE * Dyrektywy 2011/65/UE - (UE) 2015/863 w sprawie ograniczenia stosowania niektórych niebezpiecznych substancji w sprzęcie elektrycznym i elektronicznym <p>2. Opis urządzenia a) Produkt: Agregat prądowłórczy b) Funkcja: produkcja energii elektrycznej c) Model d) Typ e) Numery seryjne f) Producent g) Upoważniony Przedstawiciel oraz osoba upoważniona do przygotowania dokumentacji technicznej h) Odniesienie do zastosowanych norm i) Dyrektywa Hałasowa a) Zmierzony poziom mocy akustycznej b) Gwarantowany poziom mocy akustycznej c) Wartość hałasu d) Procedura oceny zgodności e) Jednostka notyfikowana f) Miejsce 8. Data</p>	<p>Suomi / Suomen kieli (Finnish) EY-VAATIMUSTENMUKAISUUSVAKUUTUS</p> <p>1. Allekirjoittanut, "2 valtuuttaa valmistajan edustaja, joka tuottaa tätä etä alla mainittu kone/tuotetta täyksi kaikki seuraavia määräyksiä:</p> <ul style="list-style-type: none"> * Konedirektiivi 2006/42/EY * Direktiivi 2014/30/EU sähkömagneettinen yhteensopivuus * Direktiivi 2000/14/EY - 2005/88/EY ympäristön melu * Direktiivi 2011/65/UE - (EU) 2015/863 tietyjen vaarallisten aineiden käytön rajoittamisesta sähkö- ja elektroniikkalaitteissa <p>2. TUOTTEEN KUVAUS a) Tuote : Aggregaatti b) Toiminto : sähköntuottaminen c) Malli d) TYYPPI e) SARJANUMERO f. VALMISTAJA g. Valmistajan edustaja ja teknisten dokumenttien laatija h. Viitattu sovellettiin standardeihin i. Ympäristön meludirektiivi a) Mittauksen menetelmä b) Toimintatilan melutaso c) Melu parametrit d) Yhdenmukaisuuden arvioinnin menetelmä e) Tiedonantolain f. TEHTY 8. PÄIVÄMÄÄRÄ</p>
<p>Magyar (Hungarian) EK-megfelelőségi nyilatkozata</p> <p>1. Alulírott "2, a gyártó cég törvényes képviselőjeként nyilatkozom, hogy az átalakult gyártott gép megfelel az összes, alább felsorolt direktívának:</p> <ul style="list-style-type: none"> * 2006/42/EK Direktívának berendezésekre * 2014/30/EU Direktívának elektromágneses megfelelésre * 2000/14/EK - 2005/88/EK Direktívának kültéri zajszintre * Tanács 2011/65/EU - (EU) 2015/863 egyes veszélyes anyagok elektromos és elektronikus berendezéseken való alkalmazásának korlátozásáról <p>2. A gép leírása a) Termék : Áramfejlesztő b) Funkció : elektromos áram előállítás c) Modell d) Típus e) Sorozatszám f) Gyártó g) Meghatalmazott képviselője és képes összeállítani a műszaki dokumentációt h) Referencia az alkalmazott szabványokhoz i) Kültéri zajszint Direktíva a) Mért hangerő b) Szavatolt hangerő c) Zajszint paraméter d) Megfelelőségi becslési eljárás e) Kijelölt szervezet f) Keltetés helye g) Keltetés ideje</p>	<p>Cestina (Czech) ES – Prohlášení o shodě</p> <p>1. Podepsáný "2, jako autorizovaná osoba zde potvrzují, že stroj popsaný níže splňuje požadavky příslušných opatření:</p> <ul style="list-style-type: none"> * Směrnice 2006/42/ES pro strojířní zařizení * Směrnice 2014/30/EU stanovující technické požadavky na výrobky z hlediska elektromagnetické kompatibility * Směrnice 2000/14/ES - 2005/88/ES stanovující technické požadavky na výrobky z hlediska emisí hluku * Zařizení pro venkovní použití * Radý 2011/65/EU - (EU) 2015/863 o omezení používání některých nebezpečných látek v elektrických a elektronických zařizeních <p>2. Popis zařizení a) Výrobek : Elektrocentrála b) Funkce : Výroba elektrické energie c) Model d) Typ e) Výrobní číslo f) Výrobce g) Způsobilý zastupce a osoba pověřená kompleací technické dokumentace h) Odkaz na platné standardy i) Směrnice pro hluk pro venkovní použití a) Naměřený akustický výkon b) Garantovaný akustický výkon c) Parametr hluku d) Způsob posouzení shody e) Notifikovaná osoba f. Podepsáno v 8. Datum</p>	<p>Latviešu (Latvian) EK atbilstības deklarācija</p> <p>1. "2 ar savu parakstu zem šī dokumenta, autorizēti pārstāvja vārdā, paziņo, ka zemāk aprakstītie mašīna, atbilst visām zemāk norādīto direktīvu sadaļām:</p> <ul style="list-style-type: none"> * Direktīva 2006/42/EK par mašīnām * Direktīva 2014/30/ES attiecībā uz elektromagnētisko savietojamību * Direktīva 2000/14/EK - 2005/88/ES par trokšņa emisiju vidē * Direktīva 2011/65/ES - (ES) 2015/863 par dažu bīstamu vielu izmantošanas ierobežošanu elektriskās un elektroniskās iekārtās <p>2. Iekārtas apraksts a) Produkts : Generators iekārtas b) Funkcija : elektriskās enerģijas ražošana c) Modelis d) Tips e) Sērijas numurs f. Ražotājs g. Autorizētais pārstāvis, kas spēj sastādīt tehnisko dokumentāciju h. Atsauc uz piemērotajiem standartiem i. Ārējo trokšņu Direktīva a) Izmērītā trokšņa līmenis b) Pieļaujamais trokšņa līmenis c) Trokšņa parametri d) Atbilstības vērtējuma procedūra e) Informētā iestāde f. Vieta 8. Datums</p>
<p>Slovenčina (Slovak) ES vyhlásenie o zhode</p> <p>1. Dolepísaný, "2, ako autorizovaný zástupca výrobcu, týmto vyhlasuje, že uvedený stroj/e je v zhode s nasledovnými smernicami:</p> <ul style="list-style-type: none"> * Smernica 2006/42/ES (Strojné zaradenia) * Smernica 2014/30/EU (Elektromagnetická kompatibilita) * Smernica 2000/14/ES - 2005/88/ES (Emisie hluku) * Radý 2011/65/EU - (EU) 2015/863 o obmedzení používania určitých nebezpečných látok v elektrických a elektronických zaradeniach <p>2. Popis stroja a) Produkt : Elektrocentrála b) Funkcia : Výroba elektrického napätia c) Model d) Typ e) Výrobné číslo f) Výrobca g) Autorizovaný zástupca schopný zostaviť technickú dokumentáciu h) Referencia na použité normy i) Smernica pre emisie hluku vo voľnom priestranstve a) Nameraná hladina akustického výkonu b) Zaručená hladina akustického výkonu c) Rozmer d) Procedúra posudzovania zhody e) Notifikovaná osoba f. Miesto 8. Dátum</p>	<p>Eesti (Estonian) EU vastavusdeklaratsioon</p> <p>1. Käesolevaga kinnitab allkirjutanu, "2, volitatud esindaja nimel, et allpool kirjeldatud masina vastab kõikidele alljärgnevale direktiivide sätetele:</p> <ul style="list-style-type: none"> * Masinate direktiiv 2006/42/EÜ * Elektromagnetilise ühilduvuse direktiiv 2014/30/EÜ * Välistruu direktiiv 2000/14/EÜ - 2005/88/EÜ * Direktiiv 2011/65/EÜ - (EU) 2015/863 teatavate ohtlike ainete kasutamise piiramise kohta elektri- ja elektroonikaseadmetes <p>2. Seadmete kirjeldus a) Toode : Generator b) Funktsioon : elektrenergia tootmine c) Mudel d) Tüüp e) Seerianumber f. Tootja g. Volitatud esindaja, kes on pädev täitma tehnilist dokumentatsiooni h. Viide kohaldatavatele standarditele i. Välistruu direktiiv a) Mõõdetud helivõimsuse tase b) Lubatud helivõimsuse tase c) Mõra parameeter d) Vastavushindamismenetlus e) Teavitatud asutus f. Koht 8. Kuupäev</p>	<p>Slovensčina (Slovenian) ES izjava o skladnosti</p> <p>1. Spodaj podpisani, "2, ki je pooblaščen/a osoba in v imenu proizvajalca izjavlja, da spodaj opisana stroj ustreza vsem navedenim direktivam:</p> <ul style="list-style-type: none"> * Direktiva 2006/42/ES o strojih * Direktiva 2014/30/EU o elektromagnetni združljivosti * Direktiva 2000/14/ES - 2005/88/ES o hrupnosti * Direktiva 2011/65/EU - (EU) 2015/863 o omejevanju uporabe nekaterih nevarnih snovi v električni in elektronski opremi <p>2. Opis naprave a) Proizvod : Agregat za proizvodnjo el. energije b) Funkcija : proizvodnja električne energije c) Model d) Tip e) Serijska številka f. Proizvajalec g. Pooblaščen/i predstavnik/i ki lahko predloži tehnično dokumentacijo h. Sklic na uporabljene standarde i. Direktiva o hrupnosti a) Izmerjena zvočna moč b) Zarjavljena zvočna moč c) Parameter d) Postopek e) Postopek opravi f. Kraj 8. Datum</p>

<p>Lietuvių kalba (Lithuanian) EB atitikties deklaracija 1. Įgaliojoto atstovo vardu pasirašęs *2 patvirtina, kad žemiau aprašyta mašina atitinka visas išvardintų direktyvų nuostatas: * Mechanizmų direktyva 2006/42/EB * Elektromagnetinio suderinamumo direktyva 2014/30/ES * Triukšmo lauke direktyva 2000/14/EB - 2005/88/EB * Direktyva 2011/65/ES - (ES) 2015/863 dėl tam tikrų pavojingų medžiagų naudojimo elektros ir elektroninėje įrangoje apribojimo 2. Prietaiso aprašymas a) Gaminytis : Generatorius b) Funkcija : elektros energijos gaminimas c) Modelis d) Tipas e) Serijos numeris 3. Gamintojas 4. Įgaliojasis atstovas ir galintis sudaryti techninę dokumentaciją 5. Nuoroda į taikytus standartus 6. Triukšmo lauke direktyva a) Išmatuotas garso galingumo lygis b) Garantinis garso galingumo lygis c) Triukšmo parametras d) Tipas e) Registruota įstaiga 7. Vieta 8. Data</p>	<p>Български (Bulgarian) ЕО декларация за съответствие 1. Допълподписаният *2, от името на упълномощения представител, с настоящото декларирам, че машините, описани по-долу, отговарят на всички съответни разпоредби на: * Директива 2006/42/ЕО относно машините * Директива 2014/30/ЕО относно електромагнитната съвместимост * Директива 2000/14/ЕО - 2005/88/ЕО относно шумовите емисии на съоръжения, предназначени за употреба извън сградите * Директива 2011/65/ЕС - (ЕО) 2015/863 година относно ограничението за употребата на определени опасни вещества в електричното и електронното оборудване 2. Описание на машините a) Продукт : Генераторен комплект b) Функция : производство на електроенергия c) Модел d) Тип e) Серийн номер 3. Производител 4. Упълномощен представител и отговорник за съставяне на техническа документация 5. Препратка към приложените стандарти 6. Директива относно шумовите емисии на съоръжения, предназначени за употреба извън сградите a) Измерена звукова мощност b) Гарантирана звукова мощност c) Параметърът шум d) Процедурата за оценка на съответствието e) Нотифициран орган 7. Място на изготвяне 8. Дата на изготвяне</p>	<p>Norsk (Norwegian) EF-Samsvarserklæring 1. Undertegnede *2 på vegne av autorisert representant herved erklærer at maskineri beskrevet nedenfor innfrir relevant informasjon fra følgende forskrifter. * Maskindirektivet 2006/42/EF * Direktiv EMC: 2014/30/EU Elektromagnetisk kompatibilitet * Direktiv om støy utendørs 2000/14/EF - 2005/88/EF * Direktiv 2011/65/EU - (EU) 2015/863 om restriksjoner av bruk av visse farlige materialer i elektrisk og elektronisk utstyr.. 2. Beskrivelse av produkt a) Produkt : Generator b) Funksjon : Produsere strøm c) Modell d) Type e) Serienummer 3. Produsent 4. Autorisert representant og i stand til å utarbeide den tekniske dokumentasjonen 5. Henvisning til brukte standarder 6. Utendørs direktiv får støy a) Målt støy b) Maks støy c) Konstant støy d) Verdi vurderings prosedyre e) Gjeldende kjøretøy/kropp/stamme/skrog 7. Sted 8. Dato</p>
<p>Türk (Turkish) AT Uygunluk Beyanı 1. Aşağıda imzası bulunan *2, yetkili temsilci adına, bu yazıyla birlikte aşağıdaki makine ile ilgili tüm hükümlülüklerin yerine getirildiğini beyan etmektedir: * Makina Emniyet Yönetmeliği 2006/42/AT * Elektromanyetik Uyumluluk Yönetmeliği 2014/30/AB * Açık Alanda Kullanılan Teçhizat Tarafından Oluşturulan Çevresel Gürültü Emisyonu İle İlgili Yönetmelik 2000/14/AT-2005/88/AT * 2011/65/AB - (AB) 2015/863 elektrikli ve elektronik ekipmanlarda bazı tehlikeli maddelerin kullanımının yasaklanmasına ilişkin yönetmelik 2. Makinanın tanıtı a) Ürün : Jeneratör grubu b) İşlevi : Elektrik gücü üretimi c) Model d) Tipi e) Seri numarası 3. İmalatçı 4. Teknik dosyası hazırlamakla yetkili olan Toplulukta yerleşik yetkili temsilci 5. Uygulanan standartlara istinaden 6. Açık alan gürültü Yönetmeliği a) Ölçülen ses gücü b) Garant edilmiş ses gücü c) Gürültü parametresi d) Uygunluk değerlendirme prosedürü e) Onaylanmış kuruluş 7. Beyanın yeri : 8. Beyanın tarihi :</p>	<p>Íslenska (Icelandic) EB-Samræmisýfrýsing 1. Undirritaður *2 staðfestir hér með fyrir hönd löggiltra aðila að upplýsingar um vélbúnað hér að neðan eru tæmandi hvað varðar alla tilheyrandi málaflökka, svo sem * Leiðbeiningar fyrir vélbúnað 2006/42/EB * Leiðbeiningar fyrir rafsegulsvið 2014/30/EU * Leiðbeiningar um hávaðamengun 2000/14/EB-2005/88/EB * Tilskiljun 2011/65/EU - (EU) 2015/863 varðandi leiðbeiningar um notkun á hættulegum efnum í raf og rafenda búnaði 2. Lýsing á vélbúnaði a) Ökutæki : Rafstöðvar b) Virkin : Framleiðsla á rafmagni c) Gerð d) Tegund e) Séríal númer 3. Framleiðandi 4. Löggildir aðilar og fær um að taka saman tækniskjölín 5. Tilvisun til vídeigandi staðla 6. Leiðbeiningar um hávaðamengun a) Mældur hávaða styrkur b) Staðfestur hávaða styrkur c) Hávaða breytileiki d) Staðfesting á gæðastöðlum e) Merkingar 7. Gert hjá 8. Dagsetning</p>	<p>Hrvatski (Croatian) EK Izjava o sukladnosti 1. Potpisani, *2, u ime ovlaštenog predstavnika, ovime izjavljuje da strojevi navedeni u nastavku ispunjavaju sve važne odredbe: * Propisa za strojeve 2006/42/EK * Propisa o elektromagnetskoj kompatibilnosti 2014/30/EU * Propisa o buci na otvorenome 2000/14/EK-2005/88/EK * Direktiva 2011/65/EU - (EU) 2015/863 o ograničenju određenih opasnih supstanci u elektricnoj i elektronskoj opremi.. 2. Opis strojeva a) Proizvod : Agregat b) Funkcionalnost : proizvod električnu energiju c) Model d) Tip e) Serijski broj 3. Proizvođač 4. Ovlašteni predstavnik i osoba za sastavljanje tehničke dokumentacije 5. Referencija na primijenjene standarde 6. Propis o buci na otvorenome a) Izmjerena jačina zvuka b) Zajamčena jačina zvuka c) Parametar buke d) Postupak za ocjenu sukladnosti e) Obaviješteno tijelo 7. U 8. Datum</p>

HONDA

3QZ40602
00X3Q-Z40-6021

© Honda Motor Co., Ltd. 2020
英 仏 独 西 伊
Printed in Thailand